

Type: FMM 250 Q (60Hz, 120V)
Part no.: 72293700360



Item	Part no.	Designation	Quantity	Price (excl. VAT)¹	Status
10	31901146000	Motor housing	1	\$44.58	
20	32816066000	Control rod	1	\$7.92	
30	32805226000	Slide switch	1	\$2.81	
40	51278002110	Stator	1	\$88.02	
50	43074005000	Screw 35X45	2	\$0.78	
60	31428161000	Air guide ring	1	\$3.85	
70	30712087015	Brush holder	2	\$5.16	
75	30717193000	Connector	2	\$0.73	
80	30711129009	Carbon brush	2	\$6.77	
110	30762412990	Electronics 100-230V,50/60Hz	1	\$69.58	
120	30719642010	Connecting cable	1	\$1.46	
130	32431045000	Cable clamping piece	1	\$0.99	
140	30719641010	Connecting cable	1	\$1.46	
150	32427127000	Cover	1	\$7.68	
155	31415099000	Pressure piece	1	\$0.63	
160	43074003000	Screw 40X8	1	\$0.73	
170	43074002000	Screw 35X20	5	\$0.63	
186	30707345019	Cable with plug	1	\$20.26	
190	31413229000	Cable grommet	1	\$2.24	
210	30719644010	Connecting cable	1	\$1.46	
220	30719643010	Connecting cable	1	\$1.46	
250	53278001110	Armature	1	\$114.01	
260	41701001032	Grooved ball bearing	1	\$9.27	
270	41701007038	Grooved ball bearing	1	\$10.16	

Type: FMM 250 Q (60Hz, 120V)
Part no.: 72293700360



Item	Part no.	Designation	Quantity	Price (excl. VAT) ¹	Status
280	30508043010	Bush Set	1	\$12.08	
290	40612167000	Sealing ring	1	\$0.89	
300	41701241126	Grooved ball bearing	1	\$13.23	
310	42616046003	Circlip	1	\$0.73	
405	31508261020	Tool head	1	\$168.07	
430	32805238000	Lever	1	\$23.23	
480	32636042000	Eccentric ring	1	\$3.70	
490	40242064000	Straight pin	1	\$1.30	
495	30507220000	Bush	2	\$2.60	
500	30240271000	Clamping unit	1	\$28.02	
510	30907067000	Locking spring	1	\$1.98	
520	43064023045	Fillister head screw	1	\$0.73	
530	43074004000	Screw 35X30	4	\$0.73	
5000	33901118030	Carrying case, unfilled			
	↓				
	33901131980	Carrying case unfilled	1	\$69.11	
5200	32119122000	Handle	1	\$9.06	
5210	30232050000	Wire clamp	2		
6000	32160003014	Lubricant tube 0,085 kg	1	\$17.24	
9000	34101091210	Operating instructions	1		***

Prices valid from: 2018-02-05

¹ Recommended retail price excluded value added tax, plus perhaps transportation and packing charges.

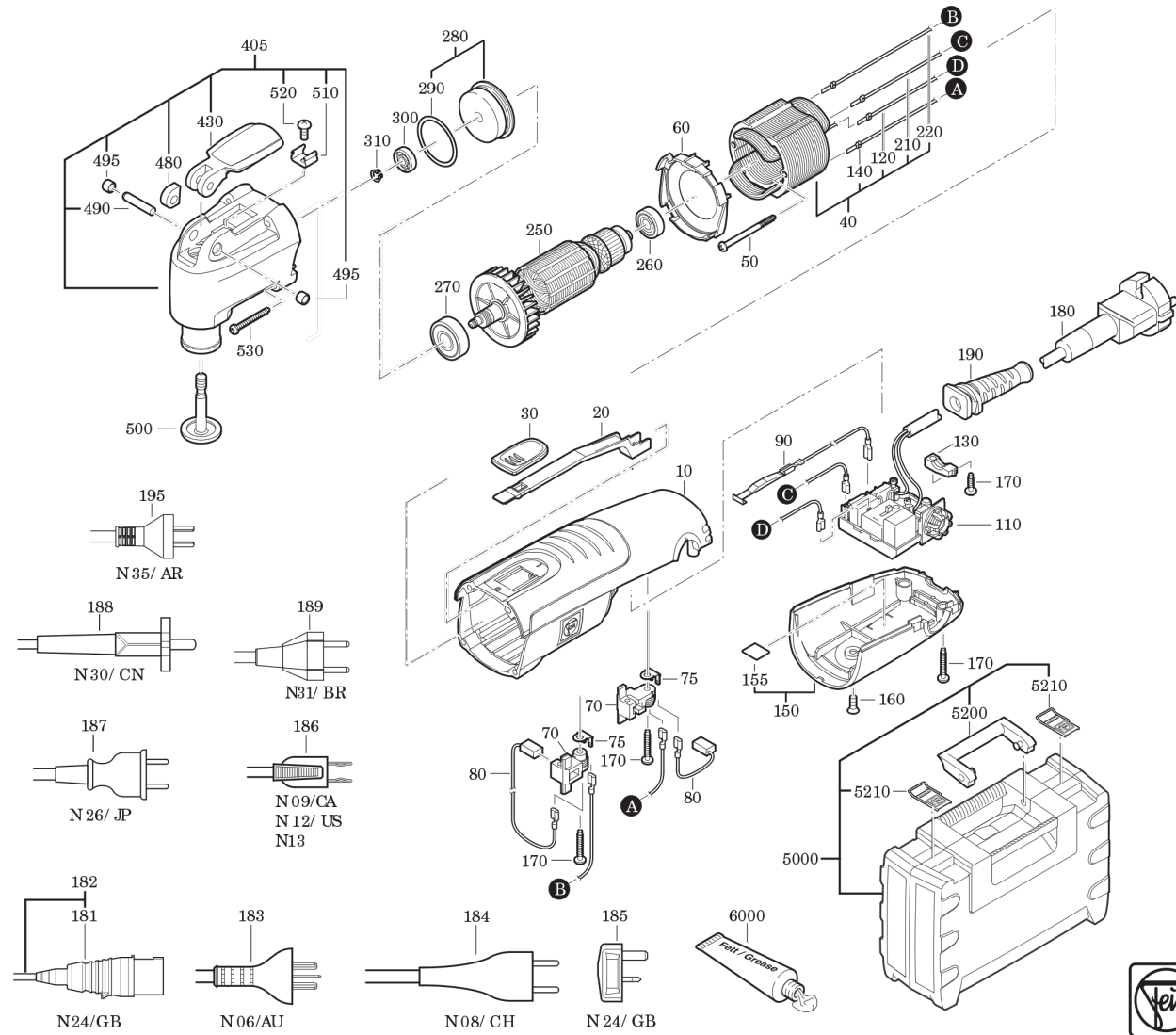
The prices valid on the day of delivery are decisive for the calculation. Subject to transmission errors and changes to technology, form and appearance.

* Only limited quantities or not available anymore. Please contact FEIN.

Type:
Part no.:

FMM 250 Q (60Hz, 120V)
72293700360

7 229 37 - FMM 250 Q



Type:
Part no.:

FMM 250 Q (60Hz, 120V)
72293700360

7 229 37 - FMM 250 Q

