

Type: FMM 350 QSL (60Hz, 120V)
Part no.: 72295209360



Item	Part no.	Designation	Quantity	Price (excl. VAT)¹	Status
10	31901173000	Motor housing	1	\$47.12	
30	32805311000	Slide switch	1	\$9.58	
70	30712087015	Brush holder	2	\$5.43	
80	30711157000	Carbon brush	2	\$8.00	
110	30762453990	Speed setting switch	1	\$104.82	
130	32431045000	Cable clamping piece	1	\$1.04	
155	31415110000	Pressure piece	4	\$3.12	
160	43074010000	Screw	7	\$0.97	
170	43074002000	Screw 35X20	2	\$0.66	
180	30707345019	Cable with plug	1	\$21.32	
190	31413233000	Cable grommet	1	\$2.46	
230	31603053010	Bearing bush	1	\$11.79	
250	53278005110	Armature	1	\$116.59	
260	41701001032	Grooved ball bearing	1	\$9.76	
270	41701007038	Grooved ball bearing	1	\$10.68	
285	32172014010	Magnet	1	\$7.84	
290	40612167000	Sealing ring	1	\$0.94	
300	41701000020	Grooved ball bearing	1	\$14.34	
310	42616046003	Circlip	1	\$0.77	
350	52278046110	Stator unit	1	\$83.44	
405	31508287040	Tool head	1	\$155.10	
430	34300000012	Lever	1		
480	33218150000	Eccentric ring	1	\$3.57	
490	40242064000	Straight pin	1	\$1.37	

Type: FMM 350 QSL (60Hz, 120V)
Part no.: 72295209360



Item	Part no.	Designation	Quantity	Price (excl. VAT) ¹	Status
495	30507220000	Bush	2	\$2.73	
510	30907067000	Locking spring	1	\$2.08	
520	43064023045	Fillister head screw	1	\$0.77	
530	43074009000	Screw	4	\$0.77	
5000	33901131920	Plastic tool cases	1		
5010	33218136000	Extractor hood	1		
5020	30601106007	Felt ring	2	\$2.63	
5030	30605112000	Adapter	1	\$5.69	
5040	33218137010	Suction unit	1		
5200	32119122000	Handle	1	\$9.53	
5210	30232050000	Wire clamp	2		
5300	33904488000	EPP insert	1		
5450	63806136220	Sanding pad set, perforated	1	\$29.43	
5500	92602091000	Dust extraction set	1	\$71.50	
6000	32160003014	Lubricant tube 0,085 kg	1	\$18.13	
9000	34101242210	Operating instructions	1		

Prices valid from: Mar. 27, 2020

¹ Recommended retail price excluded value added tax, plus perhaps transportation and packing charges.

The prices valid on the day of delivery are decisive for the calculation. Subject to transmission errors and changes to technology, form and appearance.

* This article is available from stock.

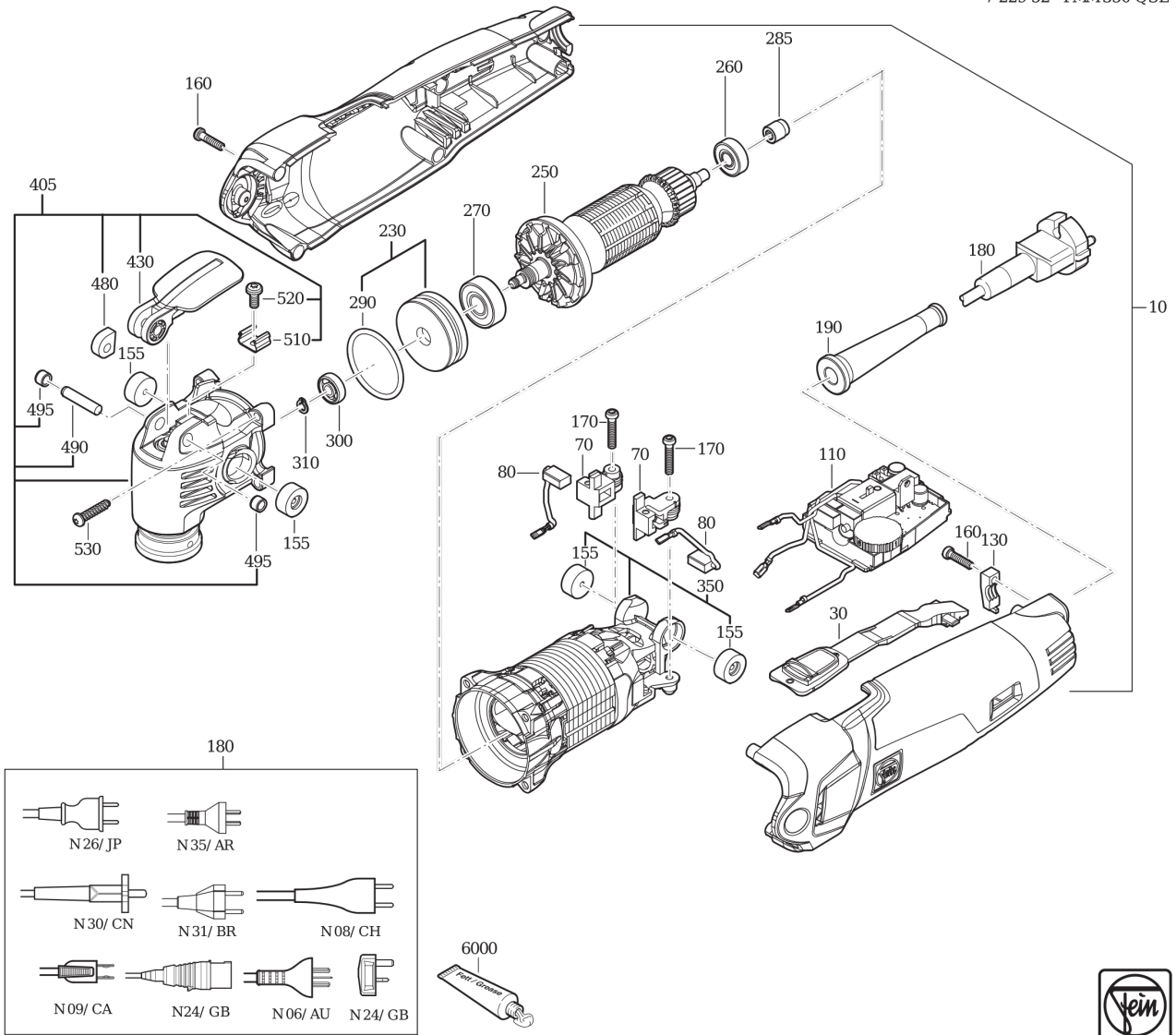
** This article has a delivery time. Please contact FEIN for details.

*** This article is no longer available.

Type:
Part no.:

FMM 350 QSL (60Hz, 120V)
72295209360

7 229 52 - FMM350 QSL



Type:
Part no.:

FMM 350 QSL (60Hz, 120V)
72295209360

7 229 52 - FMM350 QSL

