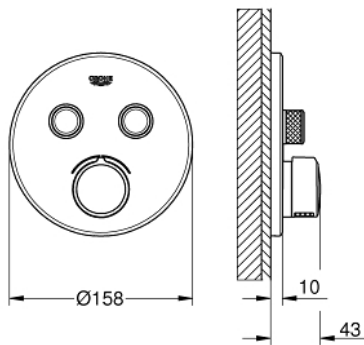
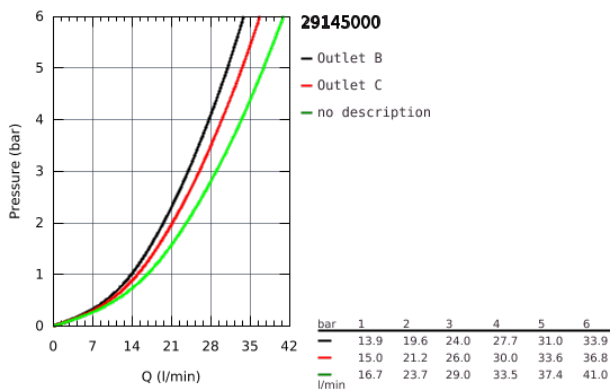


## 29 145 000 SMARTCONTROL CONCEALED MIXER WITH 2 VALVES

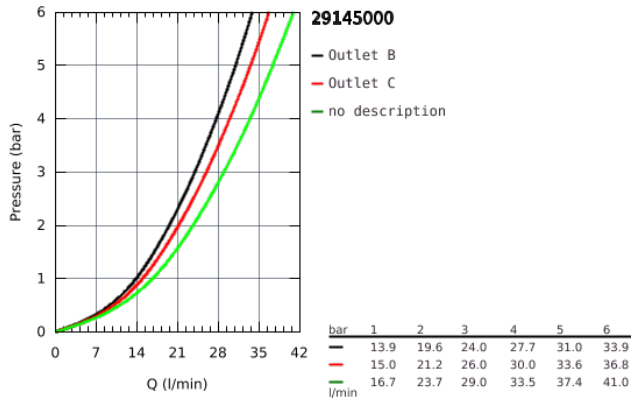


### PRODUCT DESCRIPTION

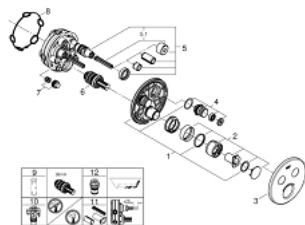
- Colour: Chrome
- set for final installation for
- GROHE Rapido SmartBox 35 600/35 604
- metal wall escutcheon with GROHE FastFixation (covered escutcheon and shaft sealing, covered fixing), retroactively 6° adjustable
- GROHE Long-Life Shine durable sparkling sheen
- GROHE SmartControl push for ON-OFF, turn for volume adjustment from GROHE Water Saving to full flow
- exchangeable symbols
- cartridge for temperature mixing
- multiple outlets can be run simultaneously
- without roughing-in-set
- flow performance: outlet B = 23 l/min outlet C = 25 l/min outlet B + C = 27 l/min



## 29 145 000 SMARTCONTROL CONCEALED MIXER WITH 2 VALVES



## 29 145 000 SMARTCONTROL CONCEALED MIXER WITH 2 VALVES



### SPARE PARTS, September 2016 – now

- 1: Mounting plate (Spare part-nr. 48363000)
  - 2: Handle (Spare part-nr. 46990000)
  - 3: Escutcheon (Spare part-nr. 46992000)
  - 4: WC push button (Spare part-nr. 48361000)
  - 5: Cartridge (Spare part-nr. 48359000)
  - 5.1: Spindle (Spare part-nr. 49088000)
  - 6: Cartridge (Spare part-nr. 46989000)
  - 7: Non-return valves (Spare part-nr. 47979000)
  - 8: Sealing washer (Spare part-nr. 48360000)
  - 9: Socket Spanner (Spare part-nr. 49059000)\*
  - 10: Service stops (Spare part-nr. 1405300M)\*
  - 11: Universal extension set single-lever mixers, 25 mm (Spare part-nr. 14048000)\*
  - 12: Backflow protection combination (DIN-EN1717) (Spare part-nr. 14055000)\*
- \* Optional accessories