

Product information sheet METRA 45 S Compact

Item no. 519569

Benefits



- Young, straight-lined design
- The large capacity of the bowl provides generous room to do the washing up
- Compact drainer with integrated drain
- Can be installed reversibly and also as undermount sink

Colours



Available colours:

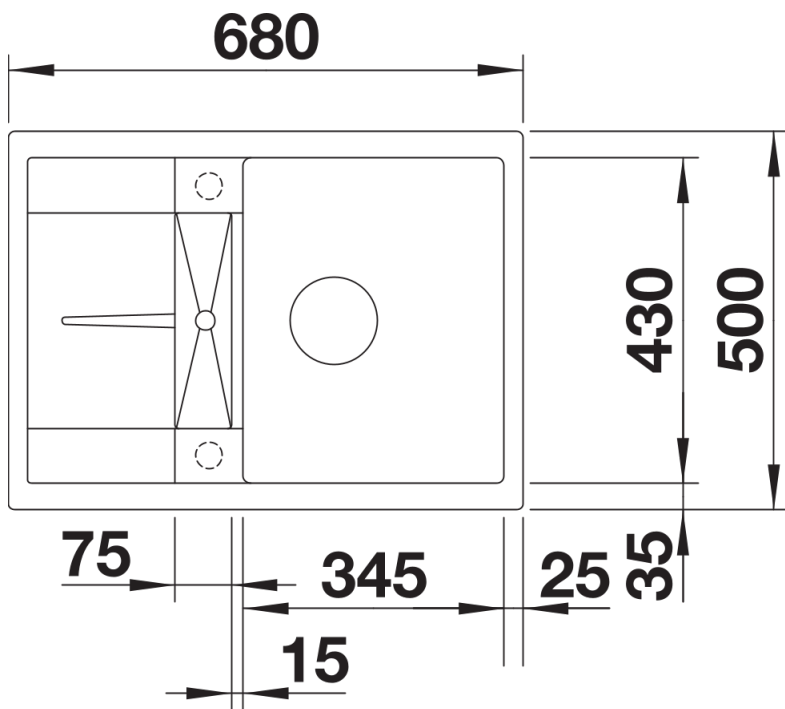
- black
- anthracite
- rock grey
- volcano grey
- alu metallic
- white
- soft white
- tartufo
- coffee

SILGRANIT tartufo

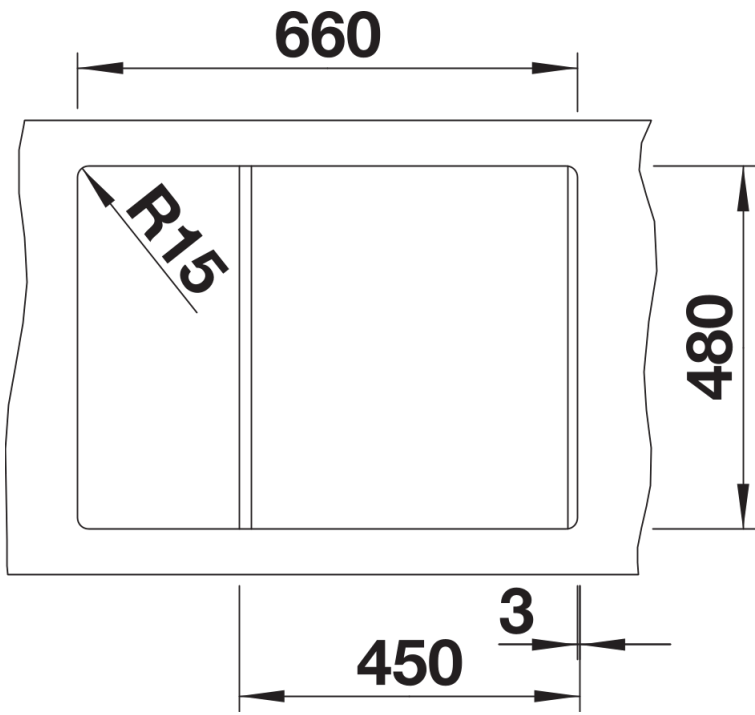
Scope of supply

- waste kit with space-saving pipe
- 3 1/2" basket strainer

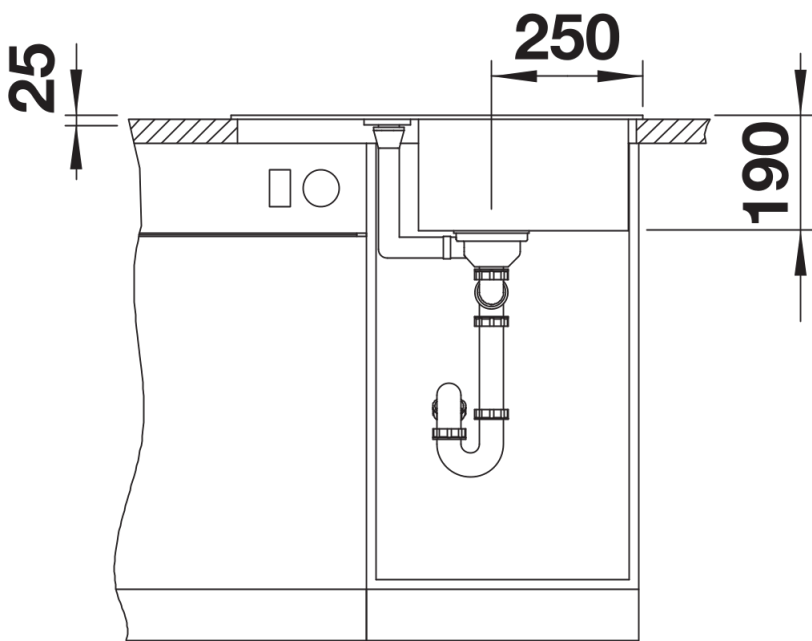
Details



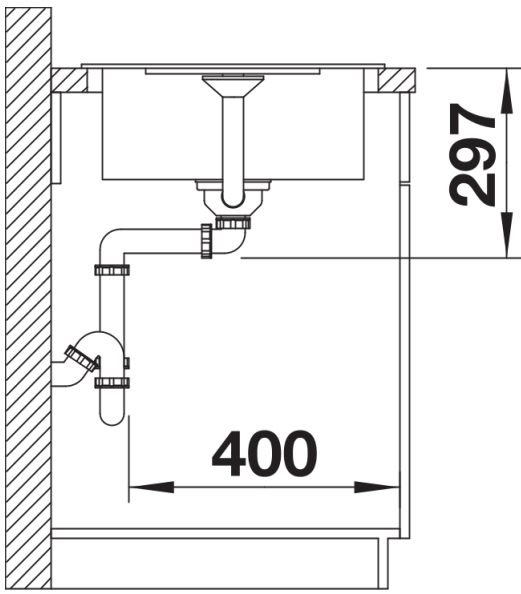
Top view



Cut-out



Front view



Side view