

## Product information sheet METRA 5 S

Item no. 518872

### Benefits

---



- Young, straight-lined design
- The large capacity of the bowl provides generous room to do the washing up
- Spacious draining area provides a high degree of comfort
- Can be installed reversibly

### Colours

---



SILGRANIT rock grey

#### Available colours:

- black
- anthracite
- rock grey
- volcano grey
- alu metallic
- white
- soft white
- tartufo
- coffee

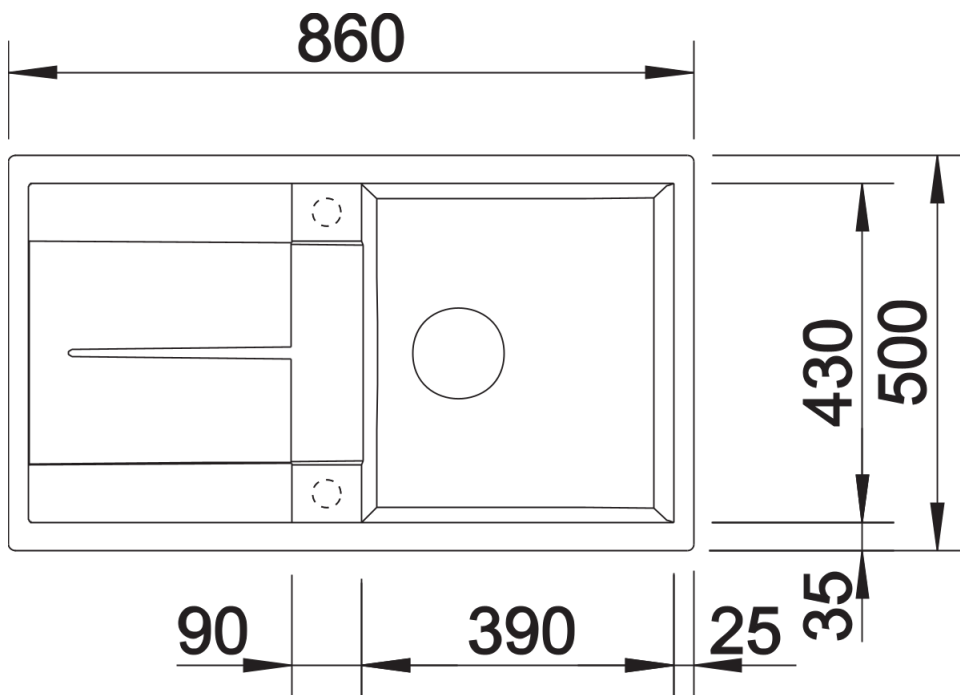
## Scope of supply

---

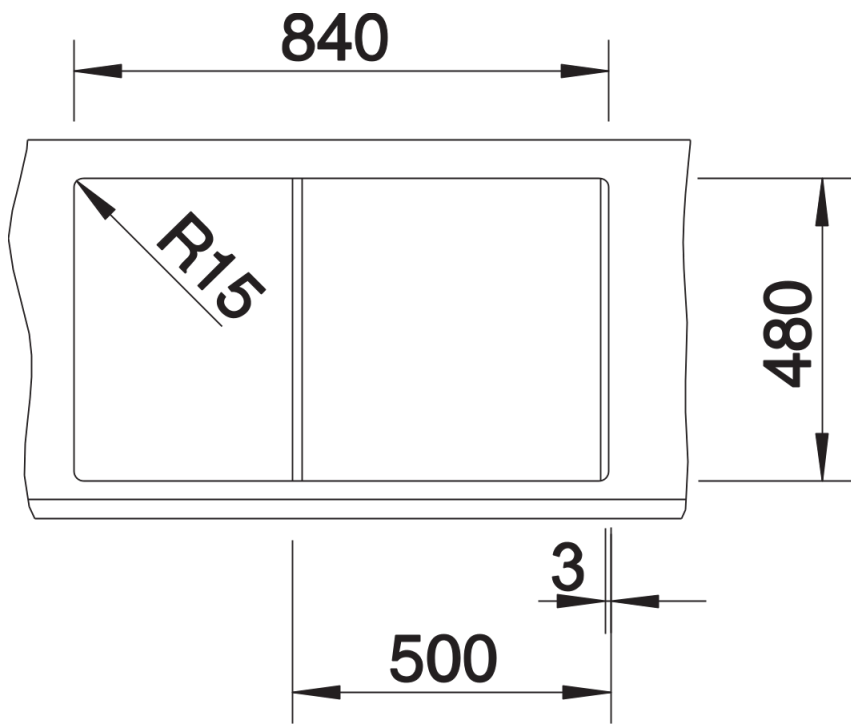
- waste kit with space-saving pipe
- 3 1/2" basket strainer

## Details

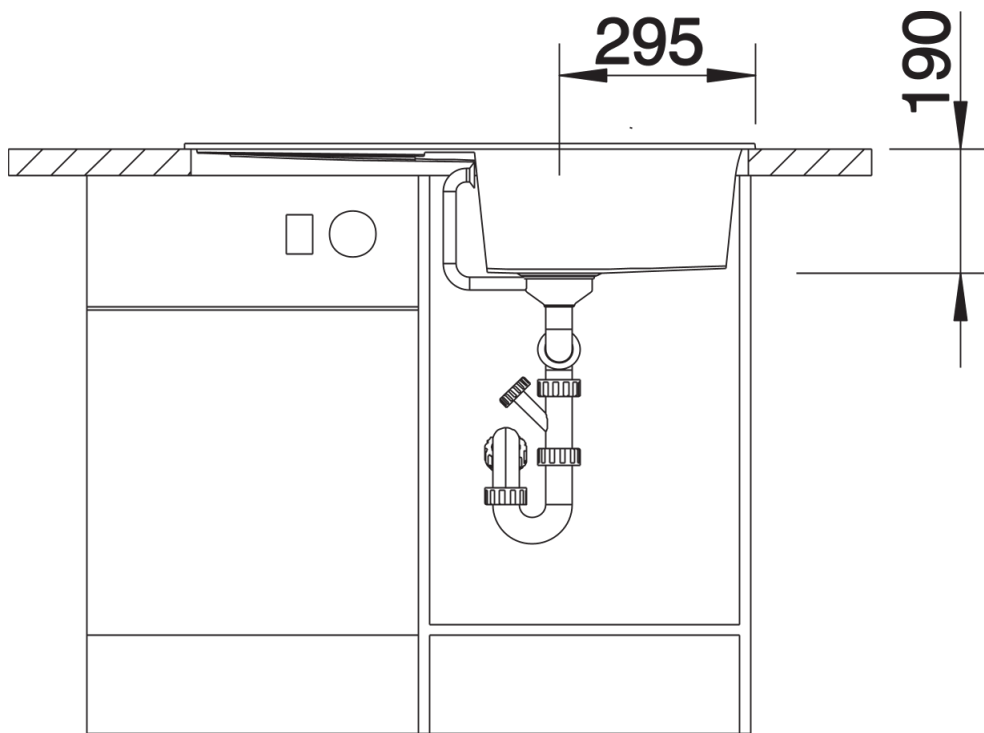
---



Top view



Cut-out



Front view



Side view