

## Product information sheet METRA 5 S

Item no. 513044

### Benefits

---



- Modern, simple but striking linear design
- The large capacity of the bowl provides generous room to do the washing up
- Separate drainer provides a high degree of convenience
- Minimal detailing on drainer design beautifully presents the super-tactile Silgranit and your chosen colour on large flat area
- Ergonomic low-profile rim design

### Colours

---



SILGRANIT anthracite

Available colours:

- black
- anthracite
- rock grey
- volcano grey
- alumetallic
- white
- soft white
- tartufo
- coffee

## Planning information

---

- Cut out size: 840 x 480 x R15, Universal handing

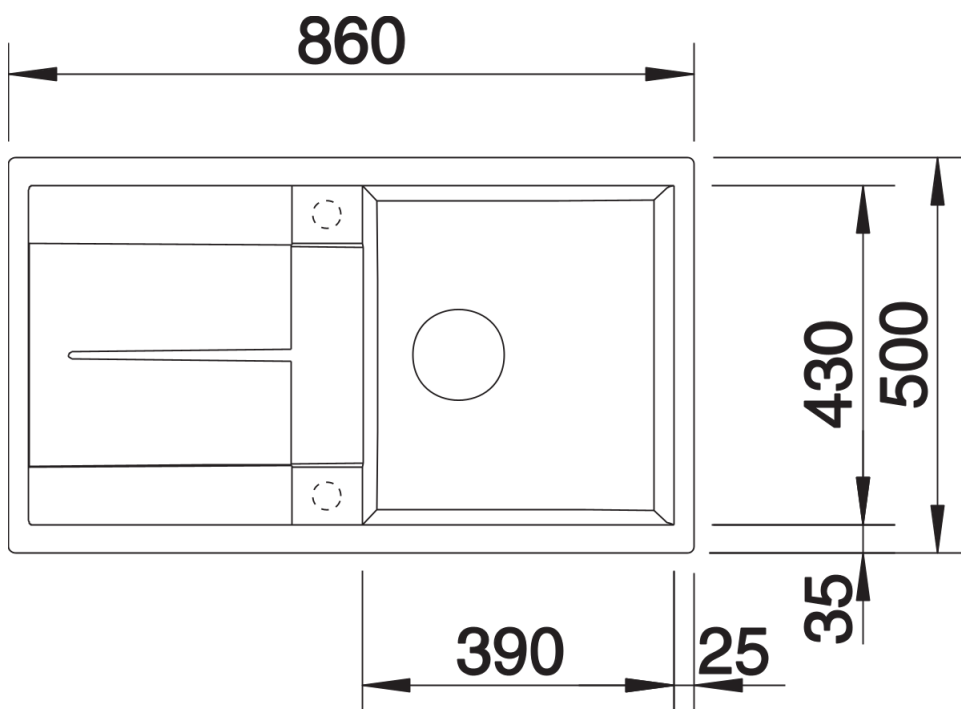
## Scope of supply

---

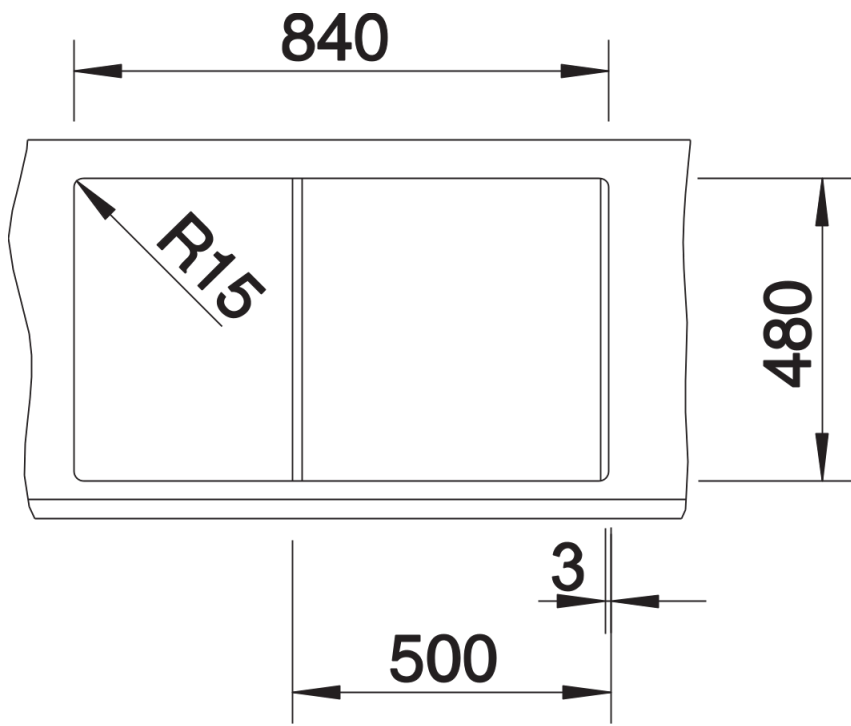
- Waste fitting with space-saving pipe
- 3 1/2" basket strainer plus remote control pop-up waste

## Details

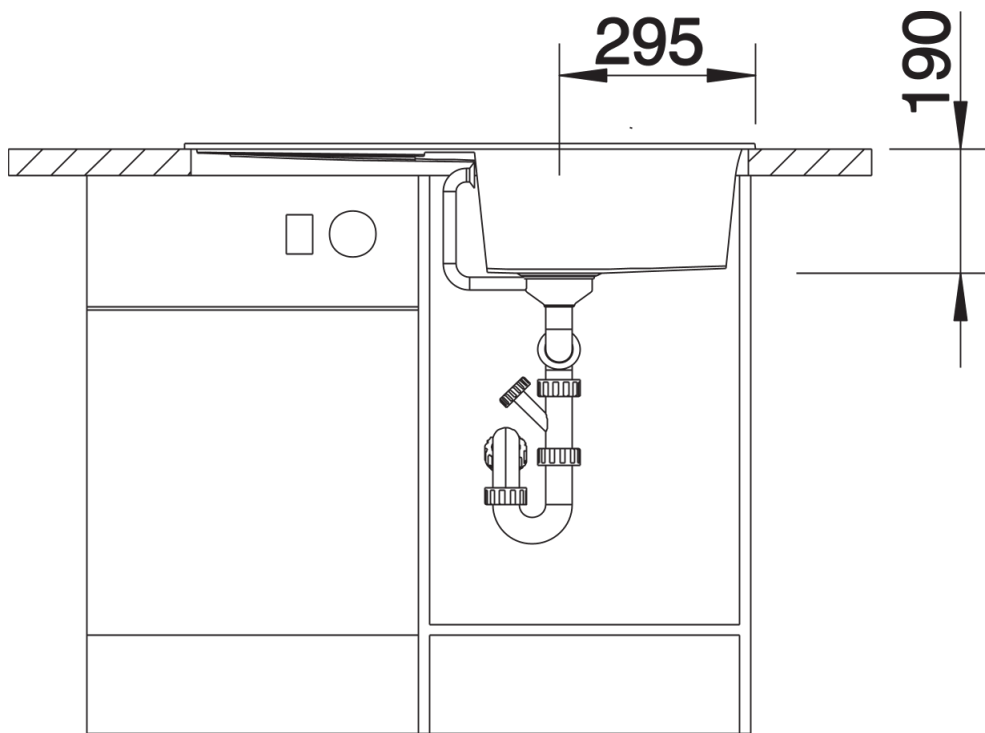
---



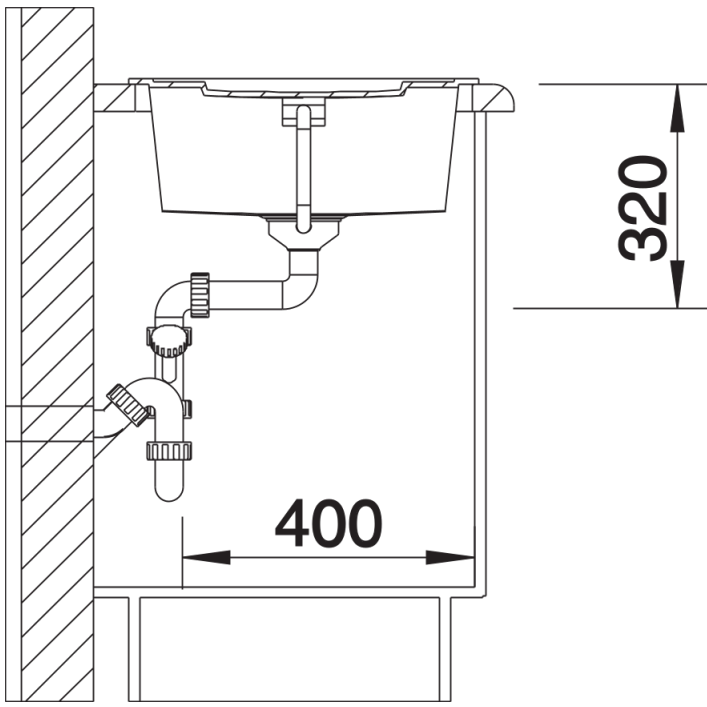
Top view



Cut-out



Front view



Side view