

Product information sheet LEGRA 8 S

Item no. 526088

Benefits



- Classic lines combined with modern functionality
- Spacious place with double bowls and drainer
- Comfortable, parallel use of the two equally sized bowls
- Can be installed reversibly

Colours



SILGRANIT black

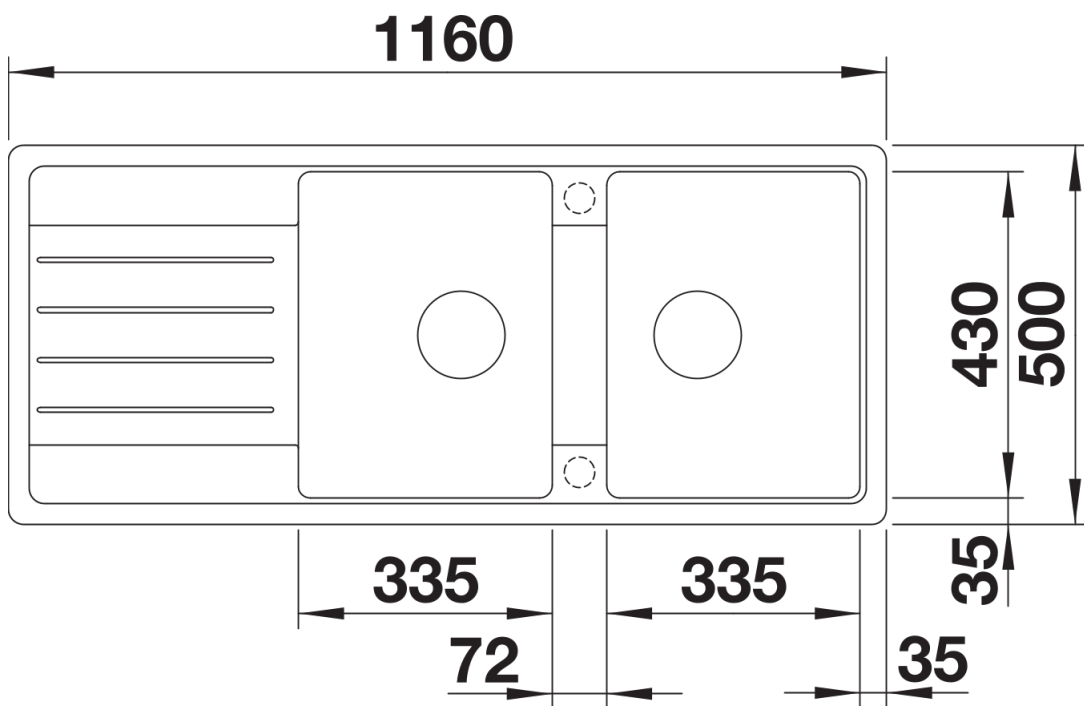
Available colours:

- black
- anthracite
- volcano grey
- alu metallic
- white
- soft white
- coffee

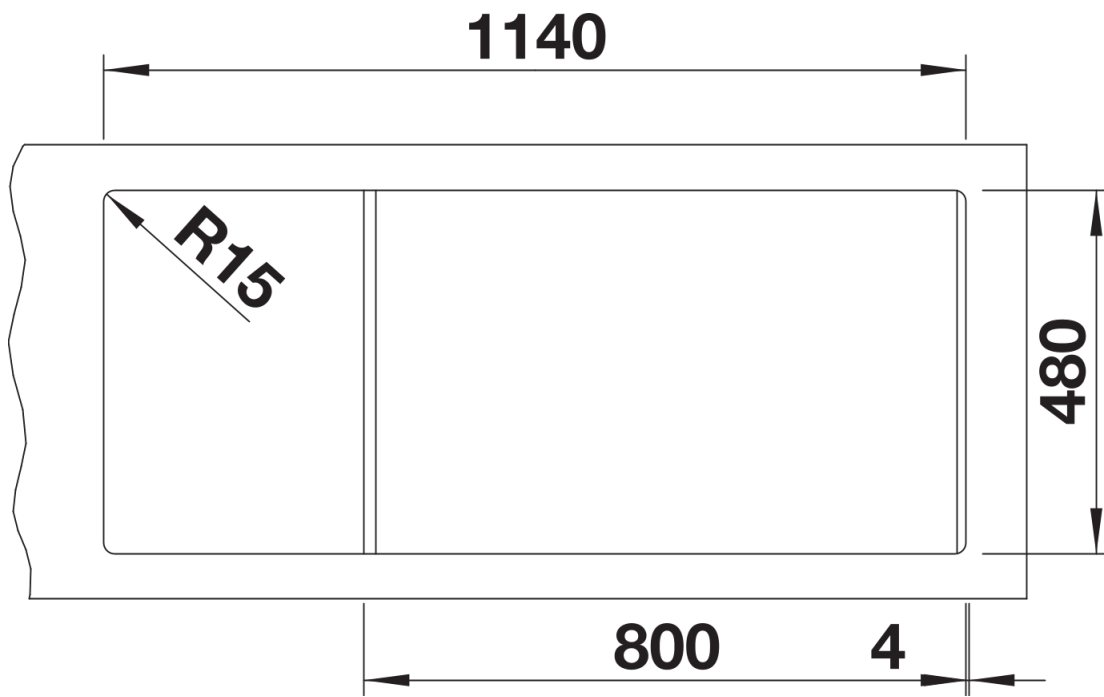
Scope of supply

- waste kit with space-saving pipe
- 2 x 3 ½" basket strainer

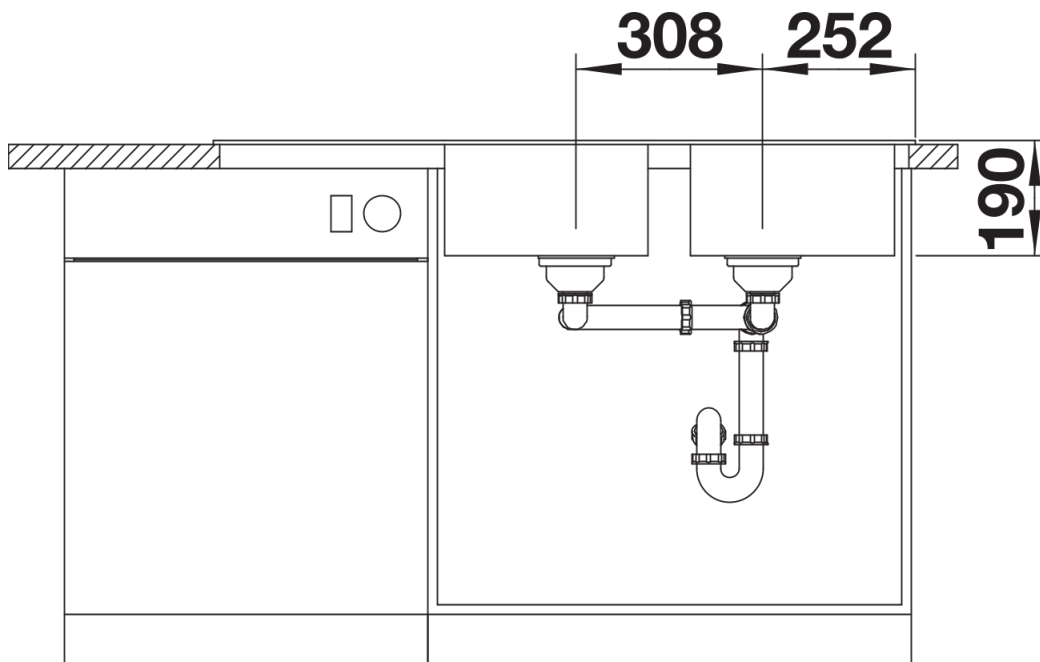
Details



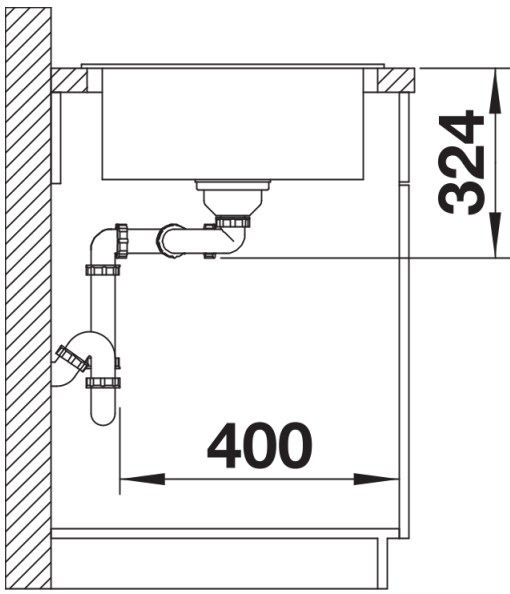
Top view



Cut-out



Front view



Side view