

Product information sheet DALAGO 45

Item no. 525869

Benefits



- Large bowl made for comfort in small spaces
- Continuous tap ledge protects the worktop from water drops
- Modern design with clear lines
- Functional accessories optional available

Colours



Available colours:

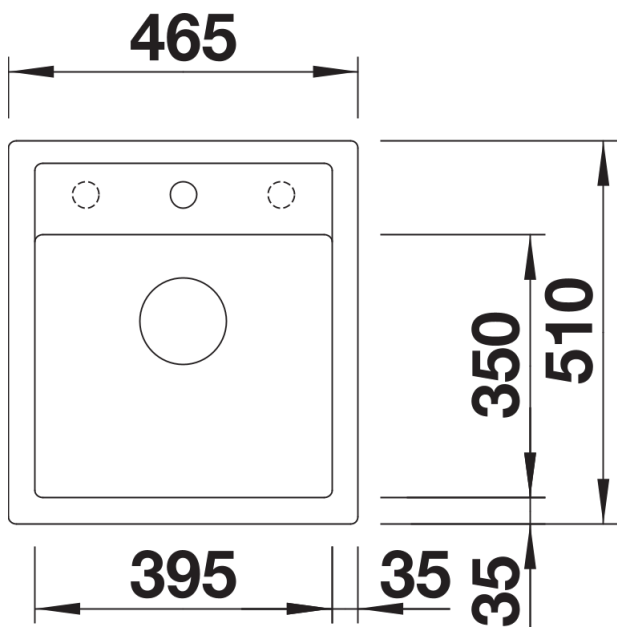
- black
- anthracite
- rock grey
- volcano grey
- alu metallic
- white
- soft white
- tartufo
- coffee

SILGRANIT black

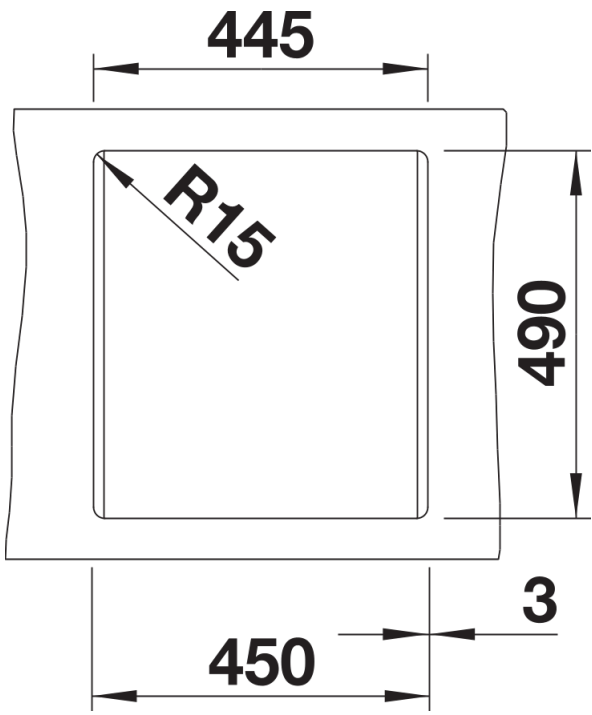
Scope of supply

- waste kit with space-saving pipe
- 3 ½" basket strainer with drain remote control (rotary switch)

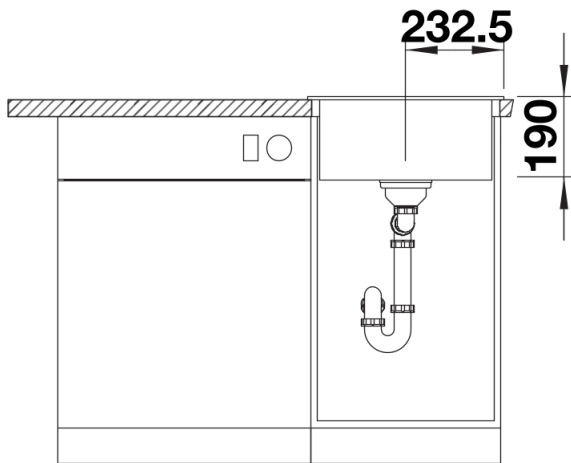
Details



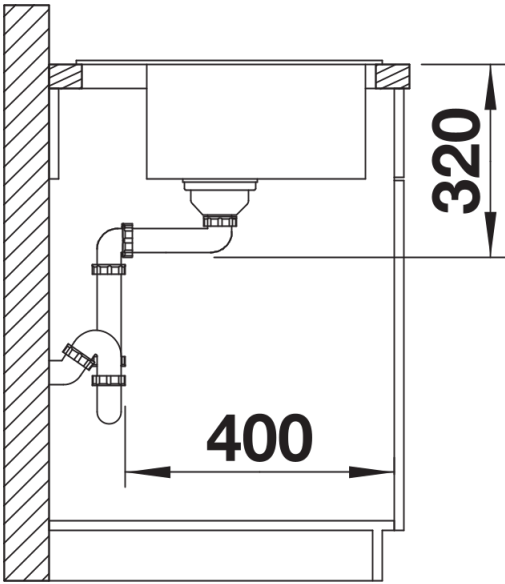
Top view



Cut-out



Front view



Side view