

Product information sheet AVONA-S

Item no. 526170

Benefits



- Exciting interplay between round and rectangular shapes
- Tapering body, gentle incline in spout
- Color version perfectly matched to the coloured sinks and bowls in SILGRANIT
- With extending spray in high-quality

Colours



Available colours:

- black
- anthracite
- rock grey
- volcano grey
- alu metallic
- white
- soft white
- tartufo
- coffee

SILGRANIT-Look black

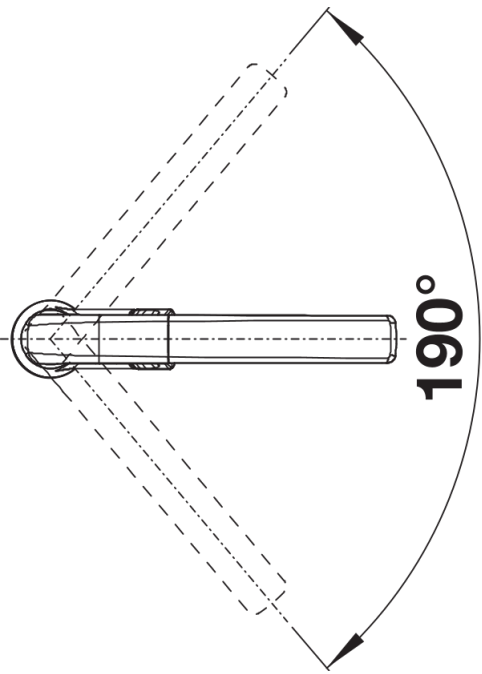
Planning information

- Clear spray included

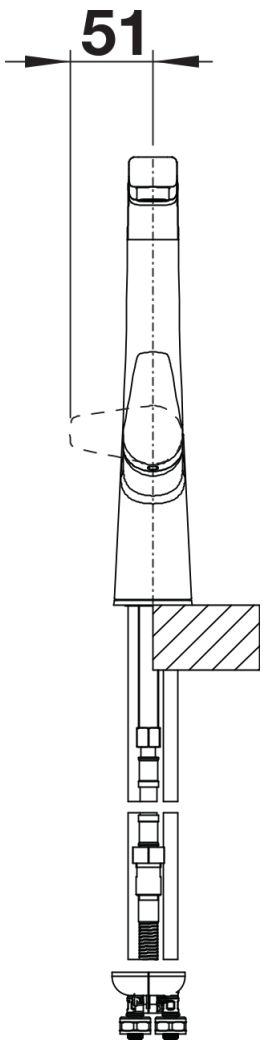
Scope of supply

- 190° swivel spout for greater reach
- High drill hole of 35 mm diameter required
- With ceramic disk cartridge
- Flexible connector pipes, 450 mm long and $\frac{3}{8}$ " nut for particularly easy installation
- With metal-cased spray hose
- Patented jet regulator for markedly reduced scaling
- Stabilisation plate to increase the stability of the tap when fitted in stainless steel sinks
- With non-return valve and thus guaranteed against reflux in accordance with EN 1717
- LGA approved
- Planned for DVGW certificate

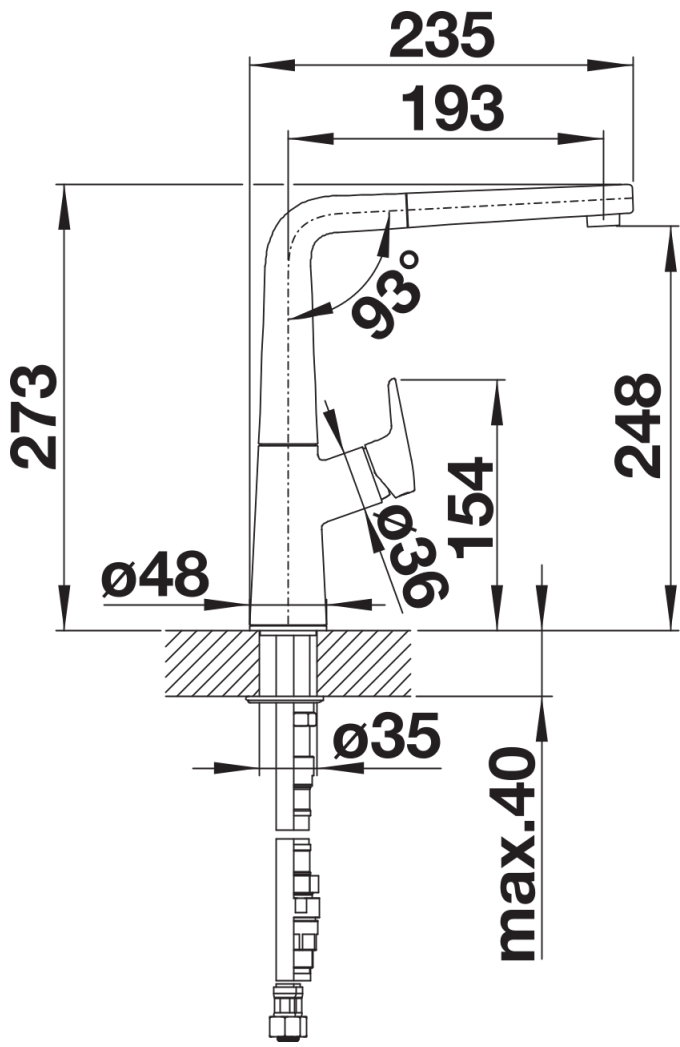
Details



Swivel range



Side view hand gear 2D



Side view