



ASSEMBLY GUIDE

YOU'RE ALMOST READY TO GET ROLLING...

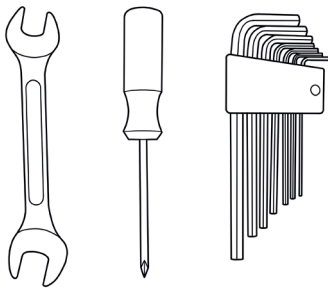
Congratulations on your new bicycle purchase from Temple Cycles. We're delighted to have another one of our bikes out in the wild. Before you start cycling, you will need to follow some simple steps that are outlined in this booklet. After that, you'll be ready to get out and about on your new ride.

WWW.TEMPLECYCLES.COM | [INSTAGRAM](#) | [FACEBOOK](#)

GETTING STARTED

The bike you have just received has been carefully built by our team in our Bristol workshop and is 95% assembled. To get cycling, you simply need to follow the instructions detailed in this guide.

We're confident that you will be able to complete the steps yourself, but if you don't have the time or confidence, you can always take your new bike along to your preferred local bike shop to complete the assembly for you.



TOOLS NEEDED

To complete the assembly of your bike you will need to use the following tools as instructed.

- 8mm*/6mm*/5mm/4mm Allen keys
- Phillips head screwdriver
- 15mm spanner**

* Adventure Disc Only

**Step Through and Classic Only

IMPORTANT NOTE

The first step is to take your bike out of its box and remove any packaging. Be careful not to throw away any parts or accessories that may also be included within the box. With all the packaging removed and other parts stored safely, please proceed to Step 01.

STEP 01

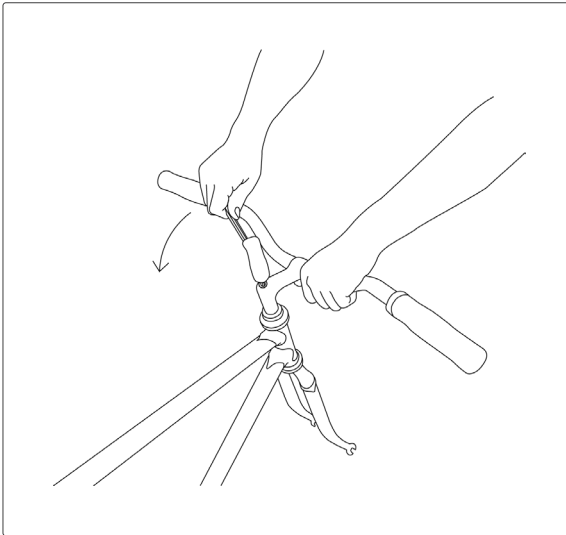
STRAIGHTEN HANDLEBARS

NOTE, THIS STEP ONLY APPLIES TO CLASSIC AND STEP THROUGH MODELS. IF YOUR BIKE IS AN ADVENTURE DISC, PROCEED TO STEP 03

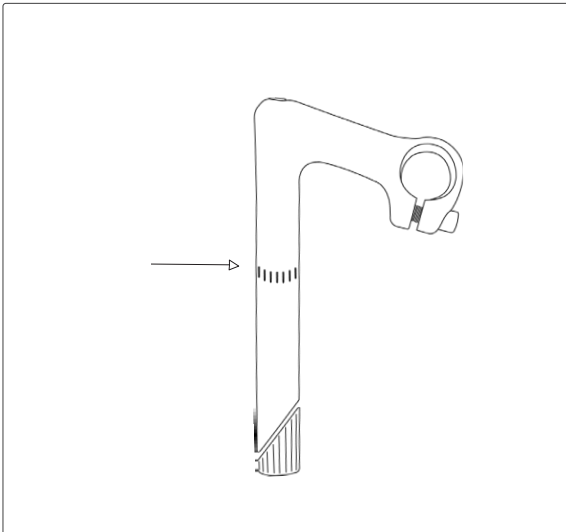
Tools Needed: 6mm Allen key

Torch Wrench Setting: 20Nm

Parts Needed: None



Loosen the bolt at the top of the stem using a 6mm Allen key.



Along the stem you will notice a line of dashes, these dashes show the maximum height that the stem can be positioned at, use them as a guide to set your handlebar height. For safety, you must make sure these dashes are not visible and are below the clamp, do not ride with them showing.

STEP 01

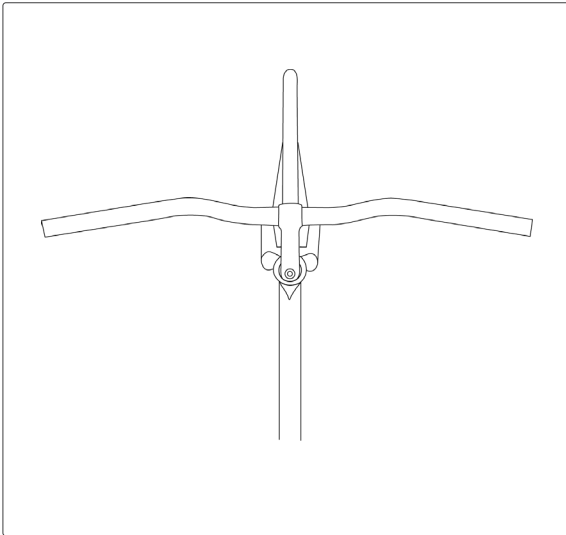
STRAIGHTEN HANDLEBARS

NOTE, THIS STEP ONLY APPLIES TO CLASSIC AND STEP THROUGH MODELS

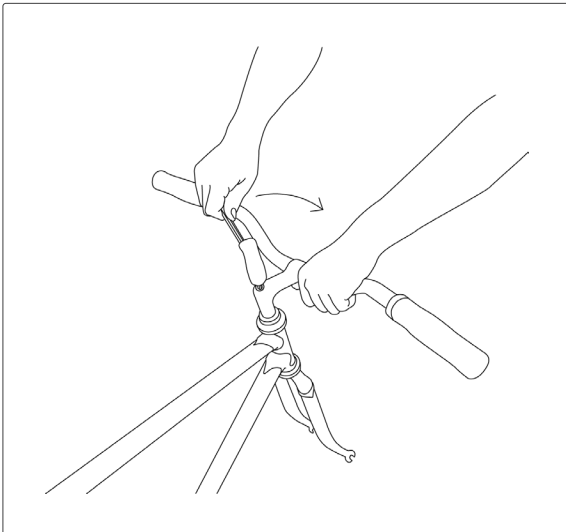
Tools Needed: 6mm Allen key

Torch Wrench Setting: 20Nm

Parts Needed: None



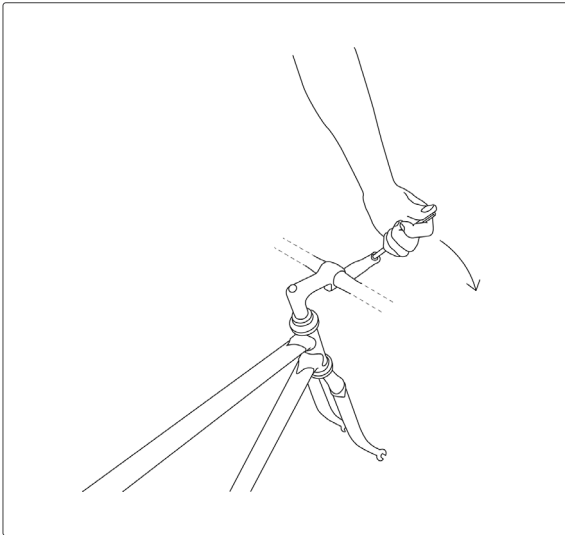
Once the handlebars are at the desired height, you will need to make sure that they are in a straight position. The handlebars should be pointing forward in line with the wheel as pictured.



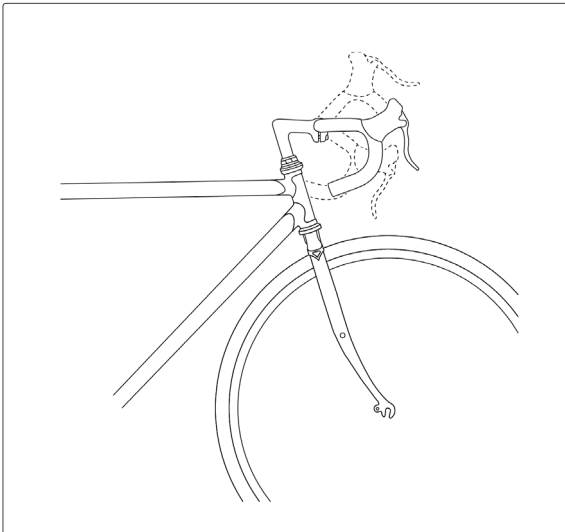
With the bars in the correct position, use a 6mm Allen key to tighten the bolt at the top of the stem.

STEP 02**ADJUST HANDLEBAR ANGLE**

FOR DROP HANDLEBARS ONLY

Tools Needed: 6mm Allen key**Torch Wrench Setting:** 5Nm**Parts Needed:** None

If your bike has a quill stem (as pictured) and drop handlebars, you will need to adjust the angle to the correct position. Start by using a 6mm Allen key to loosen the bolt at the front of the stem.



Next, adjust the angle of your handlebars to the correct position. Please refer to the illustration for guidance. You can deviate from this slightly to achieve a position that suits you best.

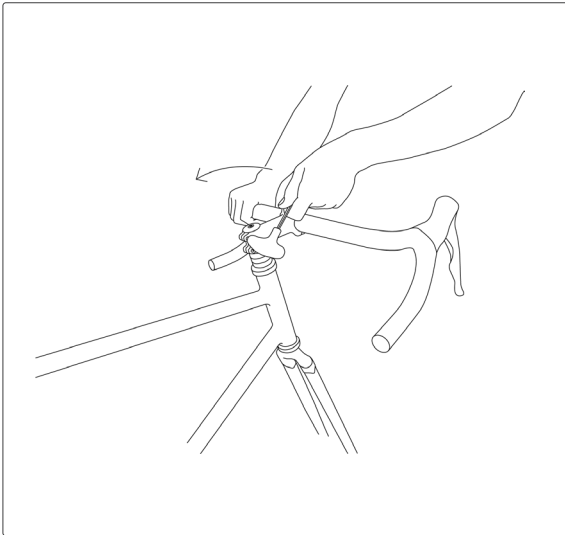
STEP 03**ADJUST HANDLEBAR - ADVENTURE DISC**

THE FOLLOWING STEP ONLY APPLIES TO THE ADVENTURE DISC MODELS

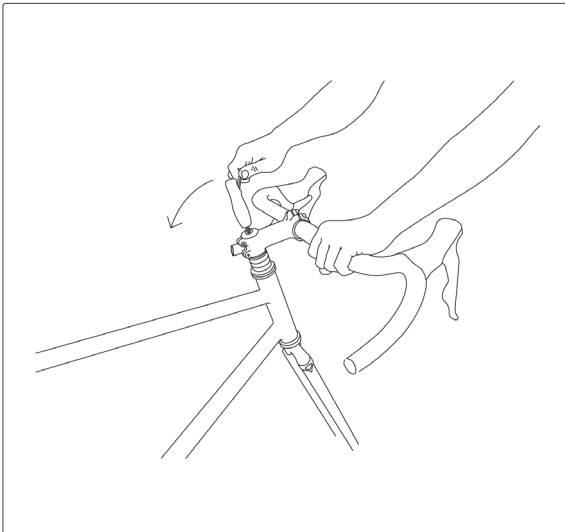
Tools Needed: 4 / 5mm Allen keys

Torch Wrench Setting: 5Nm

Parts Needed: None



To allow for the adjustment of the handlebars, start by loosening the two pinch bolts on either side of the stem using a 4mm Allen key.



Next, loosen the stem cap bolt with a 5mm Allen key. This does not need to be removed, just loosened to allow for adjustments.

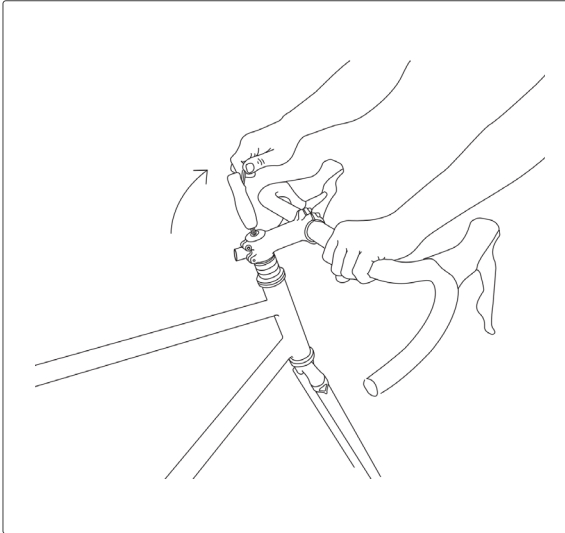
STEP 03**ADJUST HANDLEBAR - ADVENTURE DISC**

THE FOLLOWING STEP ONLY APPLIES TO THE ADVENTURE DISC MODELS

Tools Needed: 4 / 5mm Allen keys

Torch Wrench Setting: 5Nm

Parts Needed: None



Turn the handlebars so that they are positioned facing straight on, and continue to re-tighten the stem cap using a 5mm Allen key. This should be just loose enough so that the wheel and handlebars move freely, but not so loose that there is any play in the steering column.



Next, tighten the two pinch bolts on either side of the stem using a 4mm Allen key.

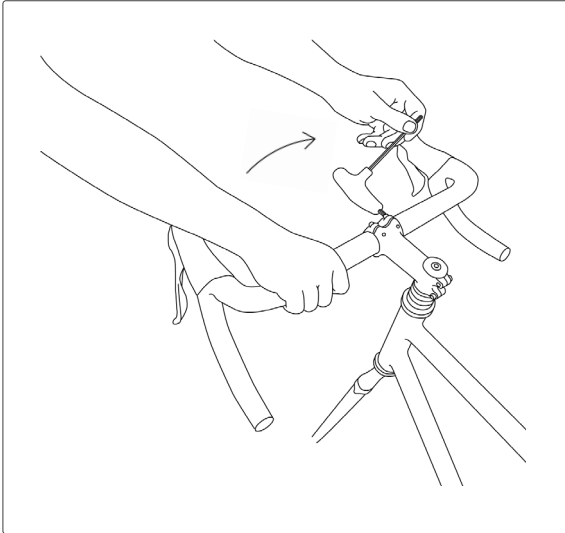
STEP 03**ADJUST HANDLEBAR - ADVENTURE DISC**

THE FOLLOWING STEP ONLY APPLIES TO THE ADVENTURE DISC MODELS

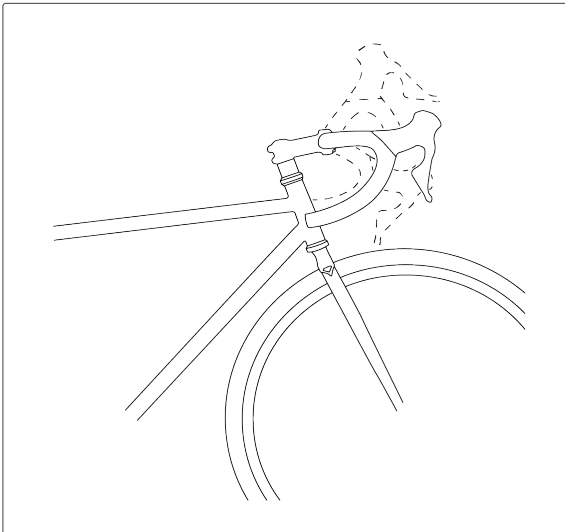
Tools Needed: 4 / 5mm Allen keys

Torch Wrench Setting: 5Nm

Parts Needed: None



Next, you will need to adjust the handlebars vertically. To do this, start by loosening the stem front plate bolts with a 4mm Allen key.



You can now move the handlebars into the correct position. Please refer to the illustration for guidance if you are unsure. You can deviate from this slightly to achieve a position that suits you best.

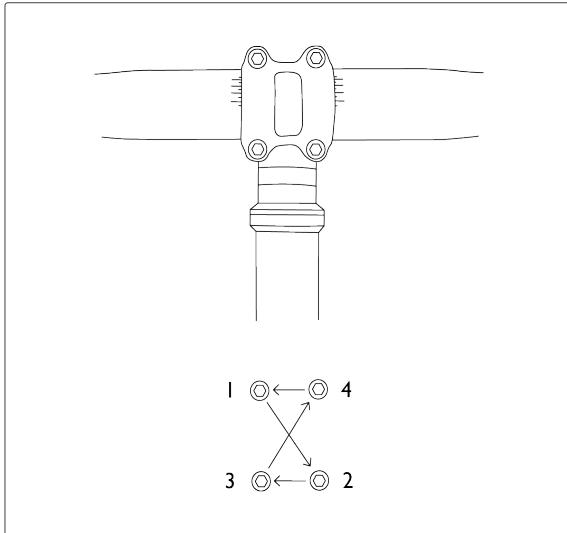
STEP 03**ADJUST HANDLEBAR - ADVENTURE DISC**

THE FOLLOWING STEP ONLY APPLIES TO THE ADVENTURE DISC MODELS

Tools Needed: 4 / 5mm Allen keys

Torch Wrench Setting: 5Nm

Parts Needed: None



Next, tighten the stem's front plate bolts. It's important to note that these bolts need to be tightened in a cross pattern (as pictured). Make sure not to tighten these bolts all the way in one go, instead tighten each one a small amount incrementally.



Make sure the gap between the faceplate and stem body is even top and bottom, and continue to tighten the bolts in a cross pattern until the handlebars are secure. Once all the stem bolts are tight, please continue to the next step.

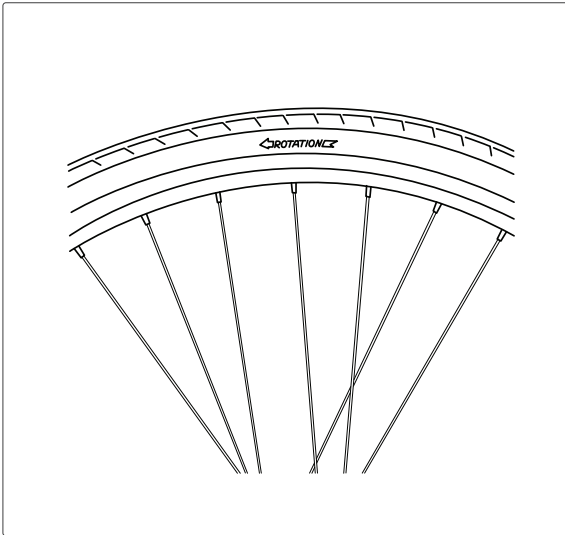




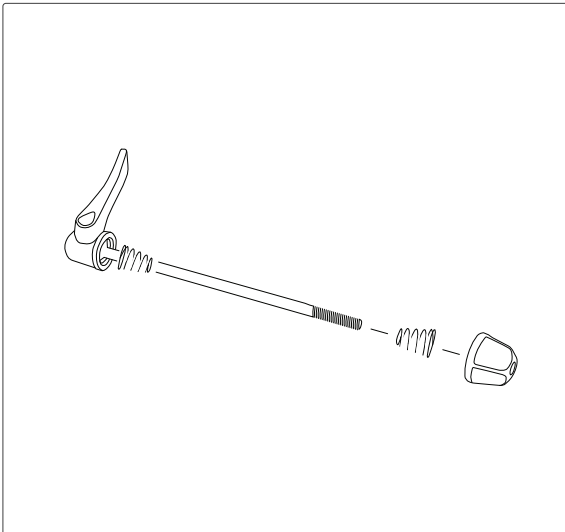
STEP 04**INSTALL FRONT WHEEL**

Tools Needed: None

Parts Needed: Front Wheel



First, make sure the wheel is oriented in the correct direction. Along the sidewall of the tyre, there is an arrow indicating the direction of rotation. The arrow needs to be orientated so it is facing the front of the bicycle in the same direction as the wheel spins.

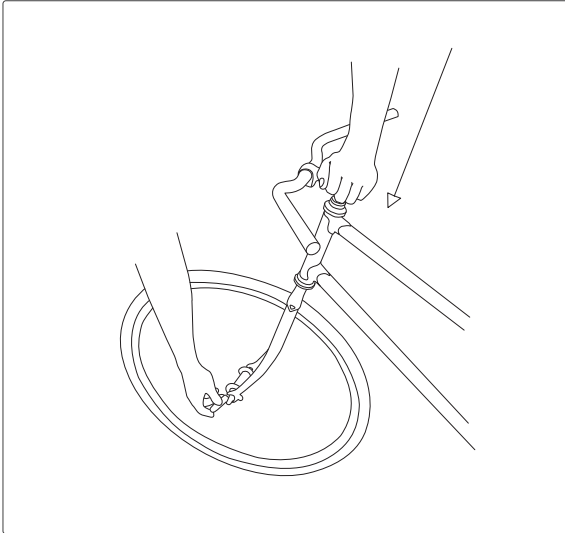


Next, take the provided skewer, unscrew the nut, and slot it through the axle of the front wheel. Make sure that there is one small spring on each side of the wheel. Lightly screw the skewer nut back onto the threaded portion of the skewer.

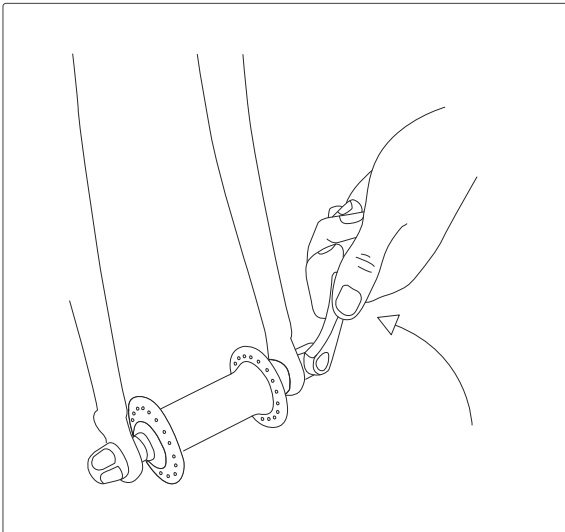
STEP 04**INSTALL FRONT WHEEL**

Tools Needed: None

Parts Needed: Front Wheel



Insert the front wheel into the bottom of the fork and apply a small amount of downward pressure on the handlebars to ensure the wheel is seated correctly. With the lever in an open position, screw the nut until the wheel is secure but not tight.



Finally, close the shutter lever. This will lock the front wheel in place, making it safe to ride. If it closes too easily, you will need to open it and continue to tighten the nut, so that clasping it shut leaves an imprint in your palm. If it is too difficult to clasp then you must loosen the nut slightly.

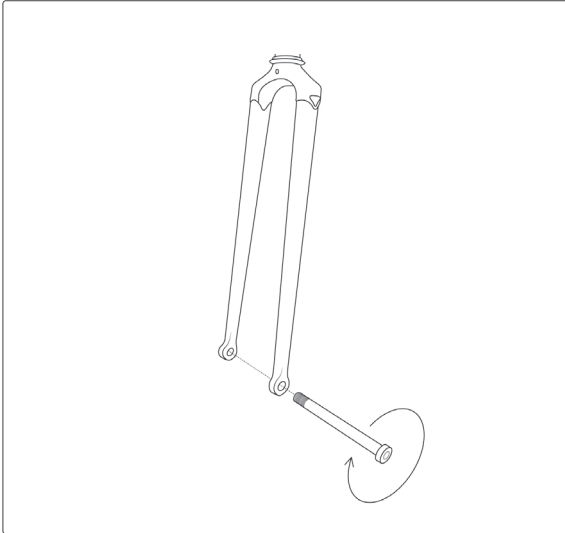
STEP 04**INSTALL FRONT WHEEL - ADVENTURE DISC**

THE FOLLOWING STEP ONLY APPLIES TO THE ADVENTURE DISC MODELS

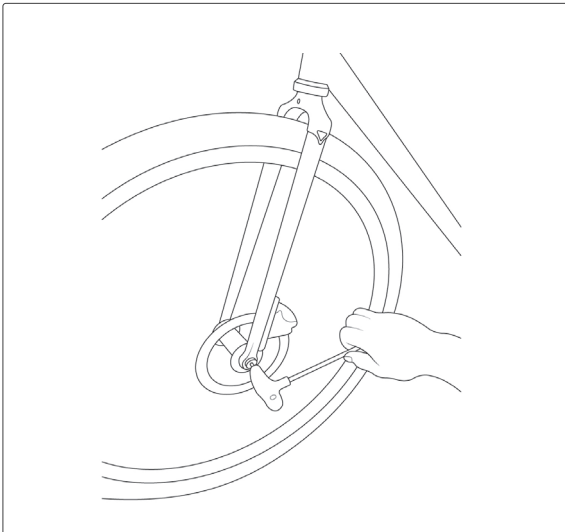
Tools Needed: 6mm

Torch Wrench Setting: 5Nm

Parts Needed: Front Wheel



Firstly, remove the thru-axle by winding it in an anti-clockwise motion using a 6mm Allen key. Next, install the front wheel, making sure the disc is seated correctly within the brake calliper. Re-install the thru-axle through both fork legs and hub, screw it into place in a clockwise motion as shown in the diagram.



Tighten the bolt on the end of the through axle, using a 6mm Allen key in a clockwise motion.

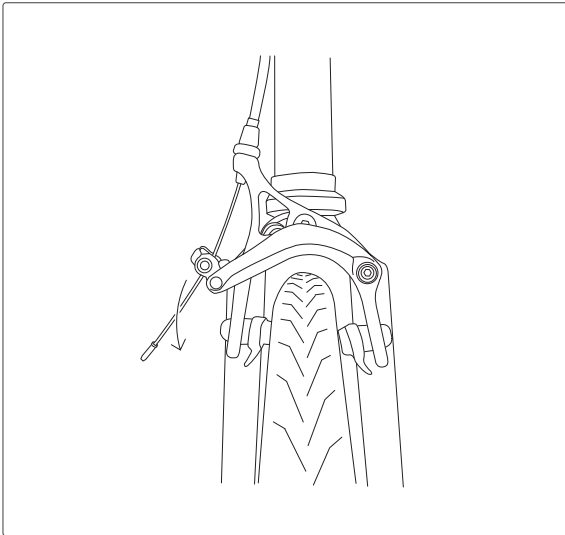
STEP 05

SECURE FRONT BRAKE

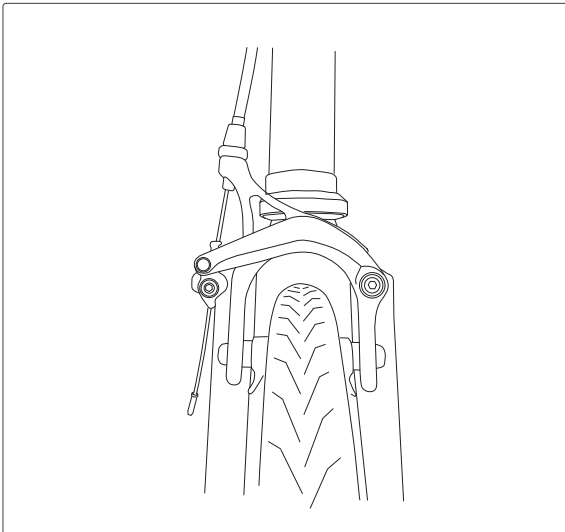
THE FOLLOWING STEP ONLY APPLIES TO CLASSIC AND STEP THROUGH MODELS

Tools Needed: None

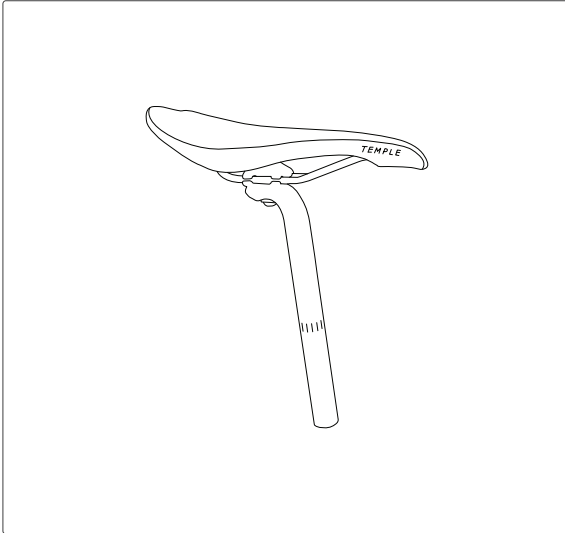
Parts Needed: None



Next, you will need to clip the brake calliper down into position. To do this, you will need to squeeze the brake pads together with your hand and push down on the black clip on the side of the brake where the cable is attached.



Once the brake is clipped down, make sure that it clamps the front wheel firmly when the brake lever is pulled and that the wheel spins freely when the brake lever is released. If it does not, check that the wheel is aligned centrally between the two brake pads.

STEP 06**INSTALL SADDLE****Tools Needed:** 4 / 5mm Allen keys**Torch Wrench Setting:** 5Nm**Parts Needed:** Saddle and seat post

Now you will be ready to install the saddle and seat post.



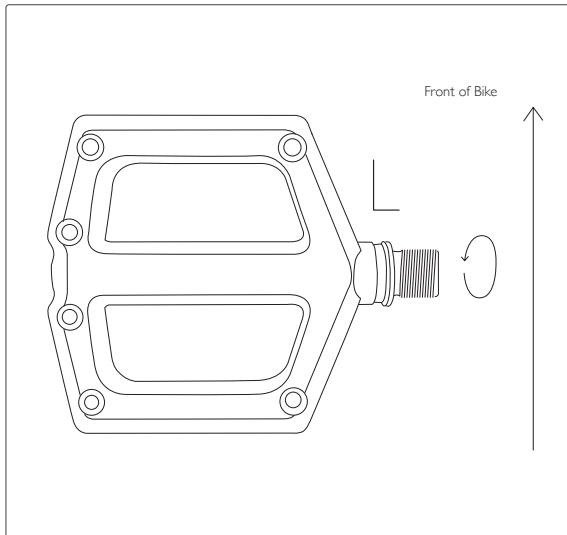
Insert the seat post into the frame, making sure that the minimum insertion marks are hidden below the frame. Next, adjust the saddle to your desired riding height, ensuring it is in a straight position. Then tighten the clamp bolt with a 4mm or 5mm Allen key.

STEP 07**INSTALL PEDALS ADVENTURE DISC**

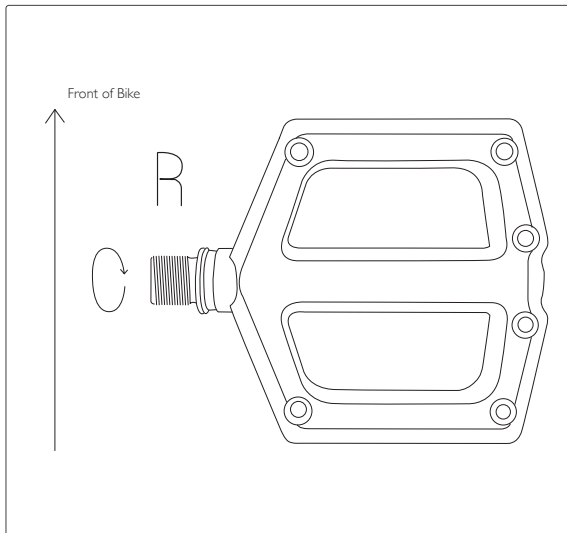
THE FOLLOWING STEP ONLY APPLIES TO ADVENTURE DISC MODELS, FOR ALL OTHER MODELS SKIP TO STEP 08

Tools Needed: 8mm Allen key

Parts Needed: Pedals



To attach the pedals, start by checking which is the left and which is the right-hand pedal, as indicated by an 'L' or 'R'. Make sure you are using the correct pedal, and begin to screw in the pedals to the end of the crank arm using an 8mm Allen key to secure them in place.



It's important to note that each pedal has a different directional thread, meaning only the correct pedal will fit into its corresponding crank arm. As a rule, when tightening the pedals, you should always rotate the left pedal anti-clockwise and the right pedal clockwise.

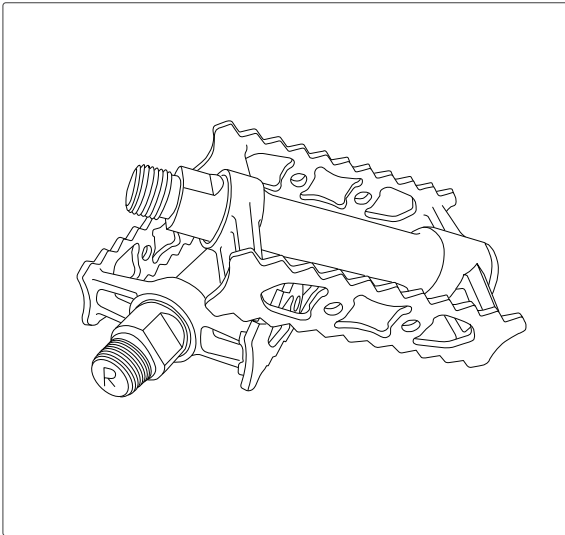
STEP 08

INSTALL PEDALS

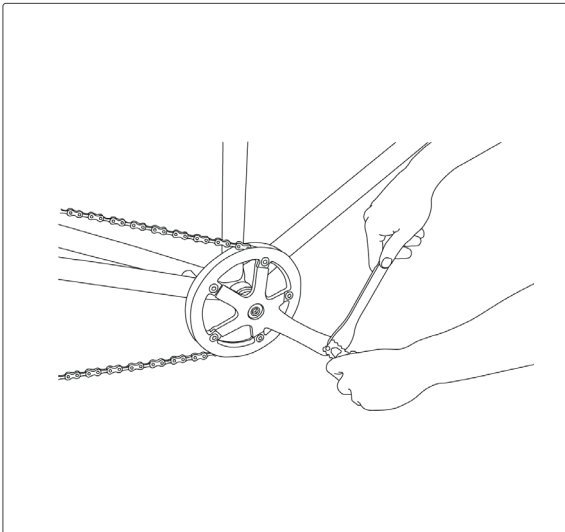
THE FOLLOWING STEP ONLY APPLIES TO CLASSIC AND STEP THROUGH MODELS

Tools Needed: 15mm Spanner

Parts Needed: Pedals



To attach the pedals, start by checking which is the left and which is the right-hand pedal, as indicated by an 'L' or 'R'. Make sure you are using the correct pedal, and begin to screw in the pedals to the end of the crank arm using a 15mm spanner.



It's important to note that each pedal has a different directional thread, meaning only the correct pedal will fit into its corresponding crank arm. As a rule, when tightening the pedals, you should always rotate the left pedal anti-clockwise and the right pedal clockwise.

After completing each of the steps outlined in this guide, you'll be almost ready to take your brand new bicycle on its first ride! But first, there are some final checks to complete to make sure your bike is safe.

FINAL CHECKS

After six weeks your bike might need a slight tune-up as the gears bed in. We recommend that you take it to your local bike shop after this period to check the following:

- *Check that both brakes are operating correctly*
- *Check that any accessories are secured*
- *Check that the tyres are adequately inflated*
- *Check that the handlebars and stem are secure*

AFTER CARE

Your bike will need some care throughout its life to keep it operating perfectly. We recommend that you:

- *Store it in a dry place*
- *Keep your bicycle clean*
- *Regularly check the tyre pressure, chain lubrication and that the bolts are tight*
- *Service your bike or take it to be serviced at your local bike shop every six months you use it daily*

That's it, you're ready to ride

We hope that your new bicycle is everything you imagined and more. Now comes the fun part, you're ready to ride! Whether you're a city dweller or a country rider, we'd love to hear about what you get up to on your bike. Feel free to tag us using [@templecycles](https://www.instagram.com/templecycles) in any of your social media posts.



TEMPLE
— CYCLES —