



ASSEMBLY GUIDE

YOU'RE ALMOST READY TO GET ROLLING...

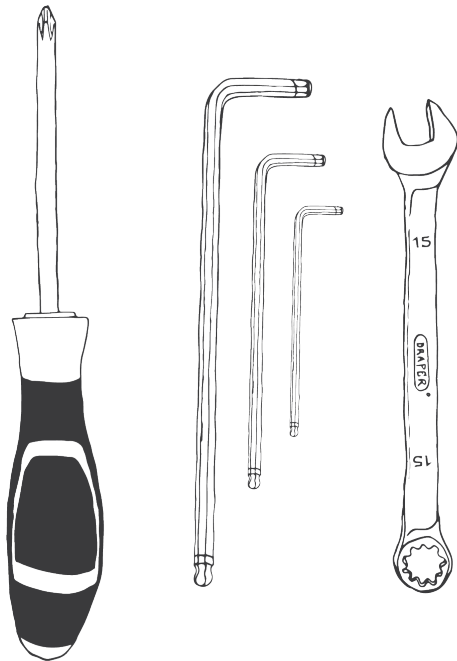
Congratulations on your new bicycle purchase from Temple Cycles. We're delighted to have another one of our bikes out in the wild. Before you start cycling, you need to follow some simple steps, outlined in this booklet. After that, you'll be out and about on your new ride.

WWW.TEMPLECYCLES.COM | [INSTAGRAM](#) | [FACEBOOK](#)

GETTING STARTED

The bike you have just received has been carefully built by the team in the workshop and is 95% assembled. To get cycling, you simply need to follow this guide we've made.

We're confident that you will be able to complete the steps yourself, but if you don't have the tools or the time, you can always take your new bike along to your preferred local bike shop to complete the steps for you.



TOOLS NEEDED

To complete the steps on your bike you will need to use the following tools as instructed.

- 8mm* / 6mm* / 5mm / 4mm allen keys
- Phillips head screwdriver
- 15mm spanner

Use of a torque wrench is advised but is down to personal discretion.

*Adventure Disc Only

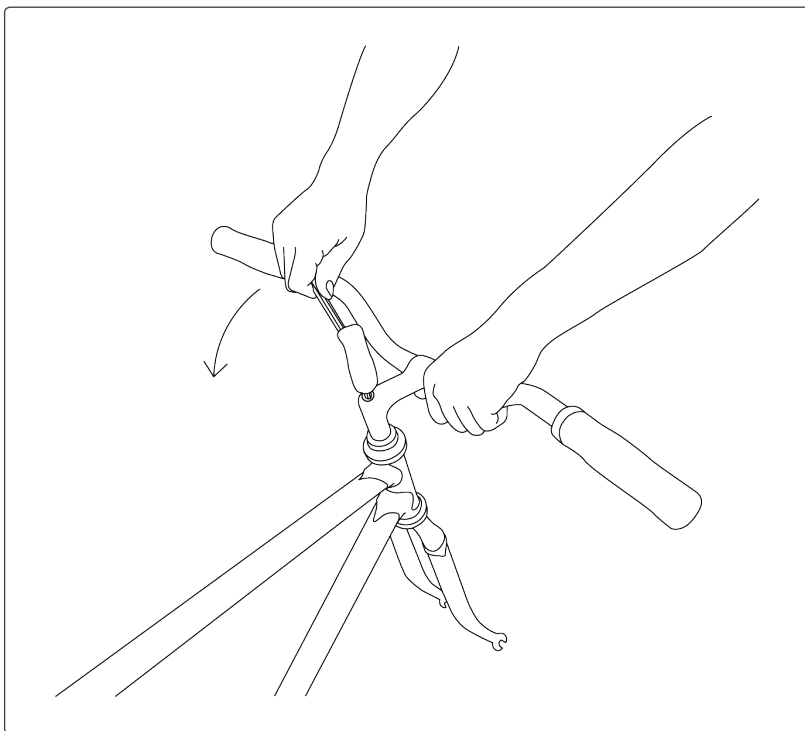
IMPORTANT NOTE

The first thing you will need to do is remove your bike from its box and remove any packaging. Be careful not to throw away any parts or accessories that may also come included within the box. With all packaging removed and other parts stored safely you can proceed to the next step.

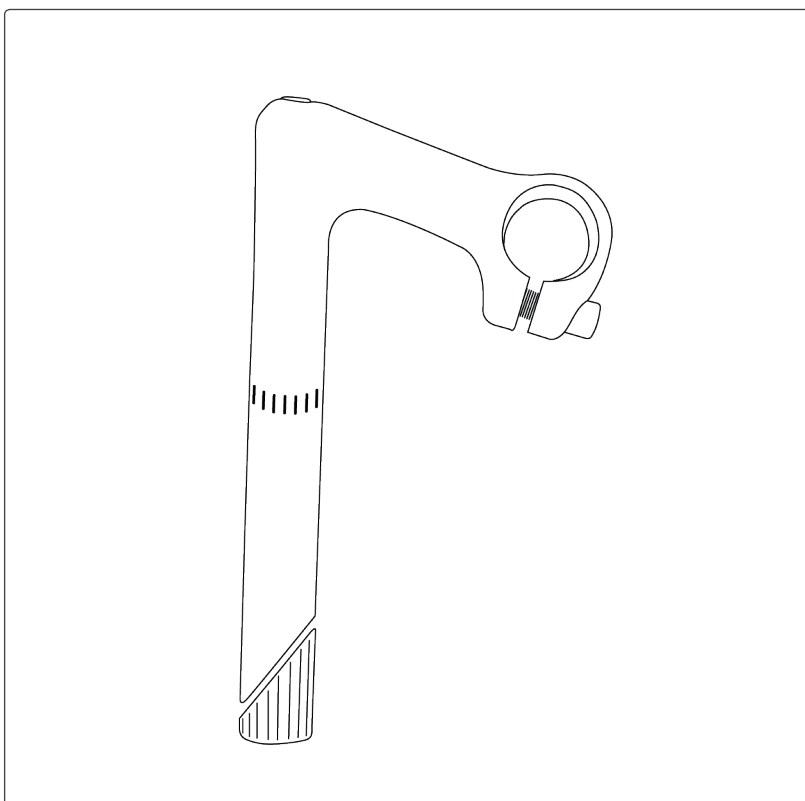
IF YOUR BIKE IS THE ADVENTURE DISC, PROCEED TO STEP 3

Tools Needed: 6mm allen key

Parts Needed: None



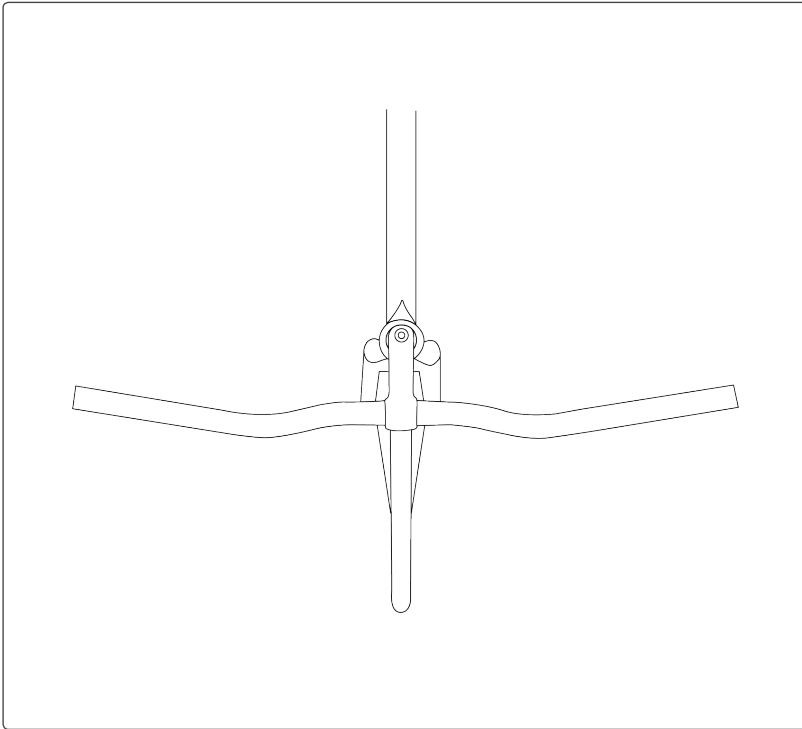
Loosen the bolt at the top of the stem using a 6mm allen key.



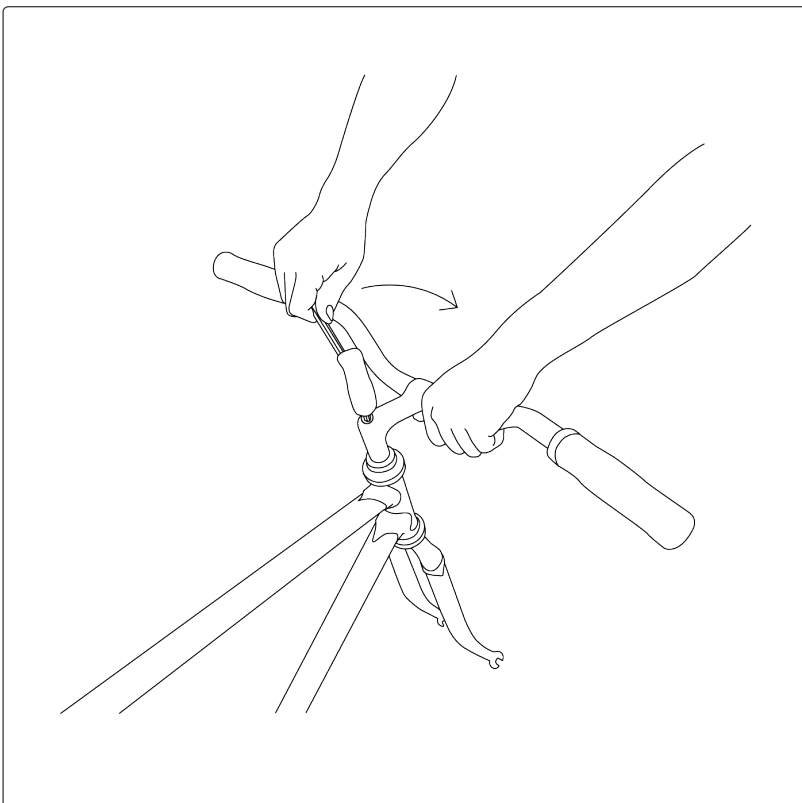
Along the stem you will notice a line of dashes, these dashes show the maximum height that the stem can be set to. You can use them as a guide for how to set your handlebar height. We recommend having them only just hidden.

Tools Needed: 6mm allen key

Parts Needed: None



Once the bars are at the required height, you will then need to make sure that the handlebars are in a straight position. The handlebars should be pointing forward in line with the wheel as pictured.

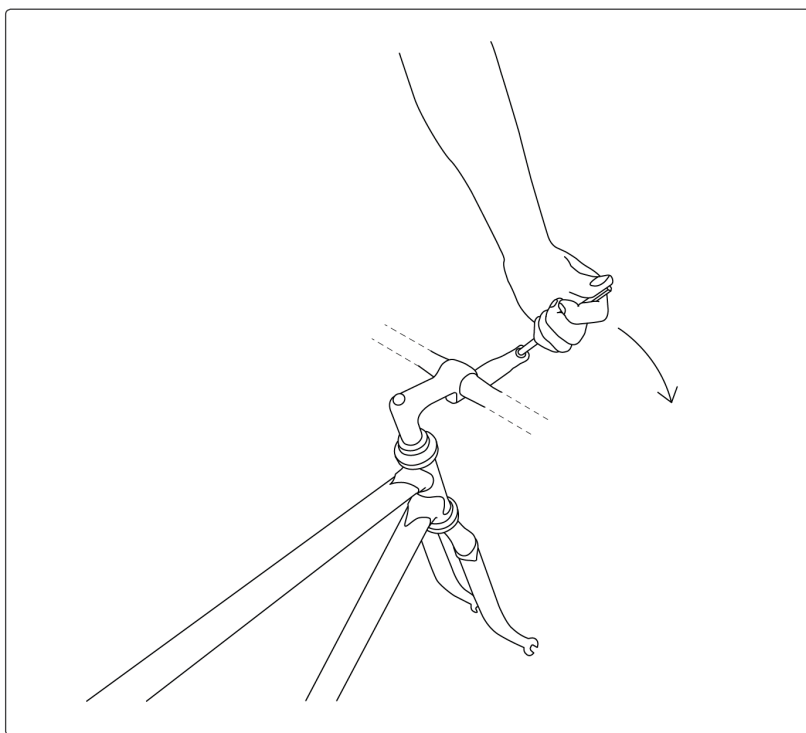


With the bars straight and at the right height, use a 6mm allen key to tighten the top bolt of the stem.

FOR DROP OR BULLHORN HANDLEBARS ONLY

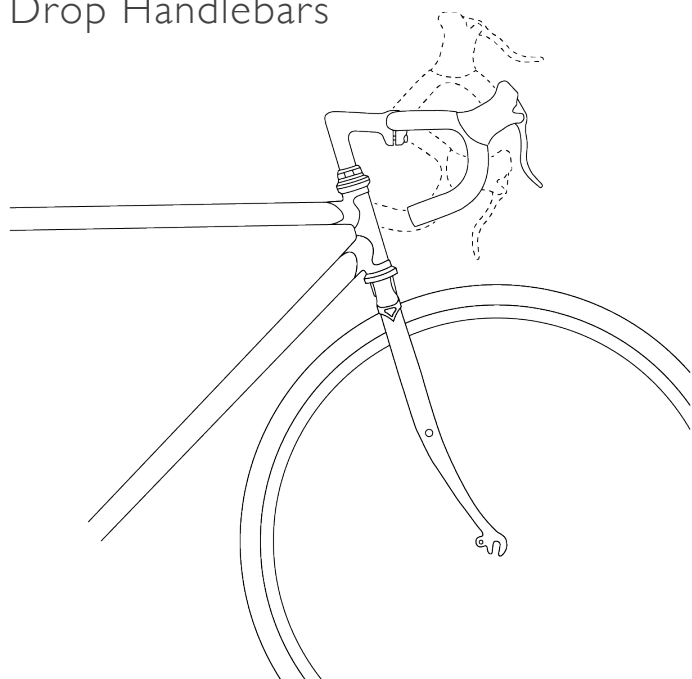
Tools Needed: 6mm allen key

Parts Needed: None



If your bike has drop or bullhorn handlebars, you need to adjust the angle to the correct position. Start by using a 6mm allen key to loosen the bolt at the front of the stem.

Drop Handlebars



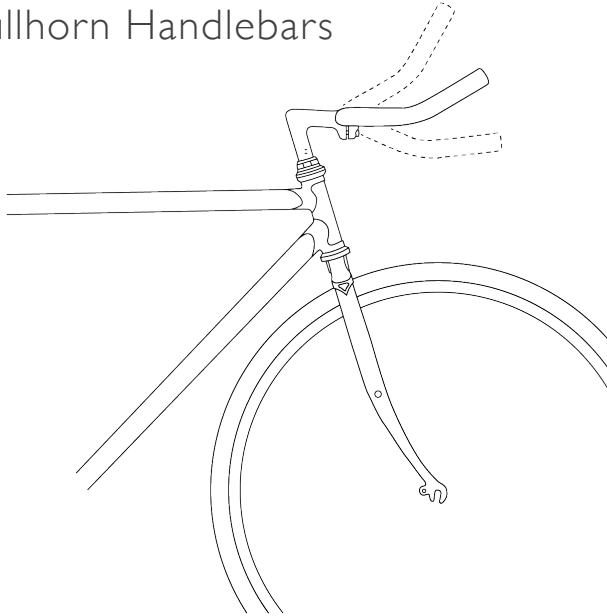
Next adjust the angle of your handlebars to the correct position. Please refer to the illustration for guidance. You can deviate from this slightly in order to create a position which feels best for you.

FOR DROP OR BULLHORN HANDLEBARS ONLY

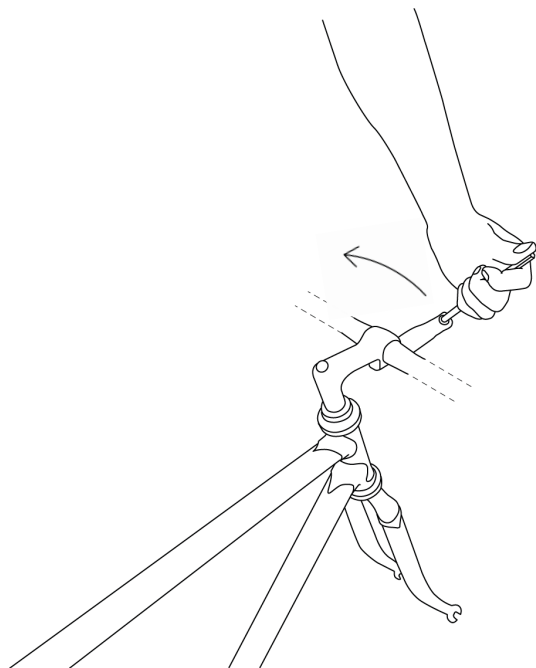
Tools Needed: 6mm allen key

Parts Needed: None

Bullhorn Handlebars



Picture reference for suggested bullhorn handlebar angle.

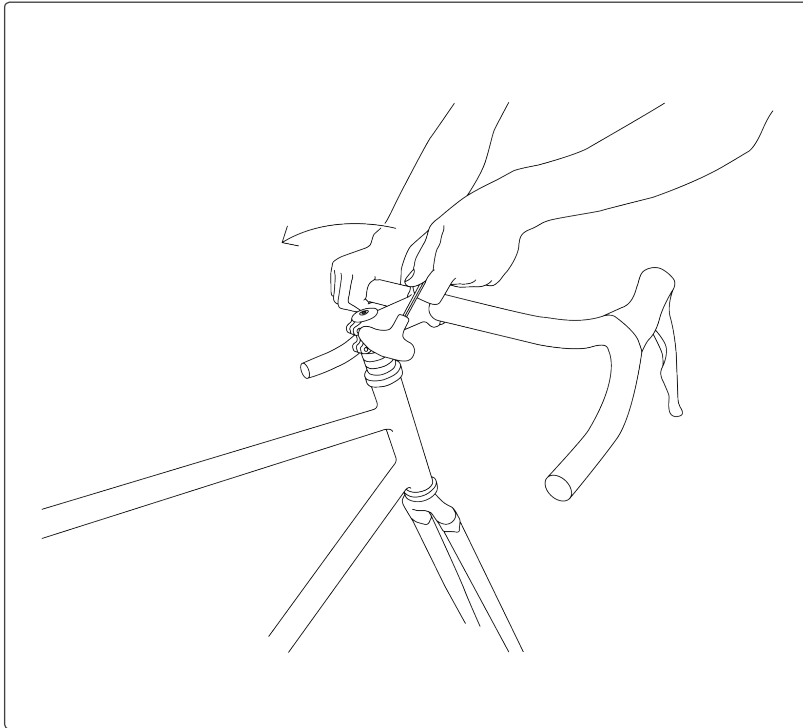


Once you have the handlebars in the desired position, retighten the bolt at the front of the stem using a 6mm allen key.

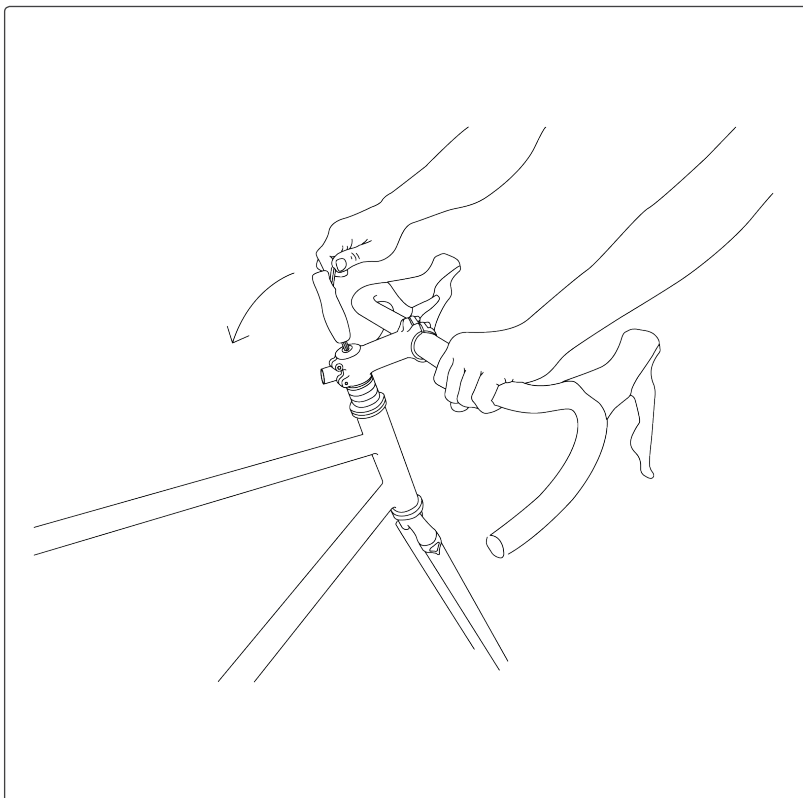
THE FOLLOWING STEP ONLY APPLIES TO THE ADVENTURE DISC MODEL

Tools Needed: 4mm allen key / 5mm allen key

Parts Needed: None



Start by loosening the two pinch bolts on either side of the stem using a 4mm allen key.

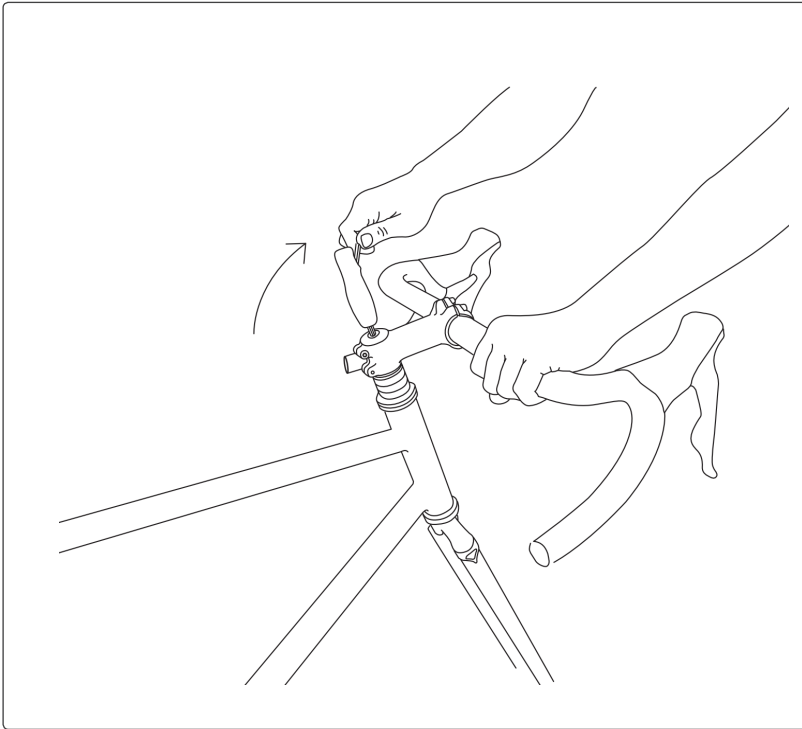


Next loosen the stem cap bolt with a 5mm allen Key. This does not need to be removed only loosened.

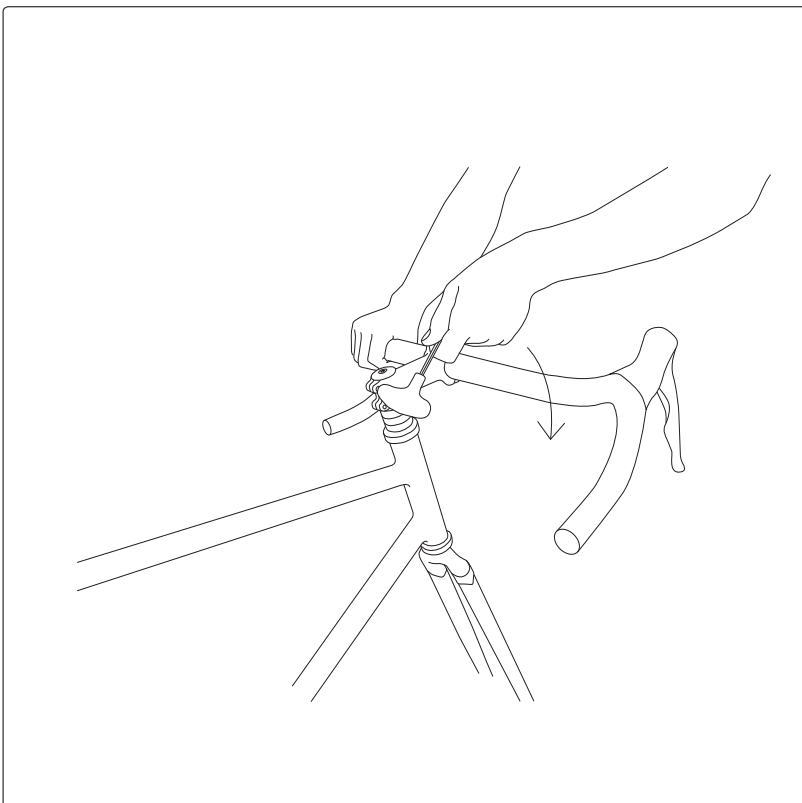
THE FOLLOWING STEP ONLY APPLIES TO THE ADVENTURE DISC MODEL

Tools Needed: 4mm allen key / 5mm allen key

Parts Needed: None



Adjust the handlebars to be straight. Then continue to re-tighten the stem cap. This should be tight enough so the wheel and handlebars move freely but not loose enough so that there is any play in the steering column.

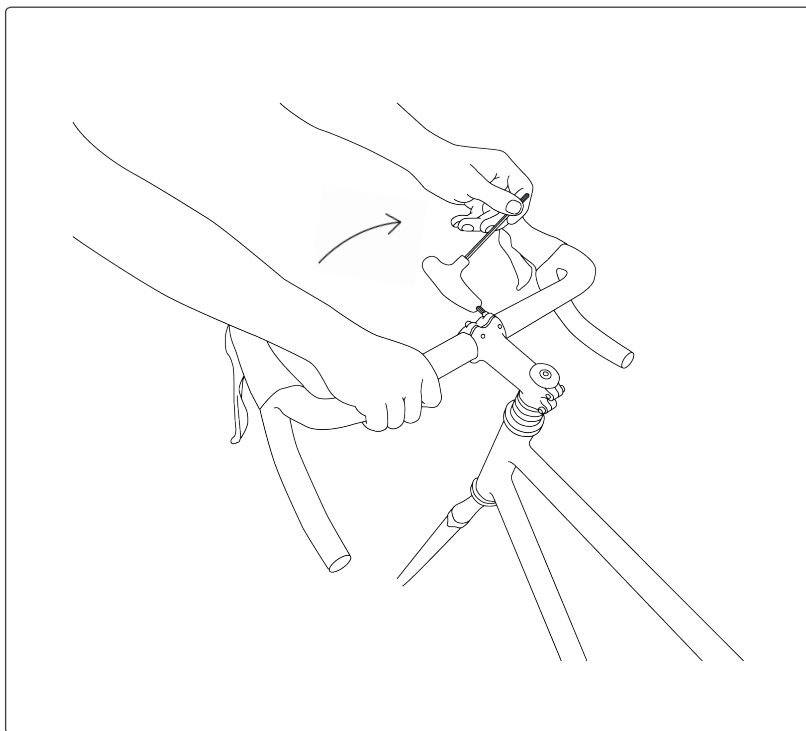


Next, tighten the two pinch bolts on either side of the stem using a 4mm Allen Key.

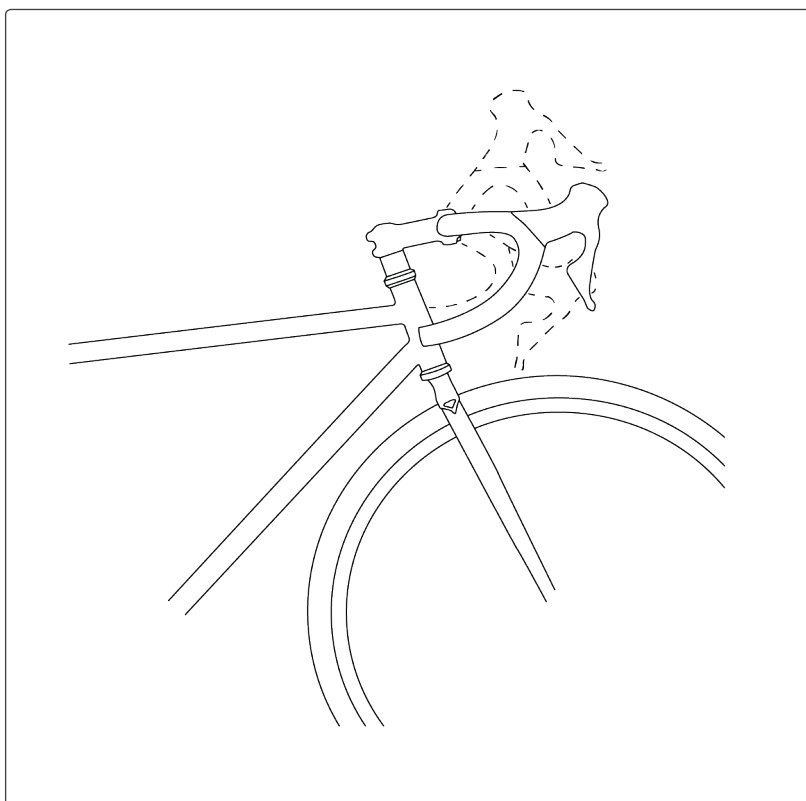
THE FOLLOWING STEP ONLY APPLIES TO THE ADVENTURE DISC MODEL

Tools Needed: 4mm allen key / 5mm allen key

Parts Needed: None



Next you will need to adjust the handlebars to the correct position. To do this start by loosening the stem front plate bolts with a 4mm allen key.

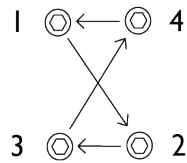
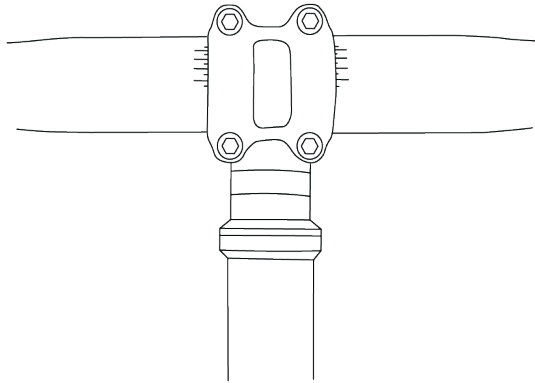


You can now move the handlebars into the correct position. Please refer to the illustration for guidance if unsure of the correct position. You can deviate from this slightly in order to create a position which feels best for you.

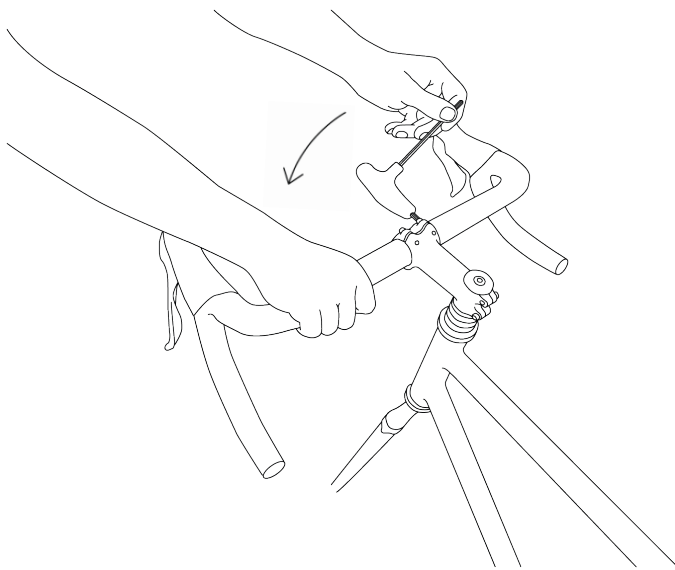
THE FOLLOWING STEP ONLY APPLIES TO THE ADVENTURE DISC MODEL

Tools Needed: 4mm / 5mm allen key

Parts Needed: None



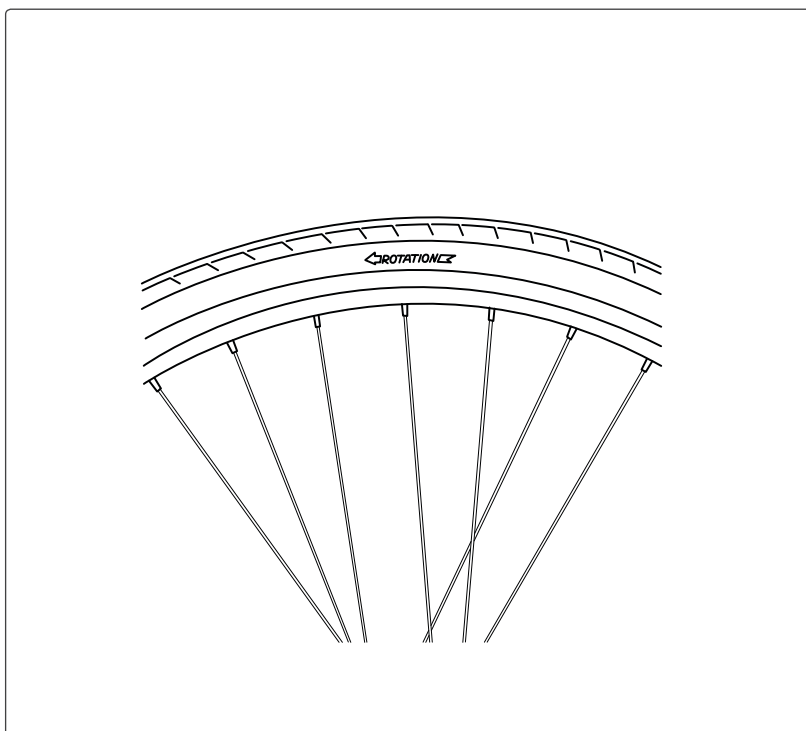
Next, tighten the the stem front plate bolts. It's important to note that these bolts need to be tightened in a cross pattern. You should also make sure not to tighten these bolts down all the way in one go, instead tighten each one a small amount incrementally, repeating the star pattern until the handlebars are secure.



Once all the stem bolts are tight please continue to the next step.

Tools Needed: None

Parts Needed: Quick release skewer & front wheel

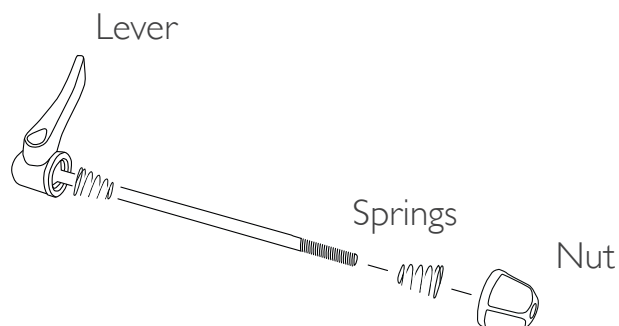


First you have to make sure your wheel is orientated in the correct direction.

Along the sidewall of the tyre there is an arrow indicating the direction of rotation.

The arrow of rotation needs to be orientated so it is facing the front of the bicycle and in the same direction as the wheel spins.

Skewer



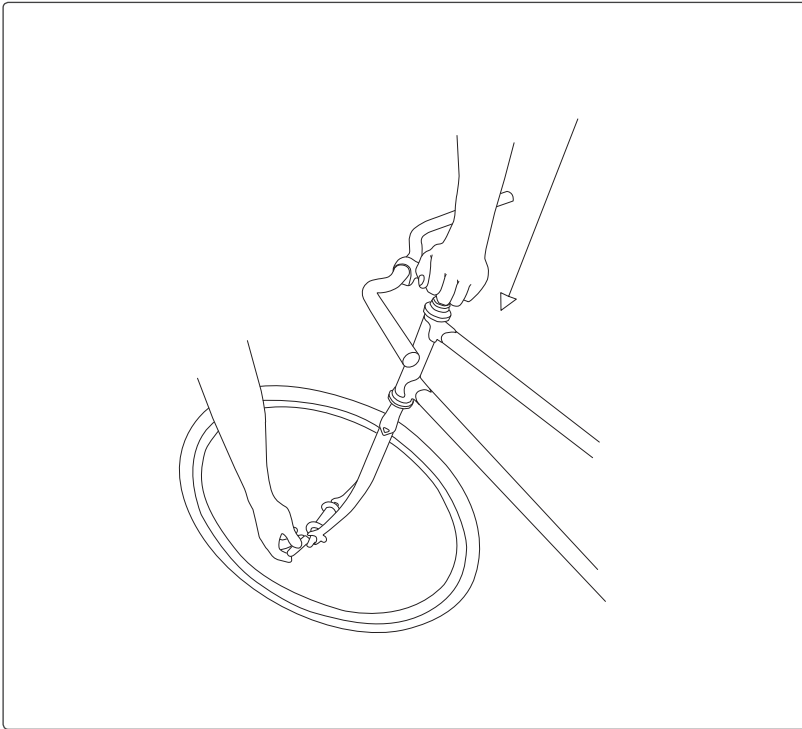
Next, take the provided skewer, unscrew the nut, and slot it through the axle of the front wheel.

Make sure that there is one small spring on each side of the wheel.

Lightly screw the skewer nut back onto the threaded portion of the skewer.

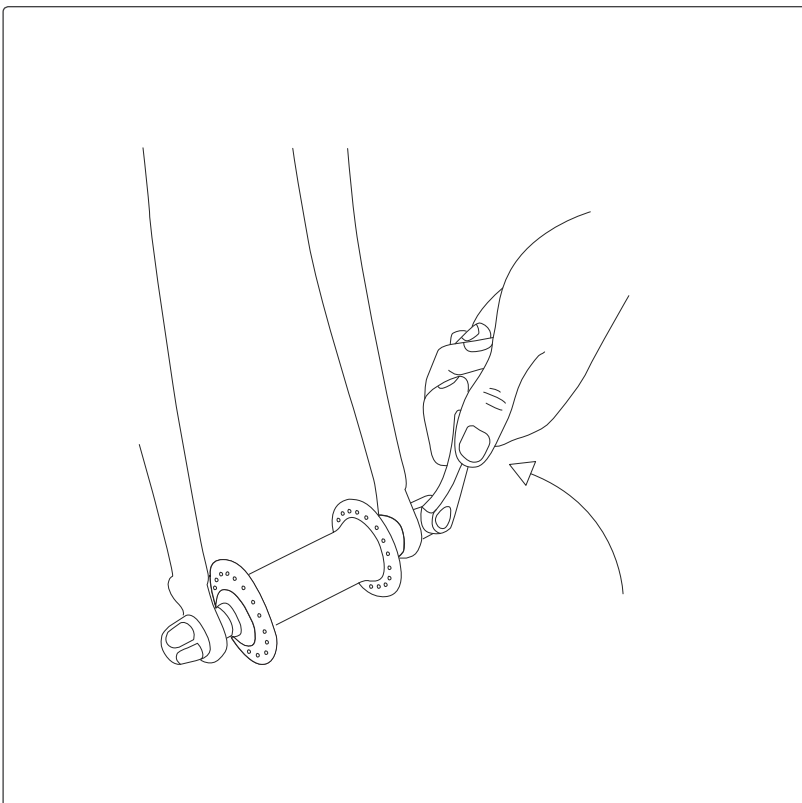
Tools Needed: None

Parts Needed: Quick release skewer & front wheel



Insert the front wheel into the bottom of the fork. Apply a small amount of downward pressure on the handlebars to ensure the wheel is seated correctly.

With the lever in the open position screw the nut until the wheel is secure but not tight.

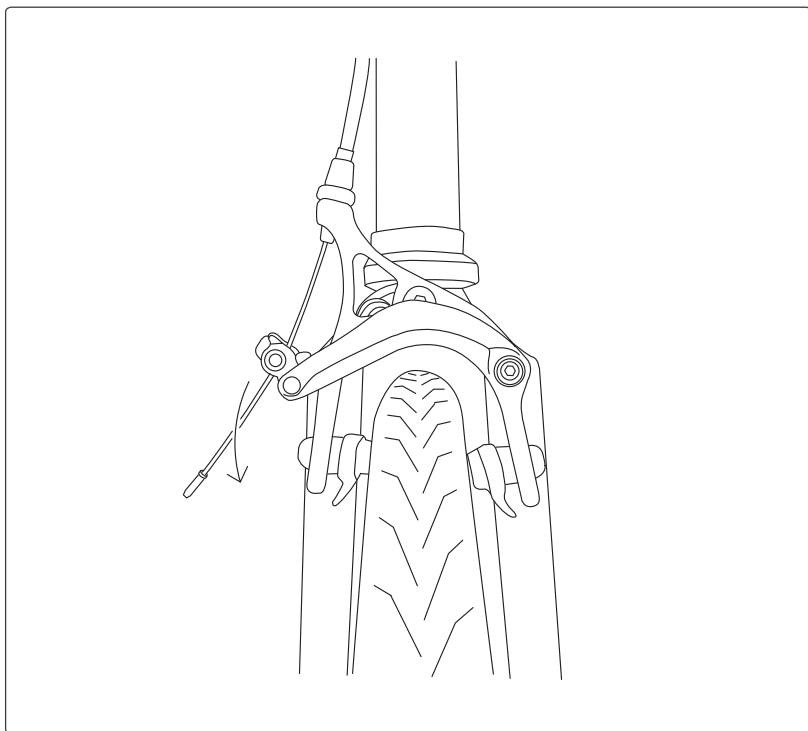


Finally clasp shut the lever; this will lock the front wheel in place, making it safe to ride.

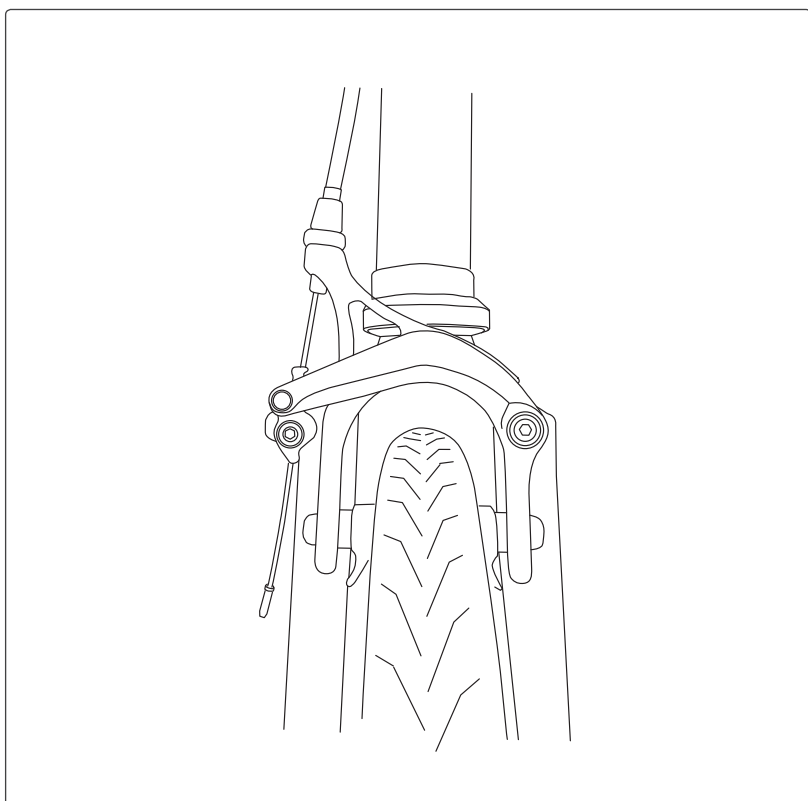
If it clasps shut too easily, then you need to continue to tighten the nut, so that clamping it shut leaves an imprint in your palm. If it is too difficult to clasp then you must loosen the nut slightly.

Tools Needed: None

Parts Needed: None



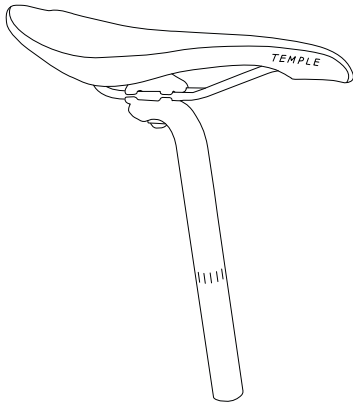
Next you will need to clip the brake calliper down into its operating position. To do this you will need to squeeze the brake pads together with your hand and push down on the black clip on the side of the brake where the cable is attached.



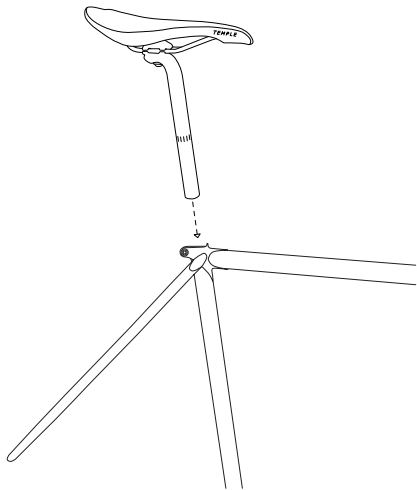
Once the brake is clipped down check the operation by squeezing on the brake lever. Make sure that the brake clamps the front wheel when the lever is pulled. Finish by spinning the front wheel. The wheel should spin freely. If it does not, check that the wheel is aligned centrally between the two brake pads. If it is not, manipulate the brake so that the brake pads are equidistant from the rim.

Tools Needed: 5mm allen key / 4mm allen key

Parts Needed: Saddle & seat post



Next you will need to install the saddle and seat post into your bike.

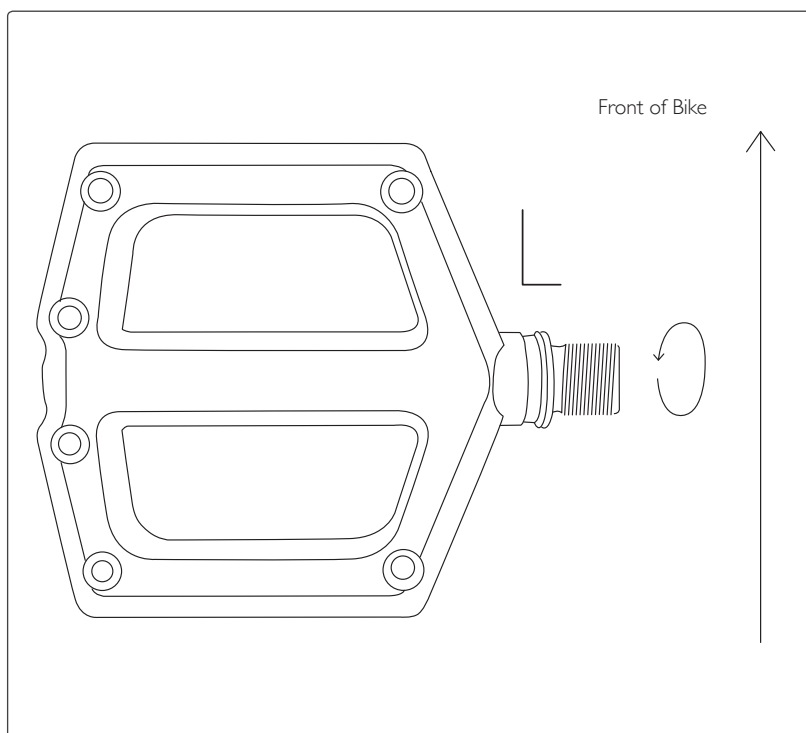


Insert the seatpost into your frame making sure that the minimum insertion marks are hidden within the frame. Proceed to adjusting the saddle to your desired riding height. Then tighten the the clamp bolt with a 4mm or 5mm allen key.

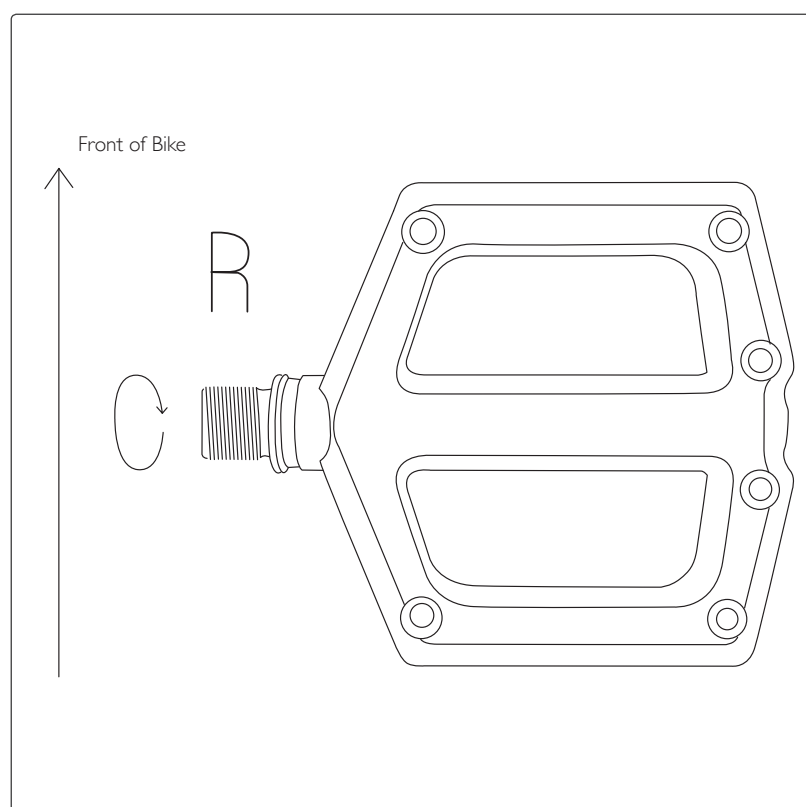
THE FOLLOWING STEP ONLY APPLIES TO THE ADVENTURE DISC MODEL, FOR OTHER MODELS SKIP TO STEP 8

Tools Needed: 8mm allen key

Parts Needed: Pedals



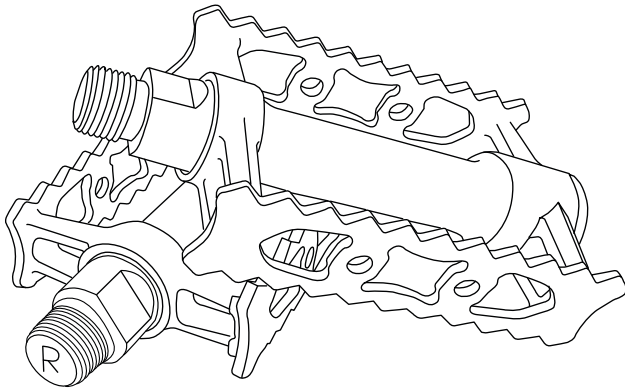
When installing the pedals included with the Adventure Disc you need to identify the left and right pedal. To do this, inspect the threaded portion of each pedal. The threads should taper in one direction. The correct orientation is when both threads taper inwards towards the front of the bike when the pedal is positioned on the correct side of the bike. Please refer to the illustrations.



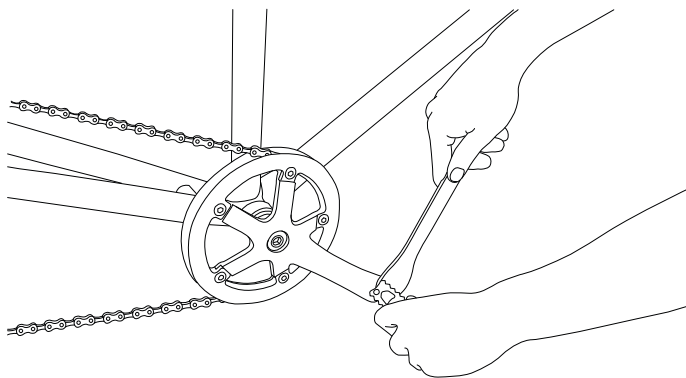
To install the pedals you need to use an 8mm allen key. The allen socket is located at the end of the pedal axle. Again it is very important to note that each pedal has a different directional thread. As a rule when tightening pedals you should always be rotating the left pedal anti clockwise and the right pedal clockwise. Another way to remember is that when tightening pedals you should be rotating the allen key towards the front of the bike on both sides.

Tools Needed: 15mm spanner

Parts Needed: Pedals



Now you can attach the pedals onto your bike. Start by looking on your pedals to find the mark showing if it is a left or right hand pedal, usually indicated by an L or R.



Making sure you are using the correct pedal for each side. Begin to screw in the pedals using either a 15mm spanner. It is VERY important to note that each pedal has a different directional thread. As a rule, when tightening pedals you should always be rotating the left pedal anti clockwise and the right pedal clockwise. Another way to remember is that when tightening pedals you should be rotating the spanner towards the front of the bike on both sides.

After making sure to complete all the steps outlined in this guide you'll be very close to being ready to take your brand new bicycle on its first ride! But first there are some final checks to complete to make sure your bike is safe.

FINAL CHECKS

Check that both brakes are operating correctly

Check that handlebars and stem are secured

Check that any accessories are secured

Check that the tyres are adequately seated and inflated

Check that handlebars and stem are secure

If in any doubt about any of these steps please take your bike to your local bike shop to be assessed by a qualified mechanic.

AFTER CARE

Your bike will need some care throughout the duration of its life to keep it operating perfectly.

We recommend:

Store in a dry place

Keep your bicycle clean

Perform basic checks regularly: Tyre pressure, chain lubrication, bolts are tight

Service your bike or take it to be serviced at your local bike shop every 6 months if used daily

That's it you're ready to ride

We hope that your new bicycle is everything you imagined and more. Now comes the fun part, you're ready to ride! Whether you're a city dweller or a country rider, we'd love to hear about what you get up to on your bike. Feel free to tag us using @templecycles in any of your social media posts.