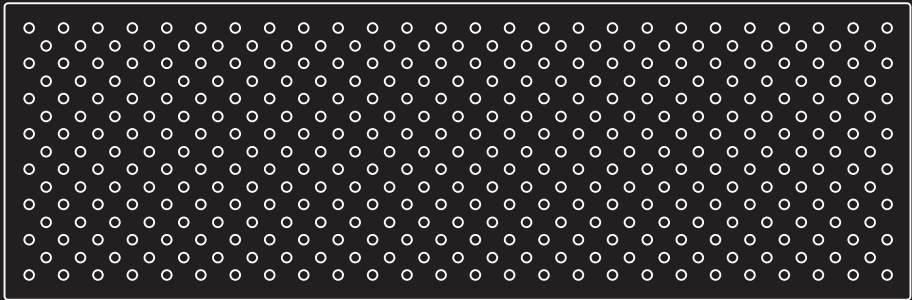
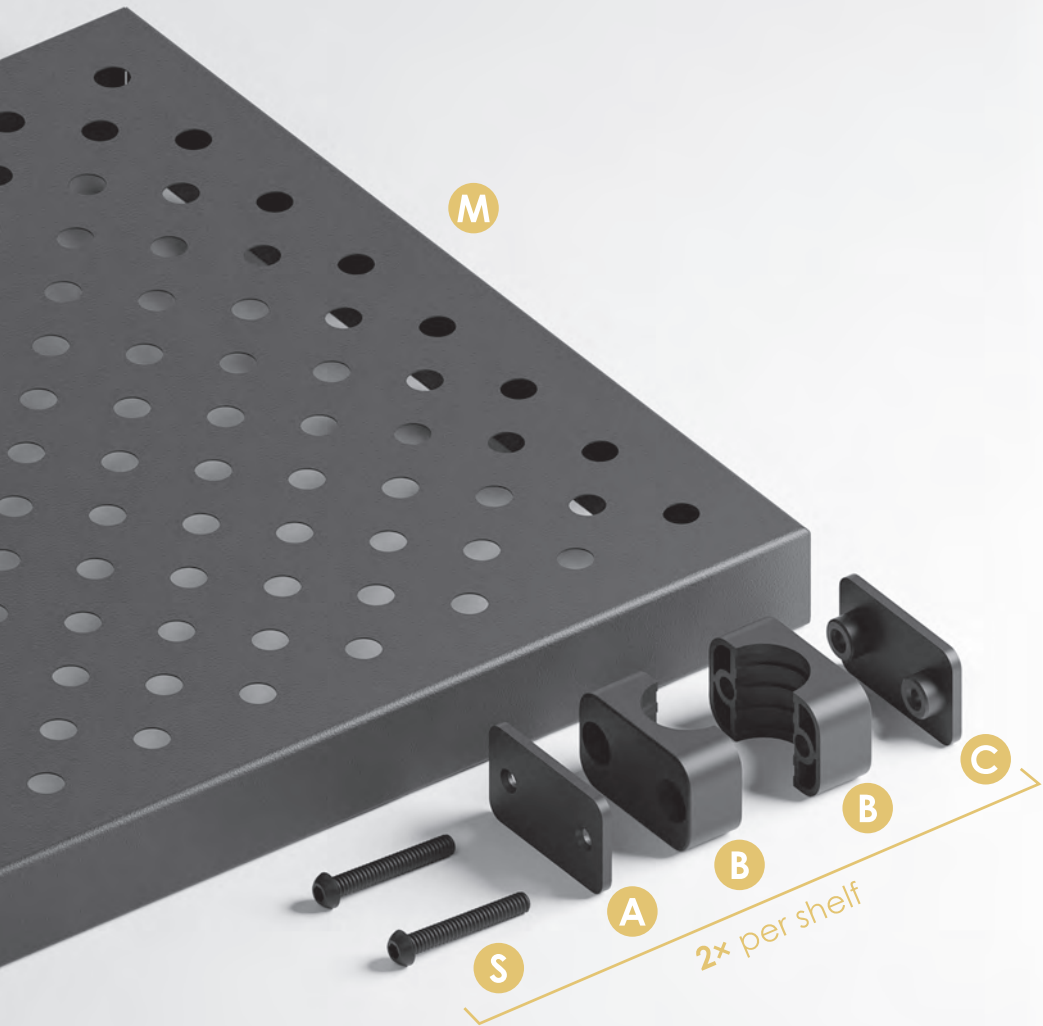


Manual Metal shelf



pamo.

US DE ↻



PAMO METAL FLOOR

Scope of delivery

Please check your order for completeness. In case of problems our support is there for you.

| | Naming | required tools |
|----------|---------------|-----------------------|
| M | Metal shelf | Allen wrench 4 mm |
| S | Screws | |
| A | Cover plate | |
| B | Pipe holder | |
| C | Counter plate | |



1. STEP

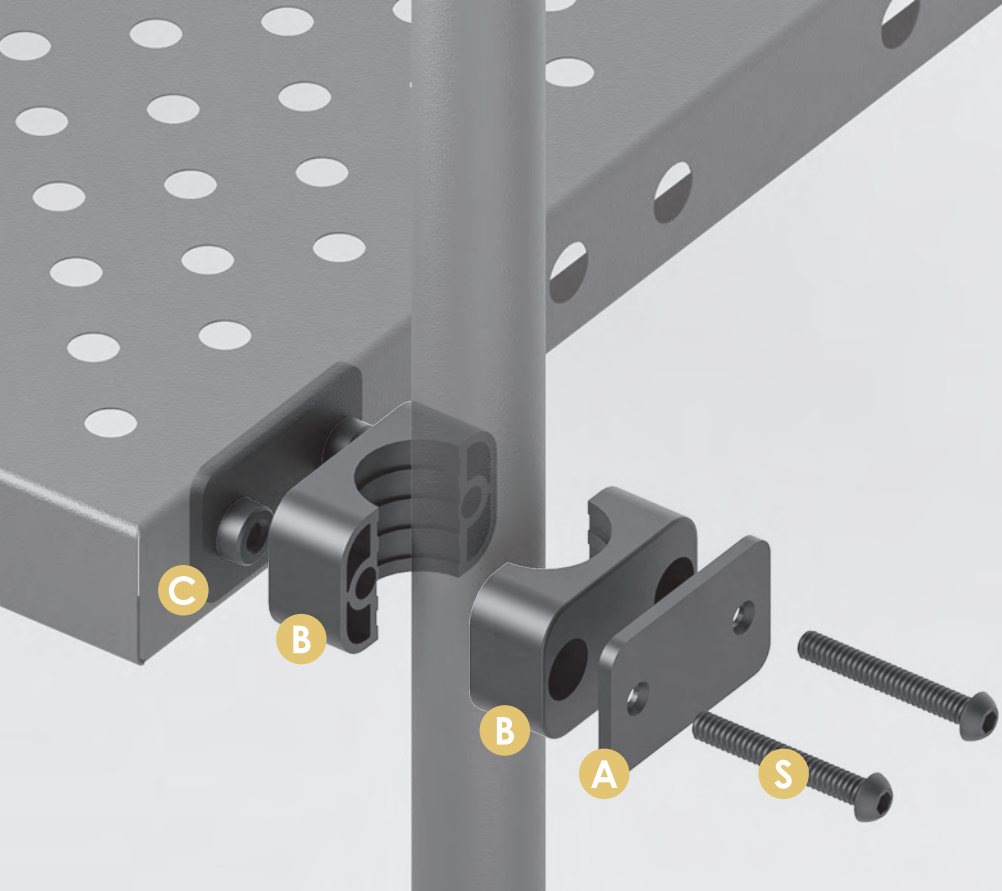
Select position

The metal shelves can be set at **any height** and at **three different depths**.

Maximum load capacity (20 kilos)

Do not exceed maximum load capacity.

SaleLab Inc. is not liable or responsible for any damage to goods or injury caused by incorrect or improper installation.



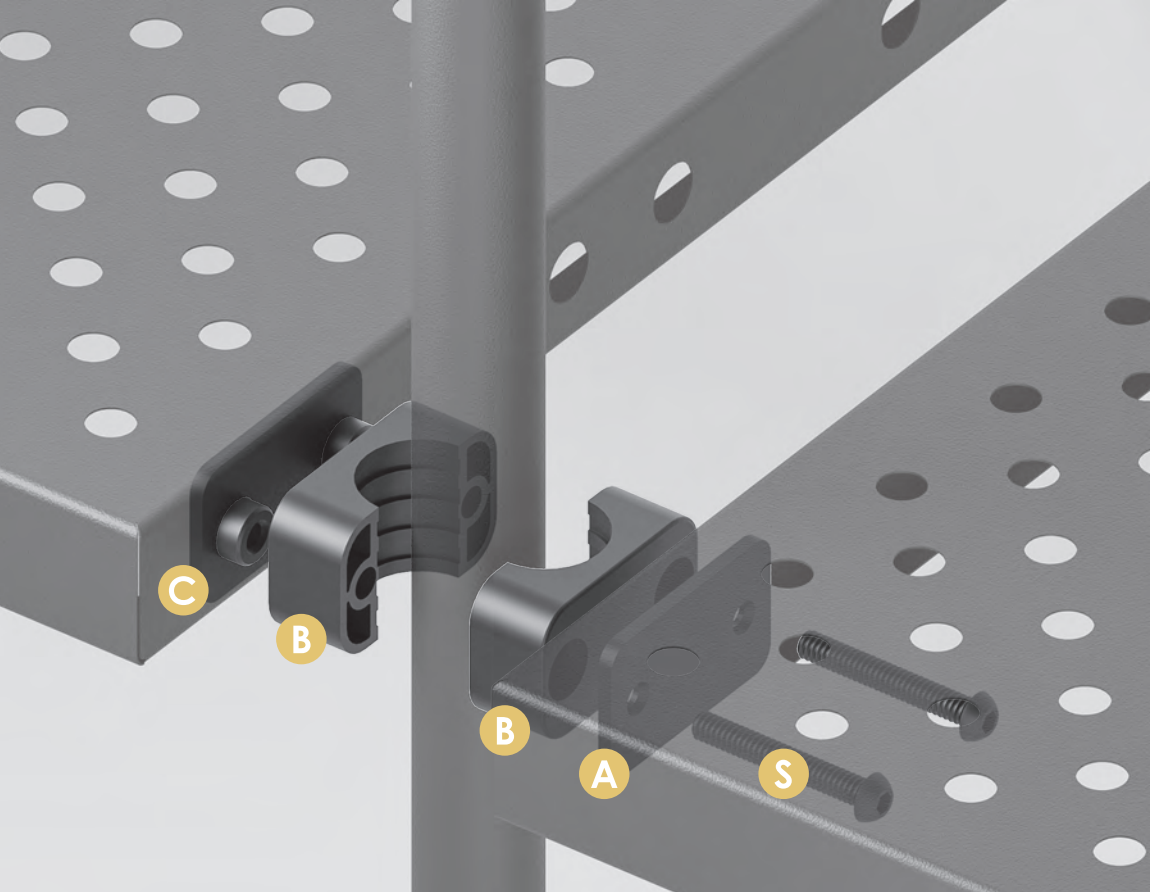
CAUTION: Crush hazard

Moving parts can crush and cut.

2. STEP

Mount individual shelf

- 1 Insert the **counter plate (C)** from the inside into the desired position.
- 2 Place the **pipe holder (B)** around the pipe and put on the **cover plate (A)**.
- 3 Tighten the **screws (S)** with an Allen key (4 mm).
- 4 Repeat **steps 1–3** on the other side.



! **CAUTION: Crush hazard**
Moving parts can crush and cut.

OPTIONAL

Mount multiple shelves

- 1 Insert the **counter plate (C)** from the inside into the desired position.
- 2 **Place the pipe holder (B)** around the pipe.
- 3 Insert the **screws (S)** and **cover plate (A)** from the inside through the second shelf and tighten with Allen key (4 mm) screw tight.
- 4 Repeat **steps 1–3** on the other side.

Support

We are happy to help you

✉ support@salelab.de

🌐 pamo-design.de

📷 [pamo.design](https://www.instagram.com/pamo.design)

pamo.