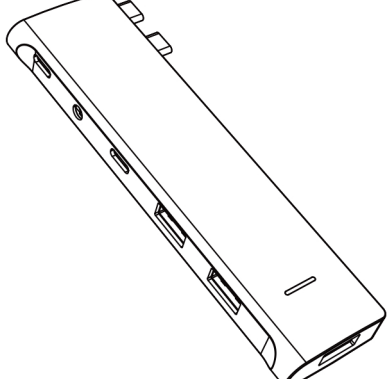


Instruction Manual

USB-C Multifunction HUB

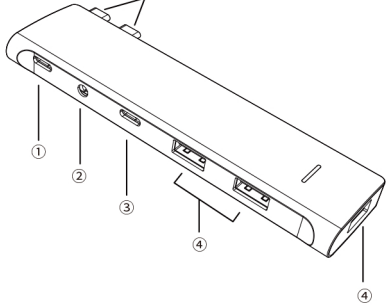


ENGLISH

Product Introduction

This USB-C Multifunction Hub is tailor-made for 2016/2017 /2018/2019/2020/2021 MacBook Pro and 2018/2019/2020 /2021 MacBook Air. It features a Thunderbolt 3 port, 3.5mm Audio/Mic、 USB-C Data、 3xUSB3.1, 10Gbps data speed ports. Simply plug and play to expand your MacBook's capabilities.

Structure Diagram

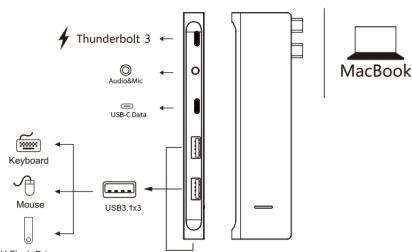


- 1.Thunderbolt 3
- 2.3.5mm Audio/Mic
- 3.USB-C Data (10Gb/s)
- 4.USB-A 3.1
- 5.USB-C Male

Features

- 1. Thunderbolt 3:
Extend the Thunderbolt 3 from MacBook and keep the original specification.
 - Up to 40Gbps data speed.
 - Up to 5K or 2x4K @60Hz Video
 - Up to 100W Power Delivery (PD3.0) charging
 - Support more protocols
- 2. 3.5mm Audio & Microphone (CTIA Standard)
- 3. USB-C Data:
Up to 10Gbps data speed, backwards compatible with USB3.0/2.0/1.1. Downstream charging 5V/0.9A .
- 4. USB 3.1:
10Gbps data speed & maximum power output 5V/0.9A, backwards compatible with USB3.0/2.0/1.1

Connection



Made in China