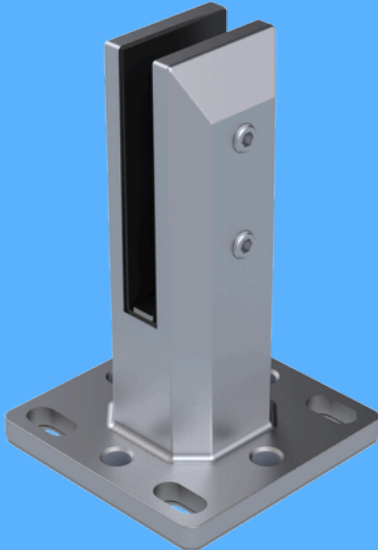




GLASS RAILING INSTALLATION INSTRUCTION

Glass Railing Installation Guide



RF GLASS RAILING INSTALLATION

TABLE OF CONTENT

1. Introduction	2
a. Safety Precautions	2
b. Tools and Materials Needed	2
2. Step-by-Step Installation Guide	3-4
a. Marking the Centerline	3
b. Marking the Spigots	3
c. Installing the Spigots	4
d. Securing the Glass Panels	4
e. Finishing Touches	5
3. Additional information	6-7
a. Maintenance and Care	6
b. Warranty Information	6
c. Installation on wood	7
d. Installation on concrete	8

RF GLASS RAILING INSTALLATION

SAFETY PRECAUTIONS

Ensure safety during installation by wearing personal protective equipment (PPE) such as safety glasses, gloves, and sturdy footwear. Handle glass panels with care and avoid lifting them alone. Clear the installation area of obstacles and debris to prevent tripping hazards. Use properly maintained tools and follow manufacturer guidelines. When drilling, avoid damaging underlying structures.

TOOLS AND MATERIALS



POWER DRILL

Choose the appropriate one



LEVEL

Useful for adjustment



MEASURING TAPE

Any measuring tape



SCREWS

3-5/16" Lag bolt or 3-1/4" concrete screws



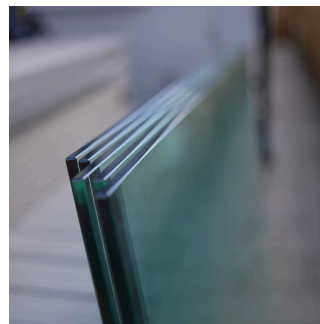
PENCIL

Always useful



DRILL BITS

1/4" drill bit



GLASS

Any 12mm glass



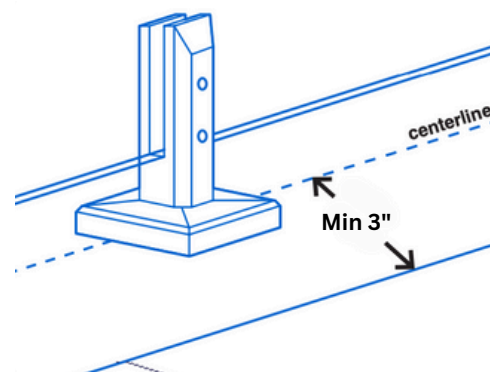
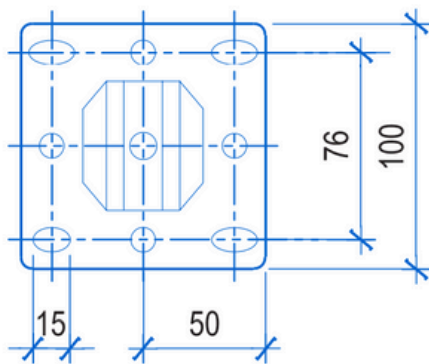
HARDWARE

Spigots and connectors

RF GLASS RAILING INSTALLATION

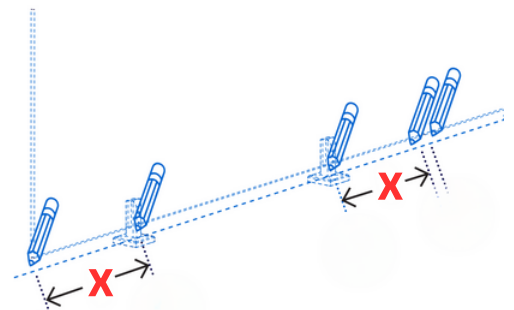
MARKING THE CENTERLINE

Mark the railing centerline across the entire span, ensuring it is positioned 3 inches from the outer edge of the deck, concrete, or structure. For multiple sections, accurately mark the centerlines of each span to ensure proper alignment and a smooth installation process.



MARKING THE SPIGOT & GLASS

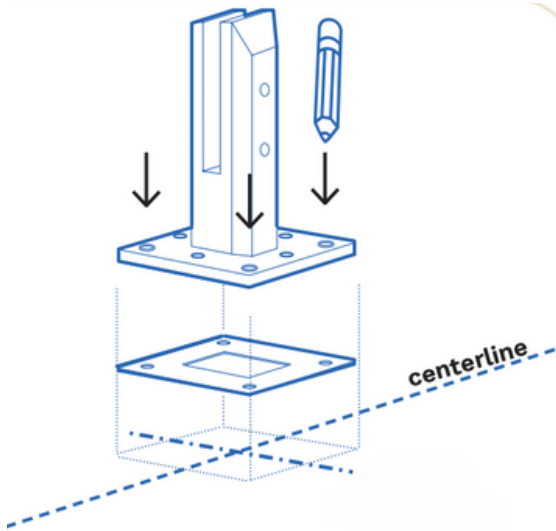
Use your plan to identify the position of each glass panel. Mark the starting and finishing points of each glass panel along the railing centerline, ensuring proper gaps between each pane of around 1" (3/4" to 2" ok). The center of the spigot should be at 25% of the glass panel width from each side.



X = 25% of the length of the glass panel

RF GLASS RAILING INSTALLATION

INSTALLING THE SPIGOT

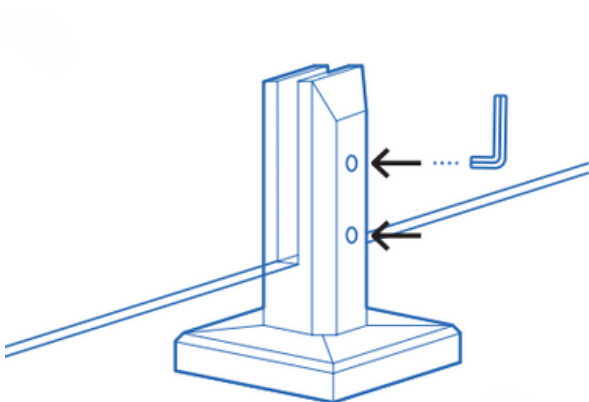


Place the spigot on top of the adjustment plate. Align the spigot along the railing centerline and its respective reference mark. Pre-drill the holes for the lag head screws using the appropriate drill bit size.

Secure the spigot in place by inserting the 4 lag head screws into the pre-drilled holes. Use the 4 Allen key adjustment screws to level the spigot, then tighten the 4 lag head screws firmly.

Using your level, ensure the spigot is level to minimize future adjustments.

SECURING THE GLASS PANELS



Place the glass panel into the spigot, ensuring the glass only contacts the plastic inside and not the metal. Secure the glass panel by tightening the Allen key screws in the spigot.

The glass does not need to touch the bottom of the groove in the spigot; it can stay raised if needed for adjustment.

RF GLASS RAILING INSTALLATION

FINISHING TOUCHES



One of the most important steps is to ensure all your glass panels are leveled. You can do this by raising the glass slightly in the spigot and then re-tightening the screws on the side of the spigot.



Ensure all the glass panels are secured by tightening the screws on the side of the spigot as much as you can by hand.



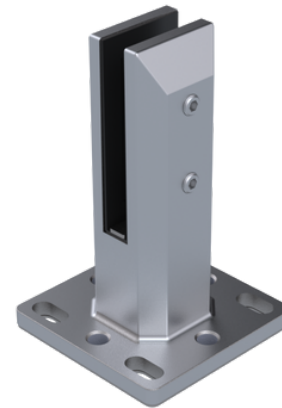
Place the connector on the top of the glass or lower, depending on your preference. Loosen the Allen key screws, then slide the clamp down into place. Set the clamp at the desired height, with a recommended 2 1/4" gap from the top of the glass to the top of the clamp. Manually tighten the inner face of the fixed clamps.

MAINTENANCE & CARE



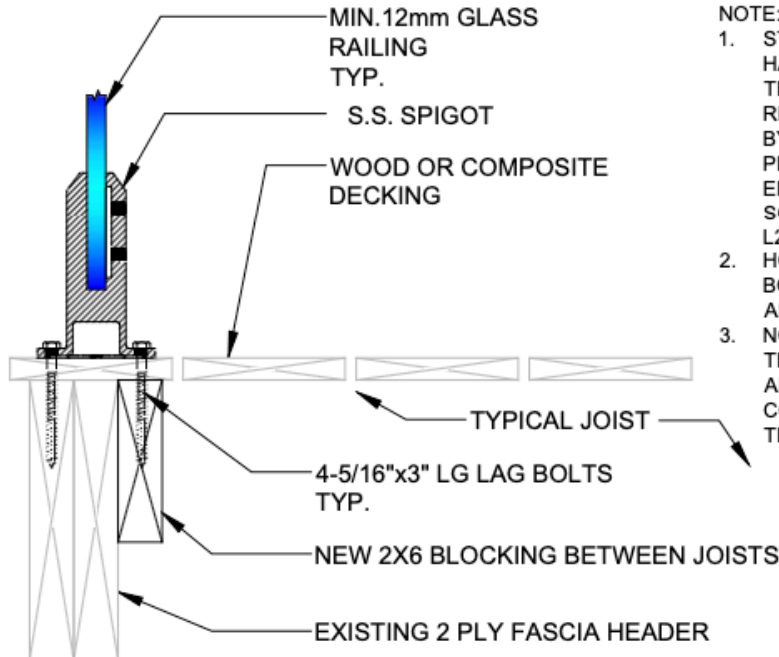
Cleaning the glass whenever dirty or once a year with the power wash should be more than enough. A life hack to clean your glass with Rain X and your glass will be super clean all year long!

WARRANTY INFORMATION



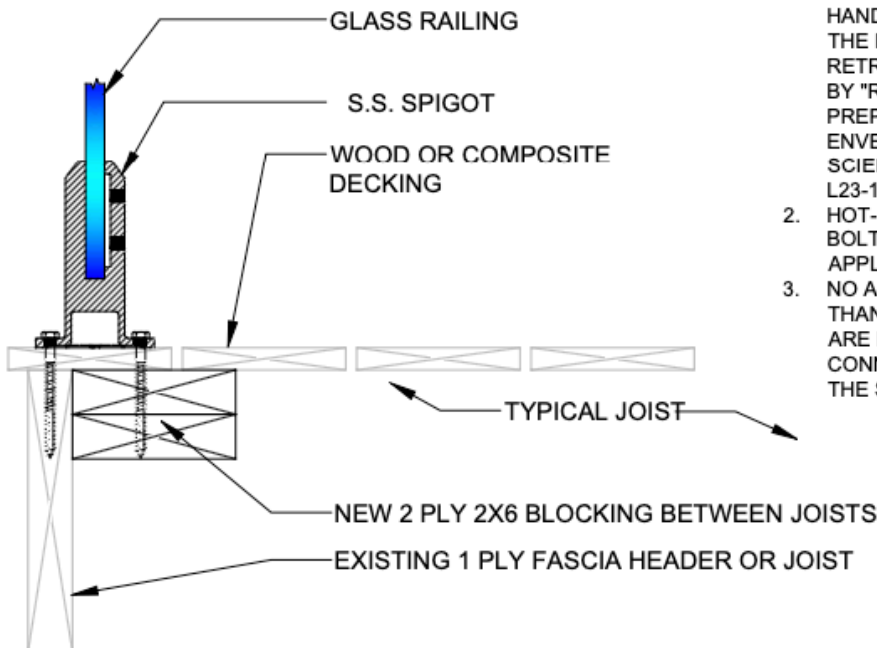
At The Glass Railing Store, we provide the highest quality products with a warranty covering both hardware and glass, ensuring customer satisfaction. Our hardware comes with a 10-year no-rust guarantee, and our glass is guaranteed to be free from manufacturing defects, meticulously inspected, and safely delivered.

WOOD SUBSTRATE



NOTE:

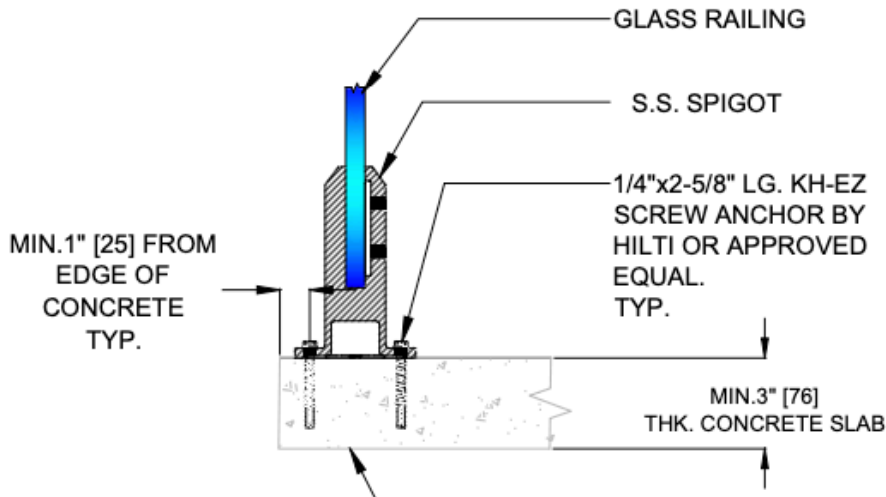
1. STAINLESS STEEL SPIGOTS & GLASS HANDRAILS DESIGNED BY OTHERS. THE DIMENSION OF THE SPIGOT ARE RETRIEVED FROM THE REPORT PROVIDED BY "RF TRANSPARENT". THE REPORT PREPARED BY "CANADIAN BUILDING ENVELOPE SCIENCE AND TECHNOLOGY" REPORT NO. L23-1577-6770A-R1.
2. HOT-DIPPED GALVANIZED OR ZINC PLATED BOLTS TO BE USED FOR OUTSIDE APPLICATIONS (TYP.).
3. NO ADDITIONAL CONNECTIONS, OTHER THAN THE SPIGOTS SPECIFIED HEREIN, ARE REQUIRED TO RENDER A STURDY CONNECTION BETWEEN THE RAILING AND THE SUBSTRATE.



NOTE:

1. STAINLESS STEEL SPIGOTS & GLASS HANDRAILS DESIGNED BY OTHERS. THE DIMENSION OF THE SPIGOT ARE RETRIEVED FROM THE REPORT PROVIDED BY "RF TRANSPARENT". THE REPORT PREPARED BY "CANADIAN BUILDING ENVELOPE SCIENCE AND TECHNOLOGY" REPORT NO. L23-1577-6770A-R1.
2. HOT-DIPPED GALVANIZED OR ZINC PLATED BOLTS TO BE USED FOR OUTSIDE APPLICATIONS (TYP.).
3. NO ADDITIONAL CONNECTIONS, OTHER THAN THE SPIGOTS SPECIFIED HEREIN, ARE REQUIRED TO RENDER A STURDY CONNECTION BETWEEN THE RAILING AND THE SUBSTRATE.

CONCRETE SUBSTRATE



NOTE:

1. STAINLESS STEEL SPIGOTS & GLASS HANDRAILS DESIGNED BY OTHERS. THE DIMENSION OF THE SPIGOT ARE RETRIEVED FROM THE REPORT PROVIDED BY "RF TRANSPARENT". THE REPORT PREPARED BY "CANADIAN BUILDING ENVELOPE SCIENCE AND TECHNOLOGY" REPORT NO. L23-1577-6770A-R1.
2. HOT-DIPPED GALVANIZED OR ZINC PLATED BOLTS TO BE USED FOR OUTSIDE APPLICATIONS (TYP.).
3. NO ADDITIONAL CONNECTIONS, OTHER THAN THE SPIGOTS SPECIFIED HEREIN, ARE REQUIRED TO RENDER A STURDY CONNECTION BETWEEN THE RAILING AND THE SUBSTRATE.

