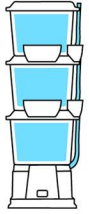
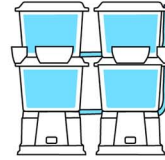
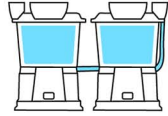


# rainwater terrace

## WATER BUTTS



The Innovative Patented Rainwater Storage System

# The Clever Bit

**1.** Rainwater is diverted from the downpipe into the top planter tray and is then picked up by the plants through capillary mats.

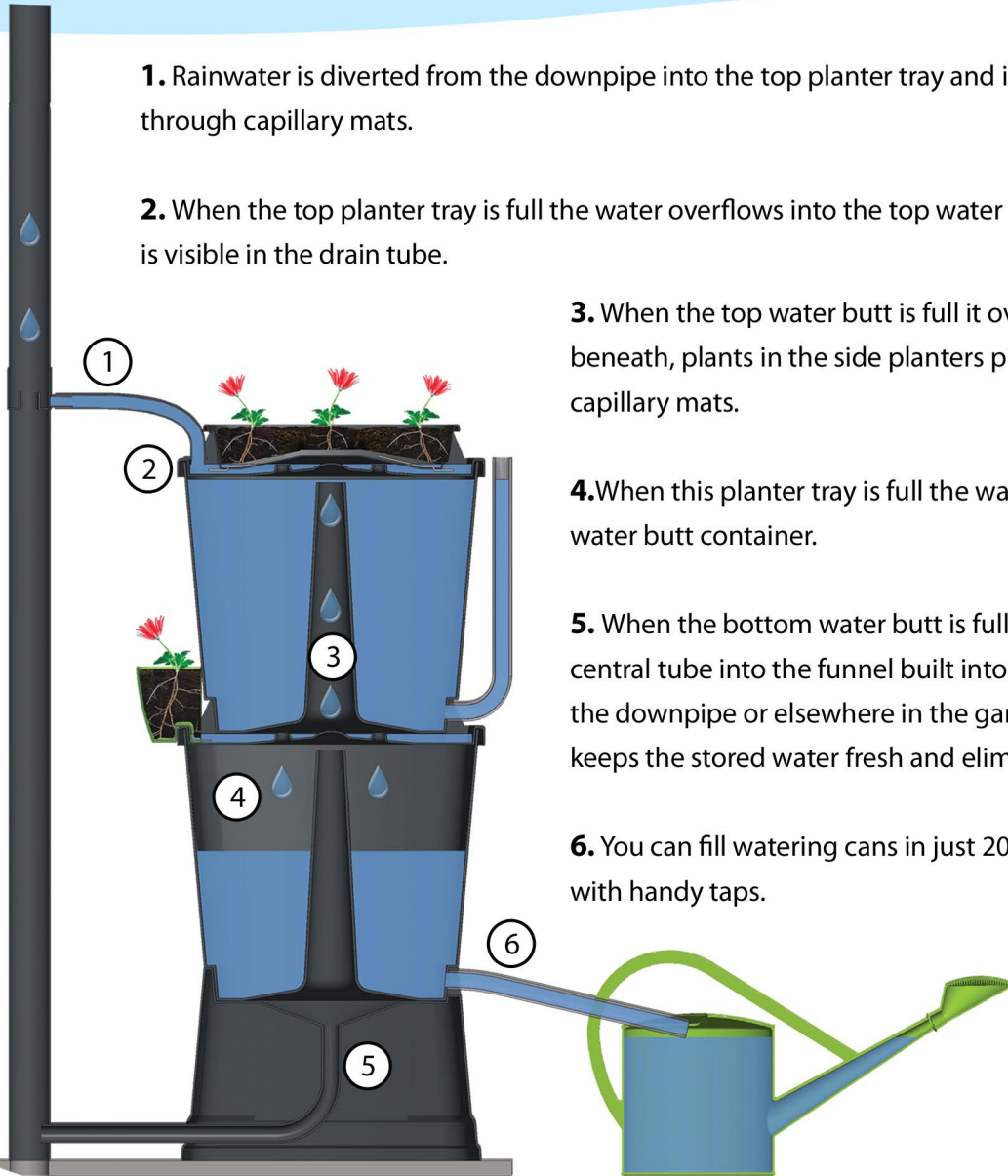
**2.** When the top planter tray is full the water overflows into the top water butt container, the water level is visible in the drain tube.

**3.** When the top water butt is full it overflows onto the planter tray beneath, plants in the side planters pick up this water through their capillary mats.

**4.** When this planter tray is full the water overflows into the bottom water butt container.

**5.** When the bottom water butt is full the water overflows down the central tube into the funnel built into the stand and is then fed back to the downpipe or elsewhere in the garden. This through flow of water keeps the stored water fresh and eliminates stagnation.

**6.** You can fill watering cans in just 20 seconds from flexible drain tubes with handy taps.



# Rainwater Terrace Storage Capacity and Colour Options

1 Tier 134 Litre

**GREEN & BLACK**



4 Models / 4 Colour Options

*(All colours available in all sizes)*

3 Tier 200 Litre

**BLACK**



2 Tier Double 268 Litre

**DARK GREEN & BLACK**



2 Tier 134 Litre

**DUCK EGG**



Standard rainwater diverter included with all water butts that fits 65mm square & 68mm round downpipes. 40mm & 50mm Adapters available for greenhouse and shed downpipes.

# What's in the Box

## Kit includes

- 1 - Top lid with top feed
- 2 - Standard lid
- 3 - 2 x 67 litre containers
- 4 - Water butt stand
- 5 - 3 x Side planter
- 6 - Top planter
- 7 - Capillary mats
- 8 - 4 x Retainer rings
- 9 - 2 x Bung
- 10 - 2 x Drain tube
- 11 - Rainwater Diverter
- 12 - Outlet tube
- 13 - Outlet grommet
- 14 - Security bracket
- 15 - Top lid security pins



This kit details the parts that are included in a 2 tier 134 litre water butt. Other sizes of Rainwater Terrace water butt are made up from different quantities and combinations of the same parts

2 Tier 134 litre water butt (shown)

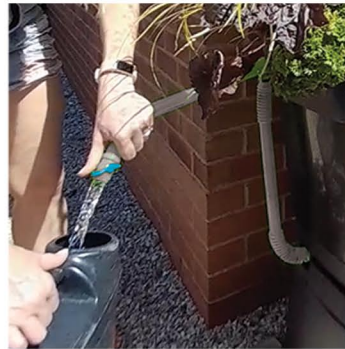
# Product Features - Unique Selling Points.



It's easy to see how much water you have collected.



Top feed from downpipe waters all planters.



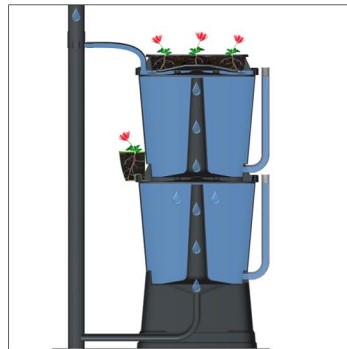
Fast flow drain tubes with taps fill watering cans in 20 seconds.



Capillary wick watering system promotes healthy root growth.



Connect water butts with connector kits to expand storage capacity.



Internal through flow keeps the stored water fresh.



Adapters available suitable for shed and greenhouse downpipes.



Wall mounting bracket for additional security. PADLOCK NOT INCLUDED.

**Easy Assembly.** The main parts fit together without tools.

**Stagnation reducing through-flow.** Once full, the stored rainwater is replenished with each new rainfall. This keeps the stored rainwater fresh.

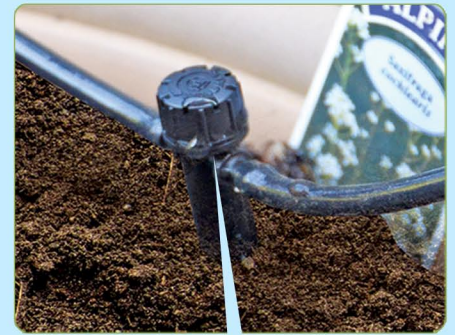
**Expandable.** Additional Rainwater Terraces can be linked to increase your storage capacity.

**Integrated Planter system.** Feeds plants from the stored rainwater perfect for growing flowers herbs and veg.

**Safety features.** Including a wall mount bracket and lid safety clips.

# Drip Irrigation Kit

Adjustable shrubler spikes can be used to let rainwater flow from the rain water storage containers to nearby planters & boards. The drip irrigation system can be turned on and off as required.



Each “Shrubler Spike” has its own adjustable valve on top which can be used to control the flow of water to each plant. This is done by turning the round knob on top of each spike.

## Kit includes

- Hosepipe Connector ①
- 10 Adjustable “Shrubler Spikes” ②
- 1 Connector 3/4” BSP to 4mm barb ③
- 10 Metres of 4mm micro hose ④
- 4 End bungs ⑤
- 2 Tee-connectors. ⑥
- 1 Filter ⑦



# 2 Tier 134 Litre Rainwater Terrace

## Product Specification

**Water storage capacity** - 134 litres

**Main material** - PP UV stable

**Carton size** - 500 x 580 x 670mm

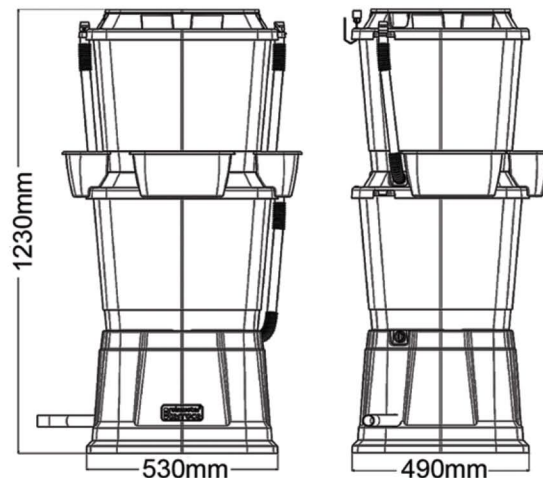
**Pack weight** - 12kg (approx.)

## Colour options

BLACK   DUCK EGG   GREEN & BLACK   DARK GREEN & BLACK



ASSEMBLED SIZE



## Pack Contents: 2 Tier 134 Litre

- 2 - 67 Litre water containers
- 2 - Planter trays
- 1 - Matching Stand
- 1 - Drain tube kit
- 3 - Side planters
- 3 - Side planter capillary mats
- 1 - Top planter
- 4 - Top planter capillary mats
- 1 - Standard rain diverter kit
- 1 - Security kit
- 1 - Outlet tube

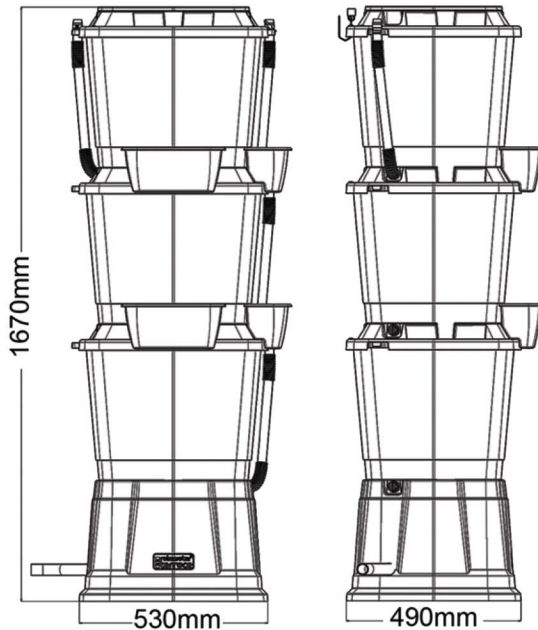
PACKED SIZE



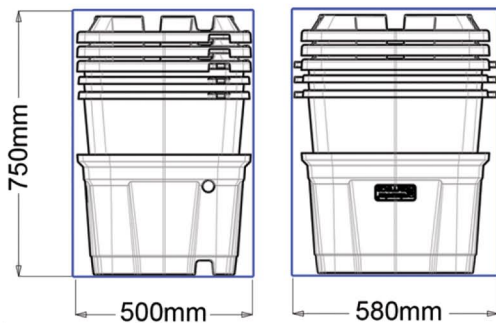
# 3 Tier 200 Litre Rainwater Terrace



ASSEMBLED SIZE



PACKED SIZE



## Product Specification

**Water storage capacity** - 200 litres

**Main material** - PP UV stable

**Carton size** - 500 x 580 x 750mm

**Pack weight** - 15kg (approx.)

## Colour options

BLACK

DUCK EGG

GREEN & BLACK

DARK GREEN & BLACK

## Pack Contents: 3 Tier 200 Litre

- 3 - 67 Litre water containers
- 3 - Planter trays
- 1 - Matching Stand
- 1 - Drain tube kit
- 4 - Side planters
- 4 - Side planter capillary mats
- 1 - Top planter
- 4 - Top planter capillary mats
- 1 - Standard rain diverter kit
- 1 - Security kit
- 1 - Outlet tube



# 1 Tier 134 Litre Rainwater Terrace

## Product Specification

**Water storage capacity** - 134 litres

**Main material** - PP UV stable

**Carton size** - 500 x 580 x 750mm

**Pack weight** - 15kg (approx.)

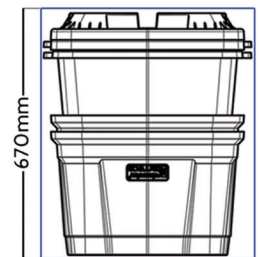
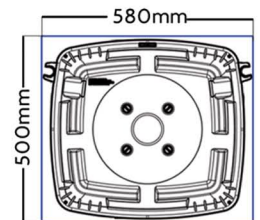
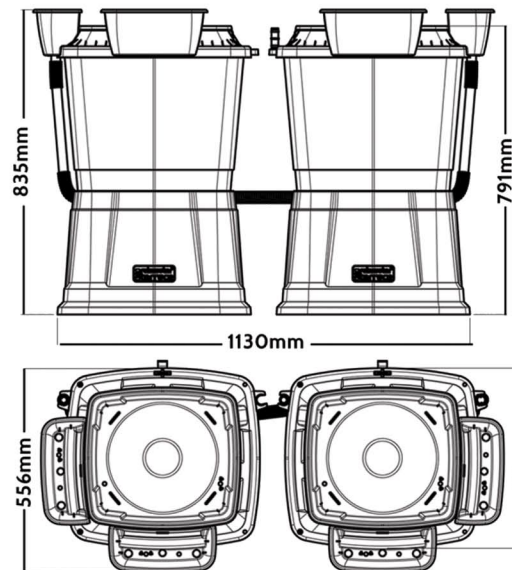
## Colour options

BLACK   DUCK EGG   GREEN & BLACK   DARK GREEN & BLACK



ASSEMBLED SIZE

PACKED SIZE



## Pack Contents: 1 Tier 134 Litre

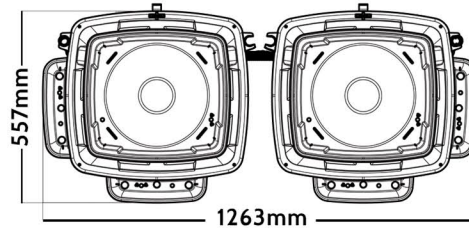
- 2 - 67 Litre water containers
- 2 - Planter trays
- 2 - Matching Stands
- 1 - Drain tube kit
- 4 - Side planters
- 4 - Side planter capillary mats
- 2 - Top planters
- 8 - Top planter capillary mats
- 1 - Standard rain diverter kit
- 2 - Security kits
- 1 - Outlet tube
- 1 - Connector kit

# 2 Tier Double 268 Litre Rainwater Terrace

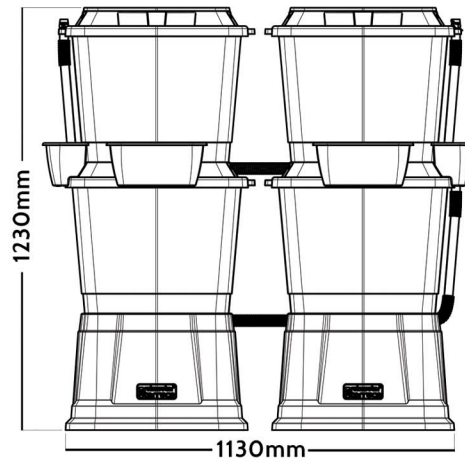
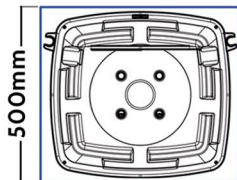


THIS PRODUCT IS  
PACKED IN 2 BOXES

ASSEMBLED SIZE



PACKED SIZE



## Product Specification

- Water storage capacity - 268 litres
- Main material - PP UV stable
- Carton size - 500 x 580 x 670mm
- Pack weight - 12kg x 2 boxes (approx)

## Colour options

- BLACK
- DUCK EGG
- GREEN & BLACK
- DARK GREEN & BLACK

## Pack Contents: 2 Tier Double 268 Litre

- 4 - 67 Litre water containers
- 4 - Planter trays
- 2 - Matching Stands
- 1 - Drain tube kit
- 4 - Side planters
- 4 - Side planter capillary mats
- 2 - Top planters
- 8 - Top planter capillary mats
- 1 - Standard rain diverter kit
- 2 - Security kits
- 1 - Outlet tube
- 1 - Connector kit

# Rainwater Terrace Planting



Since Rainwater Terrace was launched it has picked up many awards including RHS Chelsea garden product of the year finalist and Glee Best New Product in Garden Care and Retailers Choice Award.



# Rainwater Terrace is a *Design4* product



**Rainwater Terrace® side planter kits** available in:- Black, Duck egg, Dark Green, Bright Green

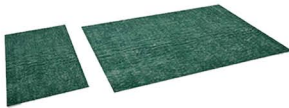
These kits come in pack sizes of 2, 3 4, 5 and 6 planters. Each planter comes with its own capillary mat.



**Rainwater Terrace® connector kits** used to link 2 or more Rainwater Terraces® together. These are available



**Rainwater Terrace® top planter** including 4 top planter capillary mats available in :- Black.  
Overall dimensions 420mm x 380mm x 70mm (approximately)



**Capillary mats** suitable for all Rainwater Terrace® planters.



**Rainwater Terrace® replacement drain tubes** available in 2 or 3 tier kits as well as individual tubes.



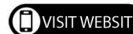
**Rainwater Terrace 40mm & 50mm adapters** for shed and greenhouse downpipes.



We are proud to say Rainwater Terrace is designed, developed and manufactured in the UK



Full range of accessories & spare parts available at [www.rainwater-terrace.com](http://www.rainwater-terrace.com)



01937 845176



[www.rainwater-terrace.com](http://www.rainwater-terrace.com)



[rainwater-terrace@design4plastics.com](mailto:rainwater-terrace@design4plastics.com)



@rainwaterterrace



@RWT\_Water\_Butt



@RainwaterTerraceWaterButt



Design 4 Plastics, 402, Birch Park, Street 7, Thorp Arch Estate, Wetherby, LS23 7FG