



School rainwater harvesting & growing system

Collects Rainwater. Rainwater Terrace water butts collect and store rainwater when connected to a downpipe.

Integrated Planter System. Feeds plants from the stored rainwater.

Detachable Planters. Ideal for planting in the class room.

Stagnation Reducing Through-flow. Once full water is circulated back to the drain, keeping the stored rainwater fresh.

Fast Flow Drain Tubes With Taps. Quickly fill watering cans or buckets to use to water your vegetable garden. Taps can be connected to the right or left side.

Water Level Indicators. See how much rainwater you have stored.

Expandable. Additional Rainwater Terraces can be linked to increase storage capacity.

Easy Assembly. The main parts fit together without tools and can be assembled as a class activity.

Secure lids. Lids are secured with safety fasteners that cannot be removed by hand.

RECYCLE **GROW** and **LEARN** with rainwater terrace



Double 2 tier Rainwater Terrace stores 268 litres of rainwater.



ANIMATION



01937 845176
www.rainwater-terrace.com
rainwater-terrace@design4plastics.com



Rainwater Terrace is **MADE IN BRITAIN**



FINALIST

SCHOOL RANGE

Side Planter Colours



1 Tier Rainwater Terrace school kit

- 134 litre water storage
- 4 side planters
- 2 top planters
- Overall size (h x w x d) (84cm x 126cm x 56cm)



2 Tier Rainwater Terrace school kit

- 134 litre water storage
- 6 side planters
- 1 top planter
- Overall size (h x w x d) (123cm x 53cm x 56cm)



2 Tier Double Rainwater Terrace school kit

- 268 litre water storage
- 8 side planters
- 2 top planters
- Overall size (h x w x d) (123cm x 126cm x 56cm)

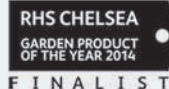
IF LARGER WATER STORAGE VOLUME IS REQUIRED LINKING KITS CAN BE USED TO LINK MULTIPLE RAINWATER TERRACES TOGETHER



01937 845176
www.rainwater-terrace.com
rainwater-terrace@design4plastics.com



Rainwater Terrace is **MADE IN BRITAIN**



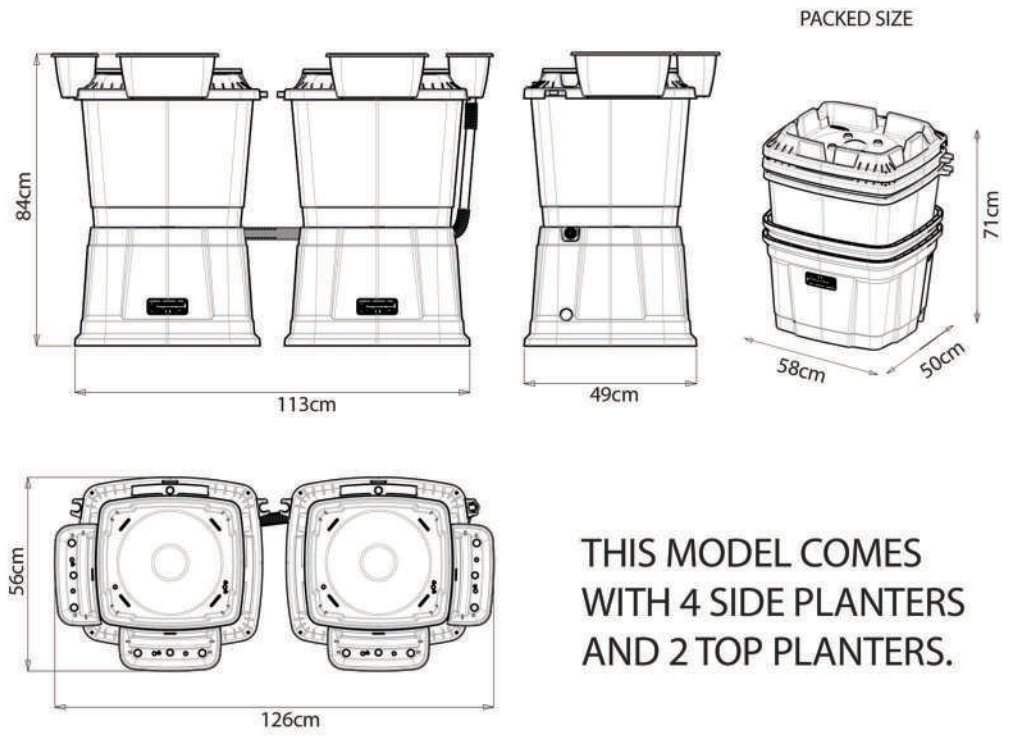
School rainwater harvesting & growing system



Double 1 Tier 134 Litre Kit

Pack Contents:

- 2 x 67 Litre Water Containers
- 2 x Planter Trays
- 2 x Plinth
- 1 x 1 Tier Drain tube kit with tap
- 4 x Side Planters
- 4 x Planter Capillary Mats
- 2 x Top Planter
- 8 x Top Planter Capillary Mats
- 1 x Standard Rain Diverter Kit
- 2 x Security Kit
- 1 x Outlet Tube
- 1 x Connector Kit
- 1 x1 Tier Assembly Instructions



THIS MODEL COMES WITH 4 SIDE PLANTERS AND 2 TOP PLANTERS.

Product Specification

Water Storage Capacity - 134 Litres
 Material Main Parts - PP UV Stable
 Carton Size - 500 x 580 x 670 mm
 Pack Weight - 12kg



01937 845176
www.rainwater-terrace.com
rainwater-terrace@design4plastics.com

MADE IN BRITAIN

Rainwater Terrace is

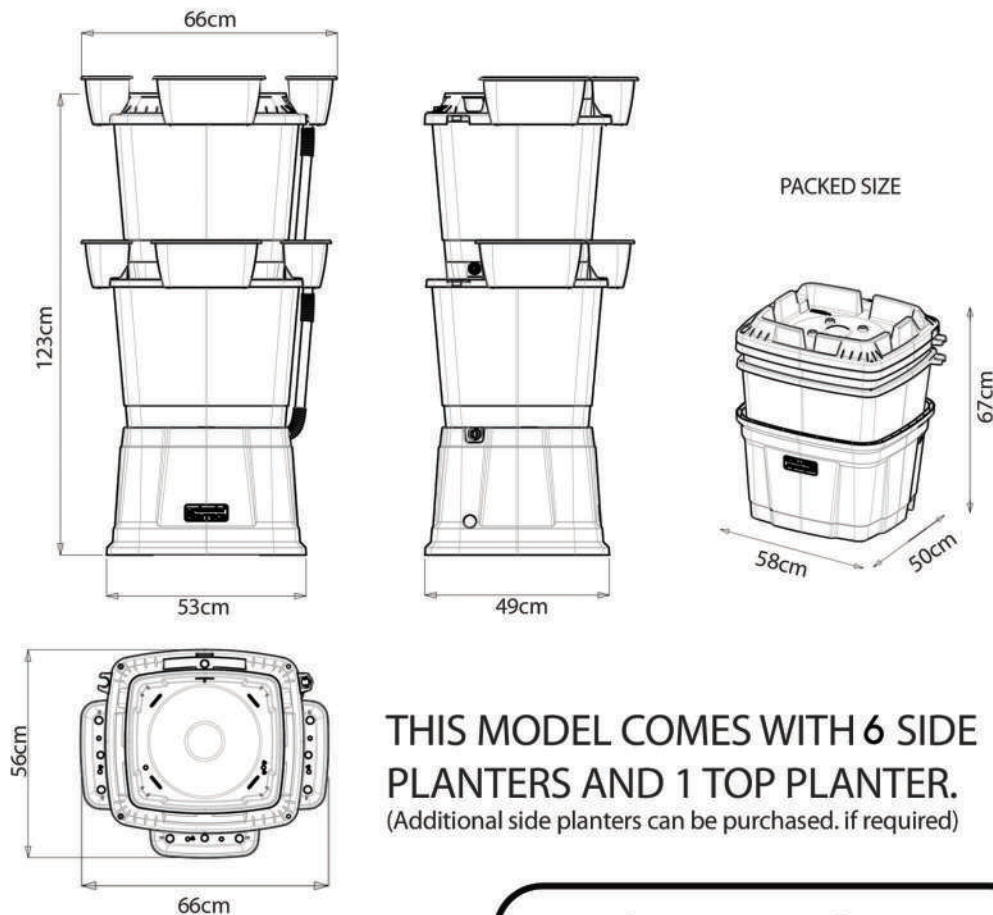




2 Tier 134 Litre Kit

Pack Contents:

- 2 x 67 Litre Water Containers
- 2 x Planter Trays
- 1 x Plinth
- 1 x 2 Tier Drain tube kit with taps
- 6 x Side Planters
- 6 x Planter Capillary Wicks
- 1 x Top Planter
- 4 x Top Planter Capillary Wicks
- 1 x Standard Rain Diverter Kit
- 1 x Security Kit
- 1 x Outlet Tube
- 1 x 2 Tier Assembly Instructions



THIS MODEL COMES WITH 6 SIDE PLANTERS AND 1 TOP PLANTER.
(Additional side planters can be purchased, if required)

Product Specification

Water Storage Capacity - 134 Litres
Material Main Parts - PP UV Stable
Carton Size - 500 x 580 x 670 mm
Pack Weight - 12Kg approx





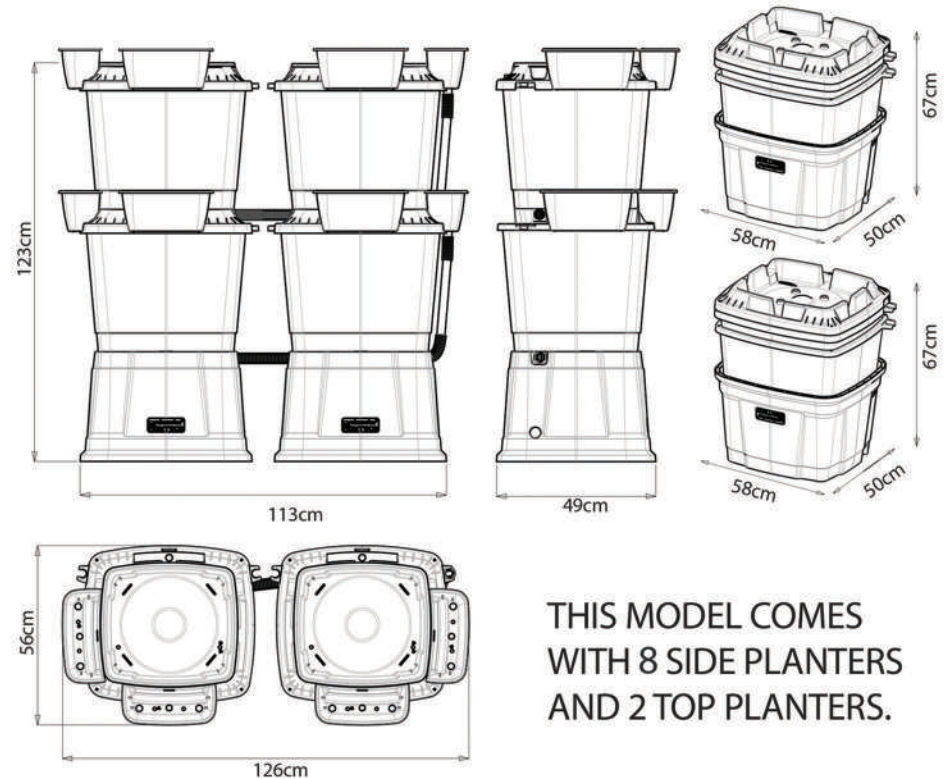
Double 2 Tier 268 Litre Kit

Pack Contents:

- 4 x 67 Litre Water Containers
- 4 x Planter Trays
- 2 x Plinth
- 1 x 2 Tier Drain tube kit with taps
- 8 x Side Planters
- 8 x Planter Capillary Wicks
- 2 x Top Planter
- 8 x Top Planter Capillary Wicks
- 1 x Standard Rain Diverter Kit
- 2 x Security Kit
- 1 x Outlet Tube
- 1 x Connector Kit
- 1 x 2 Tier Assembly Instructions

Product Specification

Water Storage Capacity - 268 Litres
 Material Main Parts - PP UV Stable
 Carton Size - 500 x 580 x 670 mm
 Pack Weight - 12kg X 2
 (this product is packed in 2 boxes)



THIS MODEL COMES WITH 8 SIDE PLANTERS AND 2 TOP PLANTERS.

