

POE-IN9002W

Industrial 2 Ports 1000Mbps/2.5G BT90W PoE Injector, Wide Voltage Input (DC 12V ~ 57V)



The POE-IN9002W is Industrial 90W PoE Injector, it can upgrade an existing network infrastructure to IEEE802.3bt PoE++ network system without changing the existing Ethernet equipment.

This Injector meet IEEE 802.3af/at/bt standard. The PoE output port can deliver up to 90W power. It supports 10/100/1000/2.5Gbps transmission rate, and the transmission distance is up to 100m. This product support relay function to alarm power supply break. It could provide a quick, safe and cost-effective 802.3bt PoE++ network solution for customers.

Outstanding Features

- Convert two ethernet ports to IEEE802.3af/at/bt 90W PoE++ port, total PoE budget 180W. These two ports are isolated, and without switching communication between them.
- Each port support 10M/100M/100M/2.5G super high transmission speed
- Unlike some software emulated PoE, this PoE injector adopts hardware IEEE802.3af/at/bt PoE chipset and compatible to both Mode A and Mode B PD device. It follows PD Detection -> Classification Type -> Power On procedures to prevent stanard PD device from damaging. And for non-standard PD devices, it also offers Force mode.
- Supports two redundant DC inputs, DC voltage 12V ~ 48V (PoE budget is 60W with DC12V input)
- Wide temperature -40 °F ~ 167 °F (-40 °C ~ 75 °C); DIN rail mount; Alarm relay on power break; 6kV surge immunity and 8kV ESD protection

Specification

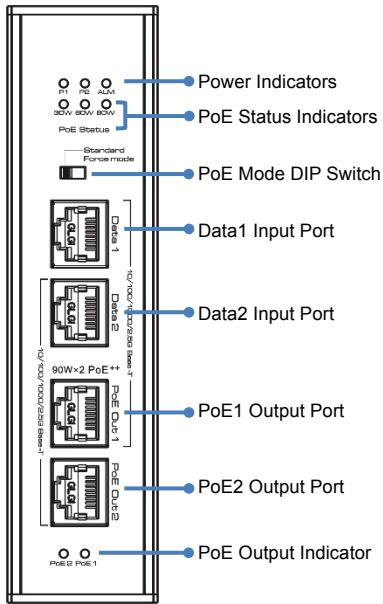
Hardware Specifications	
Copper Ports	2 * 10/100/1000/2.5G Base-T RJ-45 Data input ports 2* 10/100/1000/2.5G Base-T RJ-45 PoE output ports
Connector	Removable 4-pin terminal block for DC power: pins 1 and 2 for power 1, pins 3 and 4 for power 2 Removable 2-pin terminal block for relay alarm
Cable	Cat5e or better
Transmission Rate	10/100/1000/2.5Gbps
Transmission Distance	100m (Max)
Dimensions (W*D*H)	143mm*103mm*36mm
Net Weight	0.665kg
Power Requirements	12~57V DC
Installation	DIN-rail / Wall-mount/ Desktop
Material	Metal shell
PoE	
Device Type	PSE (Power Sourcing Equipment)
PoE Type	Mid-Span,End-Span
PoE Standard	IEEE 802.3af/at/bt
PoE Pin Assignment	3/6/4/5(+), 1/2/7/8(-)
PoE Power Output	54V DC 180W (max) 12V/60W 24V/90W 48V/180W
EMC	
EMC	FCC 47 CFR Part 15 Class A EN55032 Class AIEC61000-4-2, Level 3: Contact Discharge: ±6kV, Air Discharge: ±8kV IEC61000-4-3, Level 2: 3V/mIEC61000-4-4, Level 2: 1kVIEC61000-4-5, line to earth: 6kVIEC61000-4-6, Level 2, (0.15MHz~80MHz)
LVD	
LVD	EN 62368-1:2020EN 62328-A11:2020
Environments	
Operating	Temperature: -40°C~75°CRelative Humidity: 5%~95% (Non-condensation)
Storage	Temperature: -40°C~85°CRelative Humidity: 5%~95% (Non-condensation)
Certifications	
Certifications	CE, FCC

Dimensions

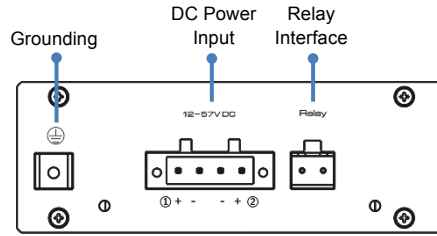


Weight:665g (1.47 lb)

Front panel



Rear panel



Application

