

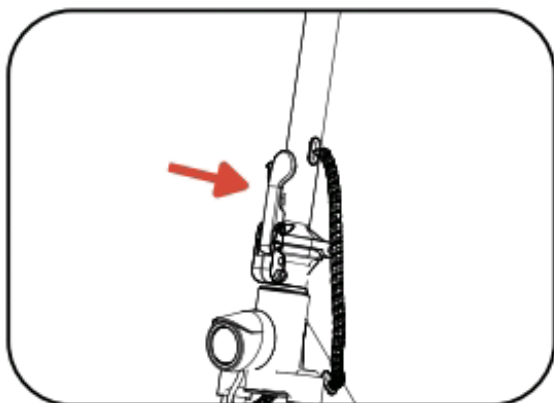


The manufacturer reserves the right to make changes to the product,
and update this manual at any time.
www.isinwheel.eu

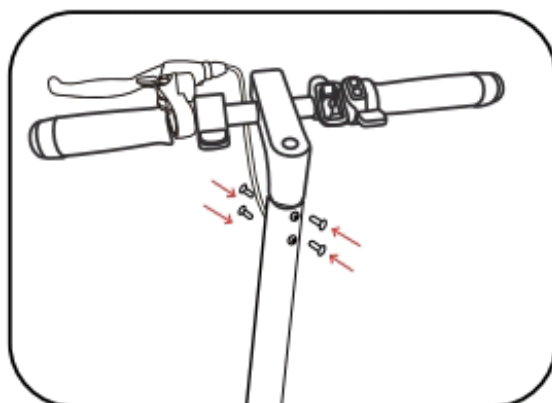
S9MAX

ELECTRIC SCOOTER
USER MANUAL

DÉMARRAGE RAPIDE

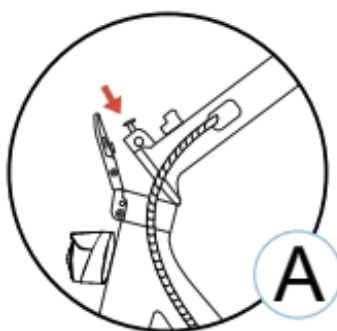


Étape 1. Fermez correctement le loquet jusqu'à ce que vous entendiez un clic. (Veillez à ce que le loquet soit bien fermé)

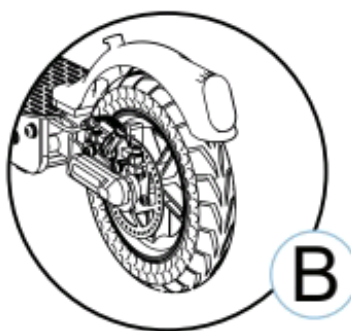


Étape 2. Insérez les 4 vis dans lestrous, puis serrez chacune d'entre elles.

CONSEILS



A) En cas de mécanisme de pliage trop lâche ou trop serré, il convient d'ajuster la vis argentée pour le rendre un peu plus haut ou un peu plus court. (Image A)



B) En cas de bruit provenant du disque de frein arrière ou de la suspension arrière (image B), veuillez nous faire parvenir un courriel à l'adresse : support@isinwheel.com POUR OBTENIR DE L'AIDE.



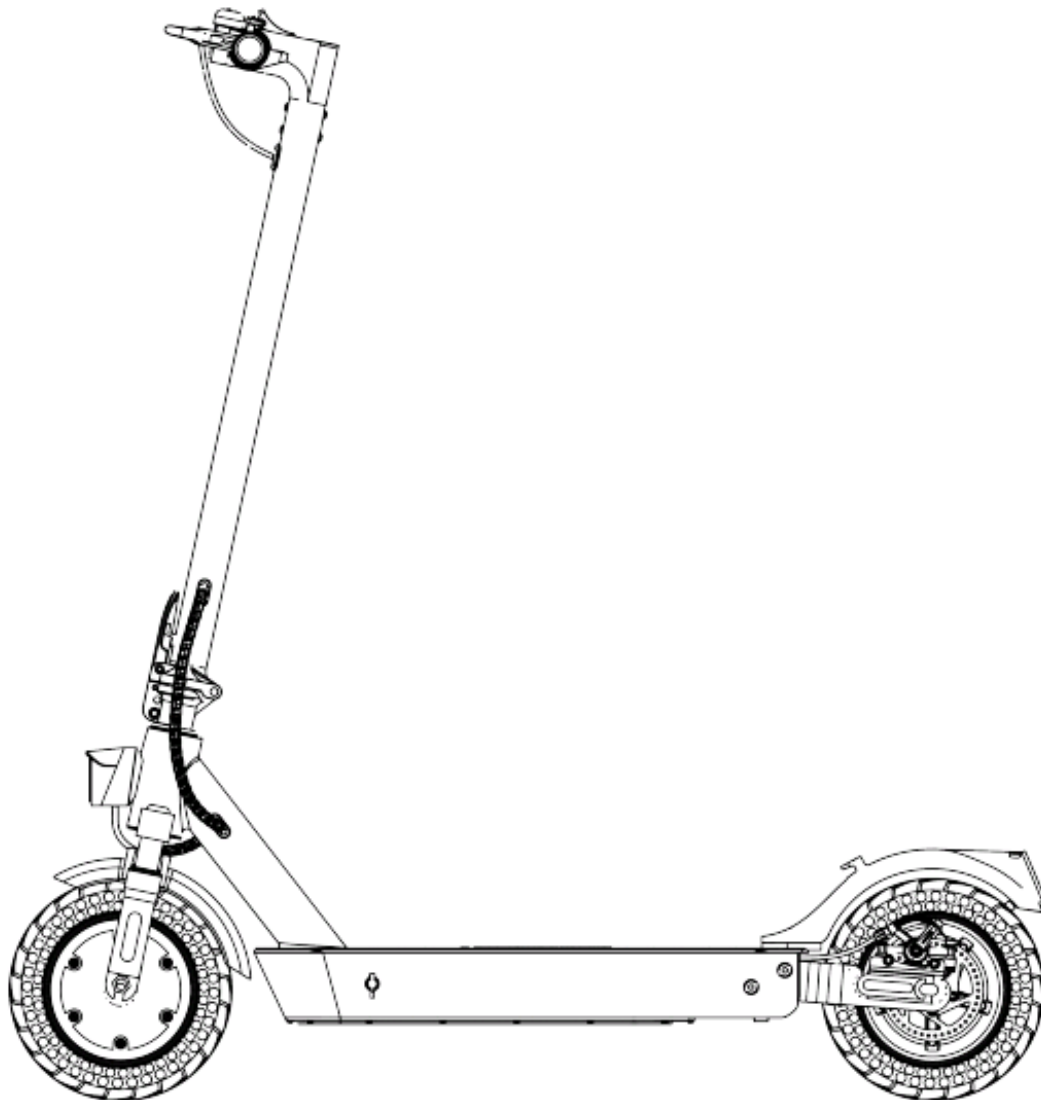
C) Téléchargez l'application "isinwheel" depuis l'App Store (iPhone) ou Google Play (téléphone Android) pour plus d'informations et de fonctions.

Sommaire

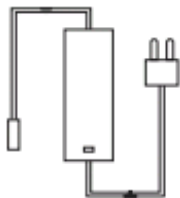
1. Contenu du paquet	12
2. Aperçu du produit	13
3. Panneau de contrôle	14
4. Chargement	15
5. Premier tour	16
6. Bases de l'équitation	17
7. Avis d'équitation	18
8. Pliage et transport	18
9. Réglage des freins à disque	19
10. Soins et entretien quotidiens	20
11. Spécifications	21
12. Questions et réponses	22
13. Nous contacter	22



Package Contents



When unboxing your S9MAX electric scooter, please verify that the below items are included in the package. If anything is missing or damaged, please contact isinwheel customer service for support: support@isinwheel.com



1 x Charger



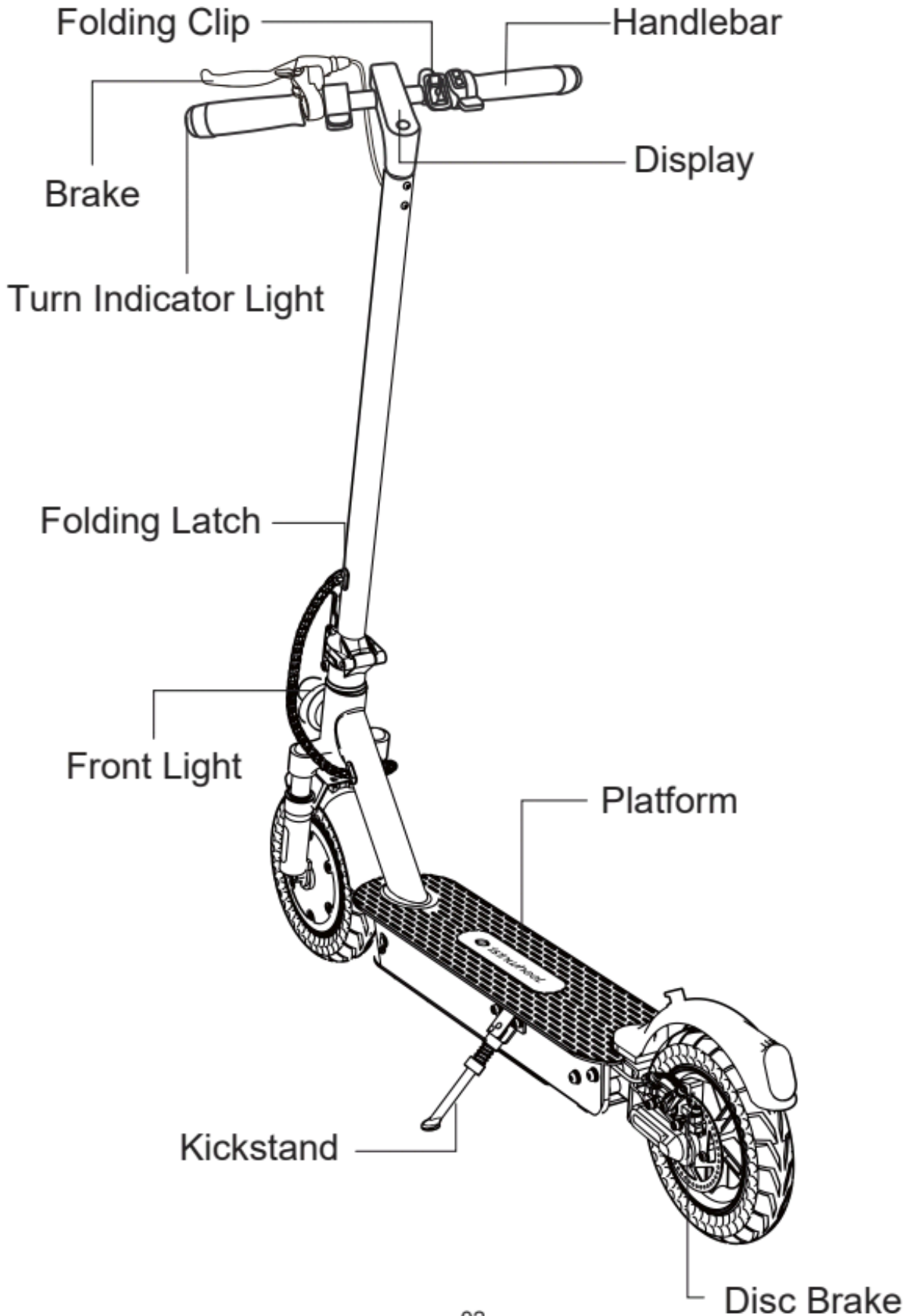
4 x Screws

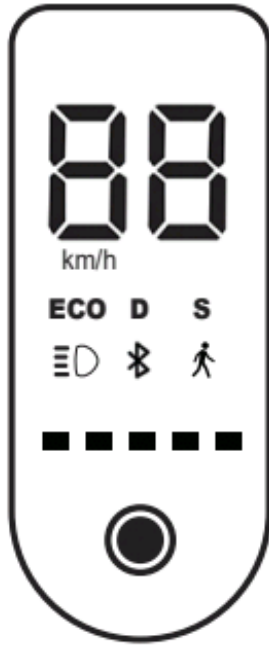


1 x Allen Wrench



Product Overview





Tips

When the scooter starts to coast, put both feet on the deck and press the accelerator (the accelerator initiates once the coasting speed exceeds 3 mph). Or you can connect the "isinwheel" APP, then, turn on the zero start.

Control Panel



Power Button

Click to turn on. Long press to turn off.



Battery Indicator

The power level is indicated by five battery bar on the control panel.



Light

Turn on your scooter, one-click to turn on/off the front light.



Mode

Double-click the power button to switch speed mode.



Cruise Control

Keep same speed for 5 seconds, and it will beep and active the cruise control.

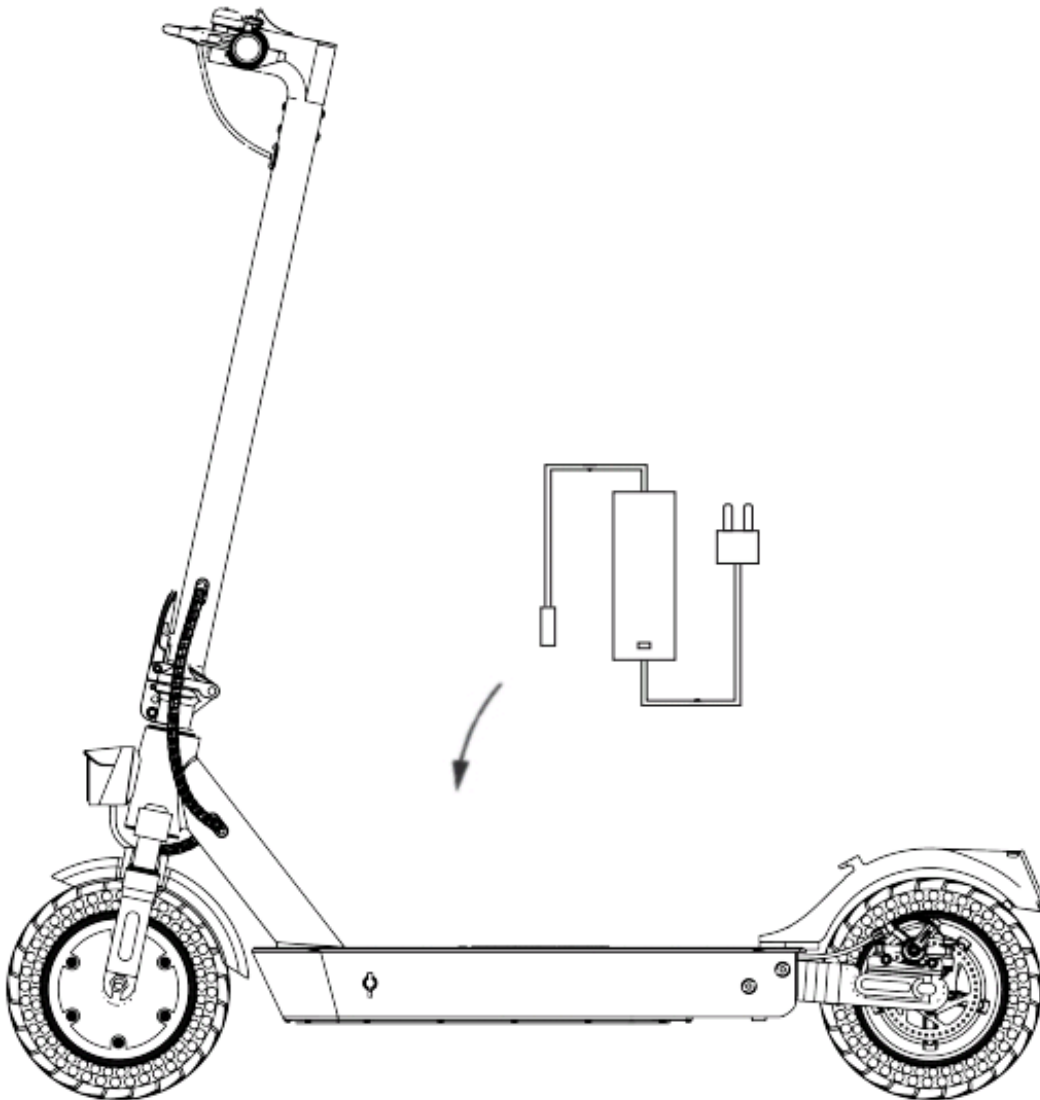


Lock Indicator

The scooter can be locked and unlocked by isinwheel app.



Charging



- Your scooter will be fully charged when the LED light on the charger changes to green from red.
- The scooter has charging protection and charging will cut off automatically after fully charge.
- Even so, we still don't recommend charging your scooter for a long time more than 24 hours at one time.
- Do not connect the charger if the charging port is wet.
- Keep the charging port closed when not charging.
- **Note: The scooter cannot be turned on during the charging period.**



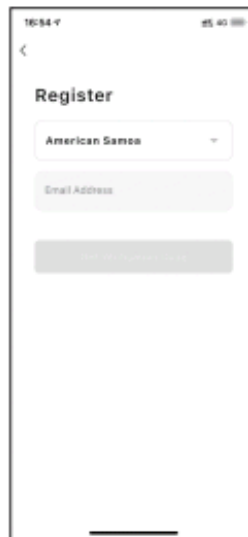
First Ride



Download the "isinwheel" app from the App Store(iPhone) or Google Play (Android phone) for more information and functions.



1. Open the APP and enter the main page, Click Sign up



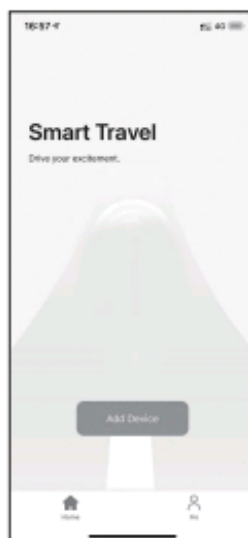
2. Select country and enter your email



3. Find the verification code sent by us in your mailbox, Fill in the verification code



4. Set a password for your account



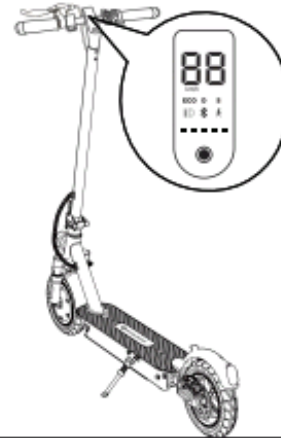
5. Account registration is complete, start your riding experience immediately



Riding Basics



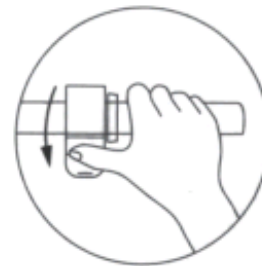
⚠ Wear helmets and knee pads in case of falls and injuries when you learn to ride the scooter, as shown in the figure.



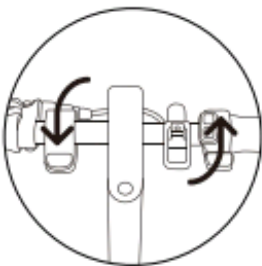
1. Turn the power on, and check the electricity indicator.



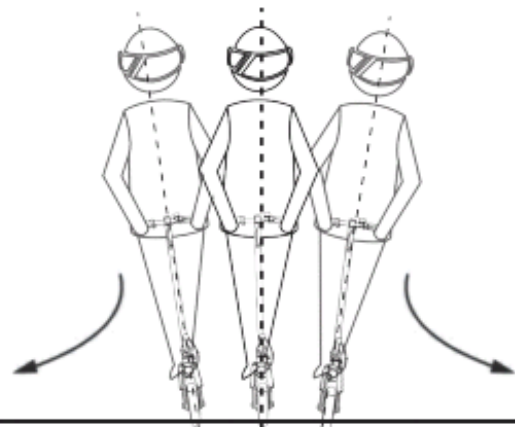
2. Stand on the base with one foot and propel yourself with the other foot.



3. When the scooter starts to coast, put both feet on the deck and press the accelerator (the accelerator initiates once the coasting speed exceeds 3mph)



4. Release the accelerator and the kinetic energy recovery system (KERS) initiates automatically to brake slowly; And squeeze the brake lever for a sudden brake.



5. Tilt your body to the steering direction as you turn, and slowly turn the handlebar.



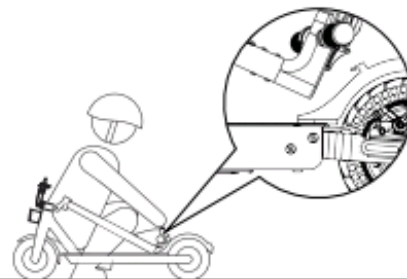
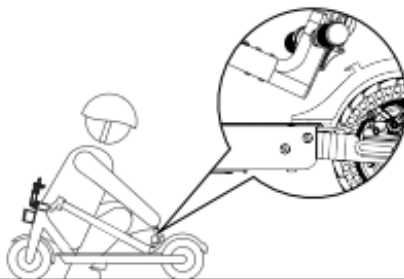
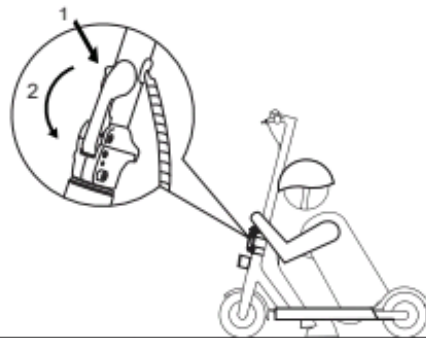
Riding Notice

The isinwheel S9MAX electric scooter is a leisure device. But once they're in a public area, they'll be seen as vehicles, subjecting to any risks faced by vehicles. For your safety, please follow instructions in the manual and traffic laws and regulations set forth by government and regulatory agencies.

- Respect pedestrians' Right of Way. Try not to startle them while driving, especially children. When you ride from behind pedestrians, ring your bell to give them a heads-up and slow your scooter to pass from their left (applicable to countries where vehicles drive on the right). When you ride across pedestrians, keep to the right at a low speed. When you drive across pedestrians, keep the lowest speed or getting off the vehicle.
- Closely follow the safety instructions in the manual. isinwheel shall not be liable for any financial losses, physical injuries, accidents, legal disputes and other interest conflicts resulted from actions that violate user instructions.
- Check the scooter before every use. When you note loosen parts, low battery alerts, excessive wear, strange sounds, malfunctions and other abnormal conditions, stop riding.
- **WARNING – Risk of Fire – No User Serviceable Parts.**



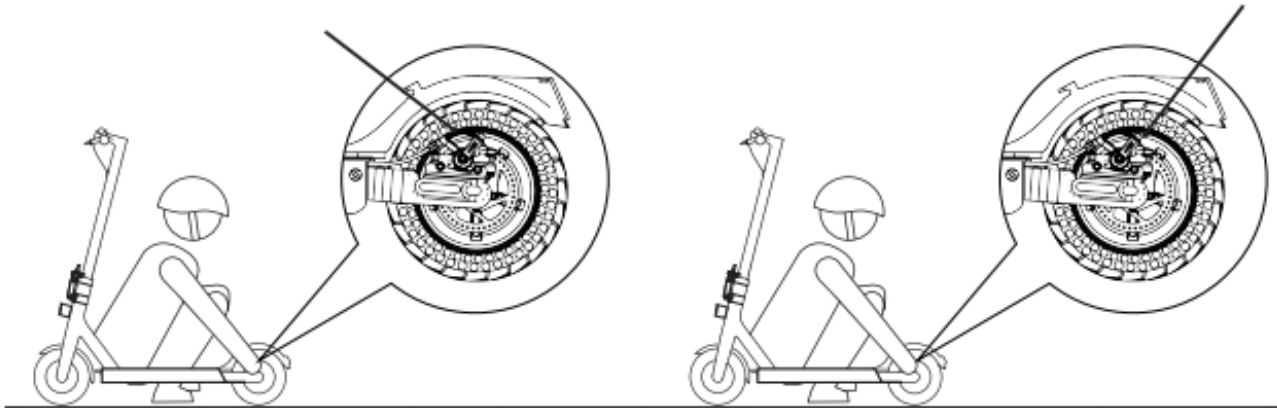
Folding and Carrying



Make sure that the scooter's turned off. To fold, unlock the folding mechanism, and bend the handlebar stem to hook the buckle on the rear fender. To open, press the bell trigger to remove from the buckle, erect the handlebar and lock the folding structure.



Disc Brake Adjustment



To adjust the disc brake sensitivity:

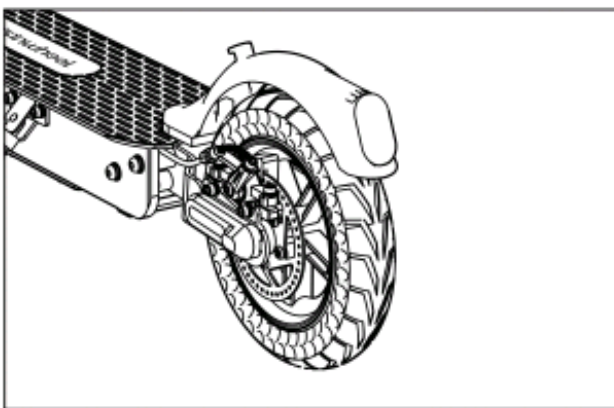
You need the Allen wrench to loosen the screw on the rocker.

- When the disc brake is too sensitive, rotate the disc brake rocker down a bit. Then, reinstall the screw back to the brake cable core to tighten.
- When the disc brake cannot stop, rotate the disc brake rocker up a bit. Then, reinstall the screw back to the brake cable core to tighten.

Notice: The disc brake may squeak when in use until it is broken in. This is normal and does not affect the brake's function or performance.

To remove the disc brake noise,

First make sure the scooter is turned off. For easier operating, we suggest you put the scooter on the desk.



- Loosen two screws on the pump (not the screw on the rocker).
- Adjust the position of the disc brake pump to ensure that the brake disc is in the middle of the two brake pads.
- Keep the brake disc and brake pad not touching each other.
- Hold the disk brake pump in the desired position, then retighten the screws to the pump.



Daily Care and Maintenance

Cleaning and Storage

If you see stains on the scooter's body, wipe them off with a damp cloth. If the stains won't scrub off, put on some toothpaste, and brush them with a toothbrush, then wipe them off with a damp cloth.

Notes:

- Do not clean the scooter with alcohol, gasoline, kerosene or other corrosive and volatile chemical solvents to prevent dire damage.
- Do not wash the board with a high-pressure water spray. During cleaning, make sure that the scooter's turned off, the charging cable is unplugged, and the rubber flap is closed as water leakage may result in electric shock or other major problems. When the scooter not in use, keep it indoors where it is dry and cool.
- Do not put it outdoors for a long time. Excessive sunlight, overheating and overcooling accelerate the battery pack's lifespan.

Battery Maintenance

1. Use original battery packs, use of other models or brands may bring about safety issues;
2. Do not touch the contacts. Do not dismantle or puncture the casing. Keep the contacts away from metal objects to prevent short circuit which may result in battery damage or even injuries and deaths;
3. Use original power adapter to avoid potential damage or fire;
4. Mishandling of used batteries may do tremendous harm to the environment. To protect natural environment, please follow local regulations to properly dispose used batteries.
5. After every use, fully charge the battery to prolong its lifespan.

Storage and Disposal

1. Please try to store the scooter in a cool and dry place between 14°F and 104°F. In extremely humid environments the interior of the scooter may suffer condensation or even water accumulation, which may damage the battery rapidly. Devices are not intended for use at elevations greater than 2000 m above sea level Prolonged Exposure to UV Rays, Rain and the Elements May Damage the Enclosure Materials, Store Indoors When Not in Use.
2. In daily use, try to avoid recharging the scooter after completely exhausting the battery. If the battery is low, charge it as soon as possible.
3. Please charge the scooter every other month to preserve the battery.



Specifications

S9MAX	Item	Electric Scooter
Dimensions	Unfolded (Length. x Width x Height)	44.8*17*47inch/114*43*120 cm
	Folded (Length. x Width x Height)	44.8*17*21inch/114*43*54 cm
Weight	Net Weight	36.4 lbs/16.5kg
User	Load	264 lbs/120kg
	Recommended Age	14+
Scooter	Max.Speed	15mph/25km/h
	Max.Range	18-25 miles/30-40 km
	Max. Slope	15%
	Operating Temperature	32-104°F(0-40°C)
	IP Rating	IP54
Battery	Voltage	36 V
	Max.Charging Voltage	42 V
	Capacity	10 AH
Motor	Power	500 W
Charger	Input Voltage	100-240 V
	Output Voltage	42 V
	Output Current	2 A
	Charging Time	≈ 4-6 h

- (1) The height of the body: Distance from the ground to the highest end of the body.
- (2) Description of the battery life: It is measured under the condition of full charge, a load of 150 lb (68kg), at 77°F(24°C), on a flat road without wind, and at a speed of 9.3 mph. The real battery life will differ with different factors of the load, humidity, wind speed and operation habits.
- (3) The maximum allowable weight shall be kept within 264 lb (120kg) (driver and objects included) in any case. Consider an extra weight of the clothes or other accessories with us during the trip and the gravity generated by speed, the scooter will not support it if this load limit is exceeded.



Question & Answer

1. What if the E-Scooter arrived missing accessory or broken part?

A: Please take a photo and send to isinwheel support team by sending email: support@isinwheel.com. And isinwheel support team will reply you soon and send correct accessory or part replacement.

2. Is the tire replaceable and how to replace the tire?

A: Yes, the tire is replaceable. Please contact isinwheel support team for more information or search the video "How to replace the tire" in YouTube instead.

3. What if the rear disc brake of the scooter doesn't work well?

A: You may please contact us for instructions of brake adjusting, or search "How to adjust rear brake of scooter" in YouTube for tutorial video as well.

4. What should I do when I hear an unusual noise coming from the rear wheel?

A: It usually means your disc brake tilt and cause friction noise. Please see Disc Brake Adjustment page. If you still have problem, please contact us for help.

5. Why the screen returns an error code?

A: If you see any error code below, Please contact isinwheel support team to remove the error code.

E04	Short Circuit Failure
E10	Controller/Instrument Communication Failure
E11	Motor Phase A Current Sensor Failure
E12	Motor Phase B Current Sensor Failure

E13	Motor Phase C Current Sensor Failure
E14	Accelerator Failure
E15	Brake Failure
E16	Motor Hall Failure



Contact Us

Contact us if you experience issues relating to riding, maintenance and safety, or errors/faults with your isinwheel S9MAX electric scooter.

✉ E-mail Service: support@isinwheel.com

🌐 www.isinwheel.eu