

Arisaka Offset Optic Mount

Patent Pending

08/27/2019

The Arisaka Offset Optic Mount can be configured at either a 35 or 45 degree offset angle by reversing the stem during assembly. The mount is designed to be attached to the top Picatinny rail of an AR15. When the rifle is canted to make use of the offset red dot sight, the optic remains centered over the bore and maintains a lower 1/3 co-witness height.

Six optic plates are supported:

Plate 1: Docter, Eotech, Insight, Meopta, Vortex Venom

Plate 2: Trijicon RMR, Holosun 507C

Plate 3: C-More

Plate 4: Leupold Delta Point

Plate 5: Aimpoint Micro T1/T2

Plate 6: Aimpoint Acro

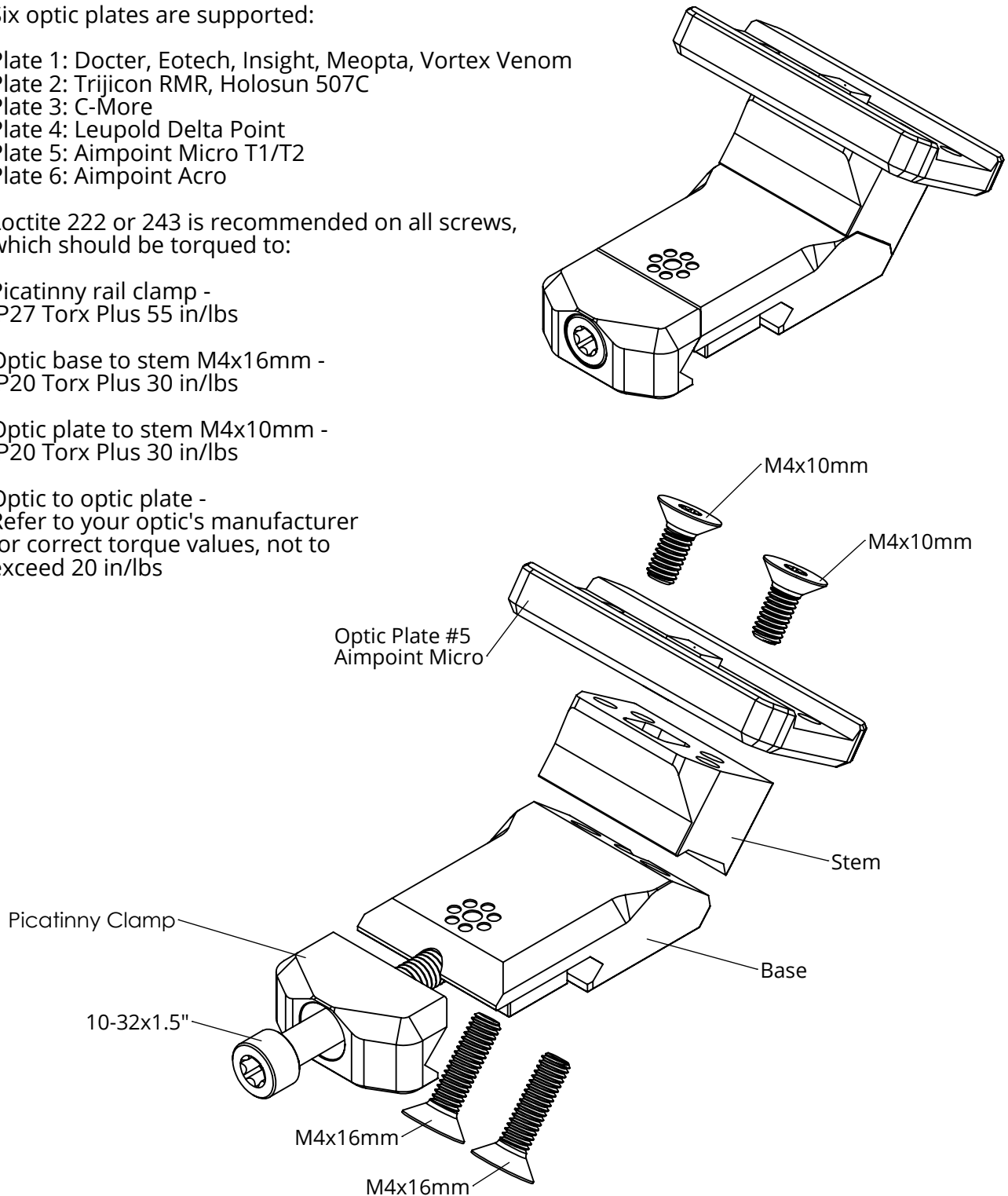
Loctite 222 or 243 is recommended on all screws, which should be torqued to:

Picatinny rail clamp -
IP27 Torx Plus 55 in/lbs

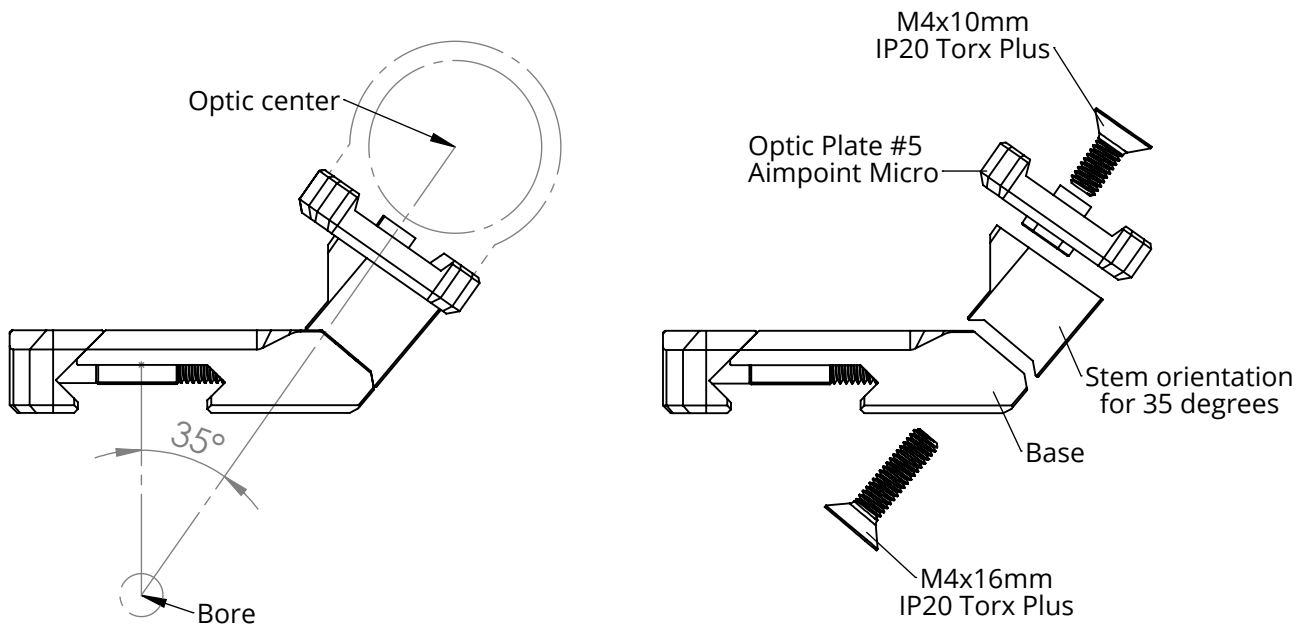
Optic base to stem M4x16mm -
IP20 Torx Plus 30 in/lbs

Optic plate to stem M4x10mm -
IP20 Torx Plus 30 in/lbs

Optic to optic plate -
Refer to your optic's manufacturer
for correct torque values, not to
exceed 20 in/lbs



35 Degree Configuration



45 Degree Configuration

