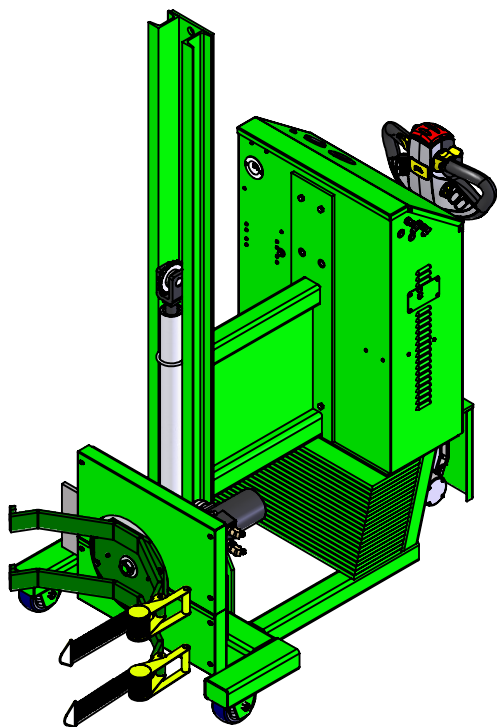


SOLUTIONS TO SIMPLIFY YOUR WORKLOAD

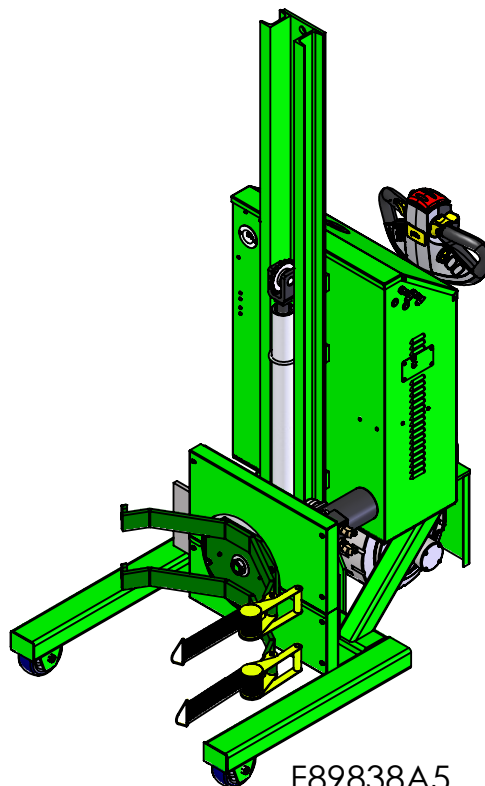
Drum Handling, Material Handling, Storage & Specialized Equipment



BATTERY POWERED ROTOLIFT W/ POWERDRIVE F89838A2, F89837A1, F89832A5, F89831A4



F89832A5



F89838A5

BATTERY POWERED ROTOLIFT W/ POWERDRIVE

Notice to Purchaser

All statements, technical information, and recommendations related to Valley Craft's products are based on information believed to be reliable, but the accuracy or completeness is not guaranteed. Before using this product, you must determine if it is suitable for your intended application or situation. You assume all risks and liability associated with such use or implementation.

Product Testing

We perform vigorous in-house safety and durability testing to ensure that the performance of our products meets the demands of the workplace. We also expect the same from manufacturers who supply components for our products. We do this to ensure that Valley Craft is a name that our customers trust and associate with quality.

Publication Revision Notice

Following is a history of changes to this publication, including the current revision.

Previously Updated: 09/19

Last Updated: 07/20

Copyright Notice

© Valley Craft, Inc. All rights reserved. No part of this publication may be reproduced, photocopied, stored on a retrieval system, or transmitted without the express written consent of Valley Craft.

Trademarks

The Valley Craft logo is a Valley Craft Trademark. All other company or product names are trademarks or registered trademarks of their respective owners. Use of a term in this document should not be regarded as affecting the validity of any trademark or service mark.

BATTERY POWERED ROTOLIFT W/ POWERDRIVE

■ Table of Contents

Safety	4-6
• Safety Overview	4
• Safety Message Conventions.....	5
• Material Safety Data	6
Product Description	7
• Specifications	7
• Features	7
Unpacking and Assembly	7
• Receiving and Inspection	7
Operation	8
• Operating Procedures	8
Maintenance and Adjustments	9-10
• Maintenance and Adjustment Procedures.....	9
• Charging Battery	10
Troubleshooting	11
• Troubleshooting Procedures	11
Replacement	12
• Replacement Procedures	12
Parts List	13-21
• Rotolift Isometric & BOM	13-16
• Backplate Assy & BOM	17
• Control Box & BOM	18-19
• Front Section & BOM	20
• Hydraulic Power Unit.....	21
Equipment Drawings	22-23
• Hydraulic Schematic.....	22
• Electrical Diagram (see VC document Z20900A5).....	23
Warranty Information	24
• Warranty and Limitation of Liability.....	24
• Technical Assistance/Warranty Procedure.....	24

BATTERY POWERED ROTOLIFT W/ POWERDRIVE

Safety

Read and understand all safety information and become familiar with all safety symbols contained in this section before moving, operating or performing maintenance on this equipment.

■ Safety Overview

The following general safety precautions must be observed during all phases of operation, service, and repair of this equipment. Failure to comply with these precautions or with specific safety messages elsewhere in this manual may impair the protection provided by the equipment. Such noncompliance would also violate safety standards of design, manufacture, and intended use of the instrument.

- Observe all safety signs posted in your facility.
- Observe warnings, cautions, handling information, storage requirements and other information on all container labels.
- Wear safety glasses with side shields.
- Use maximum care and good judgment in preventing accidents and injuries and seeking first aid.
- Report unsafe conditions, equipment, practices, and on-job injuries.
- Understand your supervisor's instructions. Ask questions if you do not know how to do the job safely.
- Before you start work on any electrical system or circuit, check all power sources to ensure that the system or circuit is de-energized.
- Know the hazardous or potentially hazardous substances you work with or are present in your work area. Review Material Safety Data Sheets (MSDS) on these substances, or contact your supervisor.
- When transporting a load, it is recommended that the attachment is lowered as close to the floor as possible to reduce the chances of accidents during transport.
- Do not leave load suspended for an extended period of time or premature wear to the lifting cylinder will occur.
- The red belly switch on tiller head stops unit reverse motion and causes the Roto-Grip to creep forward to prevent crushing

BATTERY POWERED ROTOLIFT W/ POWERDRIVE

■ Safety Message Conventions

There are three types of safety notices that may be contained in this manual: **Danger**, **Warning** and **Caution** notices. These notices precede the procedural step or portion of text that presents the safety hazard.



DANGER

- **DANGER** indicates an imminently hazardous situation which, if not avoided, will result in death or serious injury. This signal word is to be limited to the most extreme situations.
-



WARNING

- **WARNING** indicates a potentially hazardous situation which, if not avoided, could result in death or serious injury.
-



CAUTION

- **CAUTION** indicates a potentially hazardous situation which, if not avoided, may result in minor or moderate injury. It may also be used to alert against unsafe practices
-

BATTERY POWERED ROTOLIFT W/ POWERDRIVE

■ Material Safety Data Sheets (MSDS)

A Material Safety Data Sheet (MSDS) provides information on the safe use, handling and potential hazards of a product. This information assists with the proper response in the event of an emergency.

Valley Craft maintains material safety data sheets (MSDS) on all our products. You are urged to obtain copies of the relevant MSDS before using our products to protect yourself and others against any known health or safety hazards described in the MSDS. Valley Craft strives to make safety a top priority. Do not hesitate to contact us to discuss any safety aspects of our products.

The relevant MSDS codes are listed below.

- www.conocophillips.com
Super ATF Transmission Oil, MSDS Code 778846
Super-Sta Grease, MSDS Code 775440
- www.batteriesplus.com
Sealed Lead Acid Battery
SLA for the English version
SLA Sp for the Spanish version
- [Paint](#)
Contact Valley Craft Customer Services at 1-800-328-1480 or on the web at customerservice@valleycraft.com

■ Additional Safety Information

As with any mechanical device, care must be taken during the installation, operation, and maintenance of the device in order to realize the maximum benefit from its ownership.

Note: All personnel involved in the use and maintenance of this device should be thoroughly familiar with the information contained in this manual. Furthermore, it is recommended that all personnel be given adequate instruction and a sufficient period of training in its actual use to insure safety of personnel and proper care of the equipment. It is suggested that the units be initially operated empty until becoming familiar with how the unit handles.

BATTERY POWERED ROTOLIFT W/ POWERDRIVE

Product Description

The **Rotolift** drum handler is a motor driven straddle-type unit that centers the load between the wheels for maximum balance and safety. Lifts and Rotates 360 degrees.

■ Specifications

The **Rotolift** specifications are shown in Table 1.

Table 1. Specifications

Dimensions	Height: Model Dependent (78"/ 90") Width: 32 in. Depth: 66 in.
Weight	Model Dependent
Load Capacity	1000 lbs
Power	24VDC
Lift Travel	Model Dependent (58"/ 71")
Rotation	360 degrees continuous

■ Features

The **Rotolift** offers state-of-the-art design with many advanced features.

- 24 VDC system
- On-board charging system
- Battery Discharge Indicator
- Power drive wheel & tiller handle to drive/steer unit
- Hydraulic cylinder for lift function
- Hydraulic orbit motor for rotate function
- Heavy Duty ratchet straps to secure drum
- Intermittent toggle switches for lift & rotate functions
- Wig-Wag switch in tiller handle for drive function
- Belly Button switch for safety

■ Receiving and Inspecting

When unpacking this equipment, inspect the equipment for damage or mishandling. If damage is noted, file a damage claim with the carrier within 24 hours and call Valley Craft at 1-800-328-1480. Do not attempt to use the equipment.

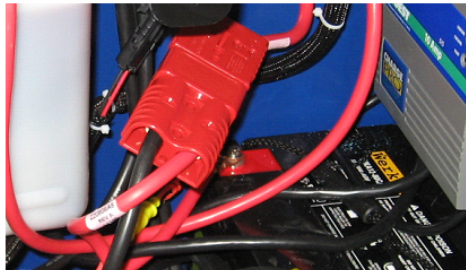
Compare the contents of the shipment with the bill of lading. Report any missing items to the carrier and to Valley Craft immediately.

BATTERY POWERED ROTOLIFT W/ POWERDRIVE

■ Operating Procedures

Only authorized personnel are permitted to use the **Rotolift**. Every load and every situation is different. Every lift must be evaluated and planned. Observe the following procedures when using this equipment.

1. **IMPORTANT!** Remove solid plug on hydraulic reservoir and install breather cap (included with the Power Pak) for proper air venting.
2. Connect main power disconnect inside the control box.



3. Turn the Roto-Lift on using key switch located on tiller head.



4. Drive by using the wig-wag switch on the tiller head to move the Roto-Lift forward and backward. (See Figure 3.)
5. Loosen rotator straps in the following way. A) Depress “finger release” on ratchet and fold handle open. B) Pull strap through ratchet just far enough to unhook metal ring from T-bar at the end of the rotating arm. C) Perform this on both ratchets.
6. To pick up a drum, position the Roto-Lift so the jaw arms straddle the drum, center the arms using the “UP/DOWN” switch on the control panel.
7. After arms are centered on drum, drive the unit forward until drum touches the rear of the arms.
8. Pull both straps around the front of the drum and hook the metal ring onto the T-bar on the end of the rotating arms.
9. By depressing the “finger release” on the ratchet and returning it to the original position, you may now ratchet the straps tight around the drum.
10. With **BOTH** straps tight, raise the drum by using the “up” function switch.
11. To tip the drum, raise the drum to the desired height and depress the “Rotate” switch on the tiller head in the direction you want the drum to tip.

BATTERY POWERED ROTOLIFT W/ POWERDRIVE

Maintenance and Adjustments

Maintenance and Adjustment Procedures

To keep this equipment operating properly, timely maintenance and adjustments are required. These procedures should be performed only by qualified personnel who are familiar with the equipment. Ensure dumper is disconnected from power and chute is in down position prior to inspecting and performing maintenance and adjustment procedures.

Maintenance and adjustment procedures are shown in Table 2.

Table 2. Maintenance and Adjustment Procedures

Component	Frequency	Operation	Procedure
Bearings / Pivot Points	Monthly	Grease	Apply grease as required
Hydraulic Fluid Level	Monthly	Visually inspect	Should fluid level become low or appear dirty or "milky", replace fluid with ATF D/M Transmission fluid. Fluid level should be approximately 1-1/2" below fill hole.
Structural components	Monthly	Visually inspect	Replace as required
Hydraulic System	Monthly	Visually Inspect	Inspect for leaks and damaged hydraulic lines and correct as required
	At Start of Shift	Operate	Fully extend lift cylinder to purge oil from rod end of the cylinder
Electrical System	Monthly	Visually Inspect	Inspect for damaged or frayed wires and correct as required
Nylon Straps	At Start of Shift	Visually Inspect	Check nylon straps for wear and replace as necessary

- Check hydraulic fluid every 40 hours or before using the machine after long set-aside periods. Three quarts of hydraulic fluid is sufficient to operate the system properly. Do not overfill.
Use ATF D/M transmission fluid.
- The lifting chain should be oiled periodically as needed. This is best accomplished by lowering the backplate completely and spraying lubricant onto the chain.

BATTERY POWERED ROTOLIFT W/ POWERDRIVE

■ Charging Batteries

1. Always turn the key to the “off” position when unit is not in use.
2. To charge your battery, plug a grounded extension cord into the built-in receptacle in the Control Box and an outlet.
3. The battery will charge automatically after the charger is plugged in and can be left unattended.
 - Batteries will generally require equal charging to work time.
4. Keep the charger plugged in to maintain a full battery level when the unit is not being used.

NOTES:

- See charger **MANUAL** for **SAFETY PRECAUTIONS** and charger **TROUBLESHOOTING**.
- **DO NOT USE BATTERIES UNTIL THEY ARE TOTALLY DISCHARGED.**
 - i. Doing so may damage your battery.
 - ii. For maximum battery life, your unit is equipped with a charger that collects information from the battery and adjusts the current and voltage accordingly. If your battery voltage drops below a certain threshold the charger will not charge the battery.
- If the battery becomes discharged and won't charge by ordinary means, a suggested solution is to “trick” the charger into reading a higher voltage from the battery. To do this connect a second, well-charged battery (12.4 volts or greater) in parallel with the dead battery-positive to positive, negative to negative. Then plug in your charger and charge the combination until the dead battery has enough voltage to enable being charged by itself.

BATTERY POWERED ROTOLIFT W/ POWERDRIVE

Troubleshooting

■ Troubleshooting Procedures

If troubleshooting or maintenance should be required, it should be performed only by qualified personnel trained to perform such procedures. .

Table 3. Trouble Shooting Procedures

Problem	Possible Cause	Corrective Action
Batteries won't charge	Faulty Battery(s)	Load test Batteries to ensure it is good. If battery is bad see page 12 for replacement.
	Not following recharging directions	Refer to Battery Charging Instructions (Page 10)
	Improper grounding/wiring	Tighten Charger mounting bolts and check wiring
Unit not functioning	Low/Dead Batteries	Recharge Batteries
	Improper grounding	Check Motor & Battery wire connections. Tighten if necessary
	Damaged or loose wiring	Check wiring to switches in Control Box. Re-attach loose connections.
	Bad Switches	Call factory for replacement

The Curtis 1229 controller can provide diagnostics information to assist technicians in troubleshooting drive system problems. The diagnostics information can be obtained in two ways: observing the fault codes issues by the Status LED or reading the appropriate display on the handheld programmer. For more information contact your local Curtis representative or contact Valley Craft.

BATTERY POWERED ROTOLIFT W/ POWERDRIVE

Replacement

■ Replacement Procedures

Occasionally, it will be necessary to replace a part that has been Damaged or worn. Many parts on this Rotolift are replaceable. If Replacement of a part is required, it should be performed only by Qualified personnel who are familiar with the equipment.

See the following pages for available replacement parts. Identify the part number you need. Contact Valley Craft Customer Service at 1-800-328-1480 or on the Web at customerservice@valleycraft.com.

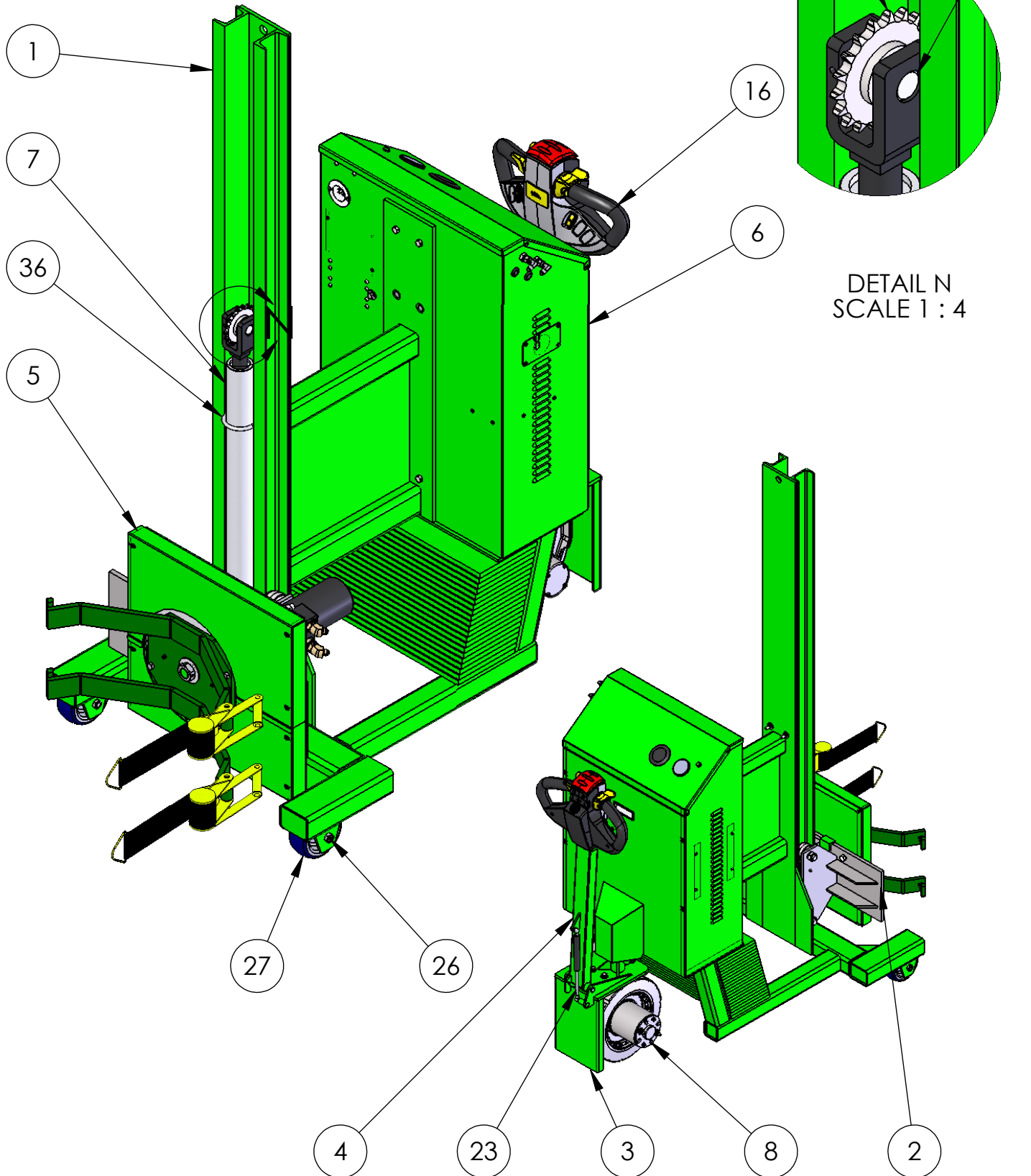
Information required when contacting Valley Craft:

- A. Company name and address
- B. Contact persons name
- C. Telephone number
- D. E-Mail address
- E. Model Number
- F. Date of manufacture
- G. Part number of Parts ordering

The model number and date of manufacture is stamped on a metal tag located on the back side of the frame just above the push handle.

BATTERY POWERED ROTOLIFT W/ POWERDRIVE

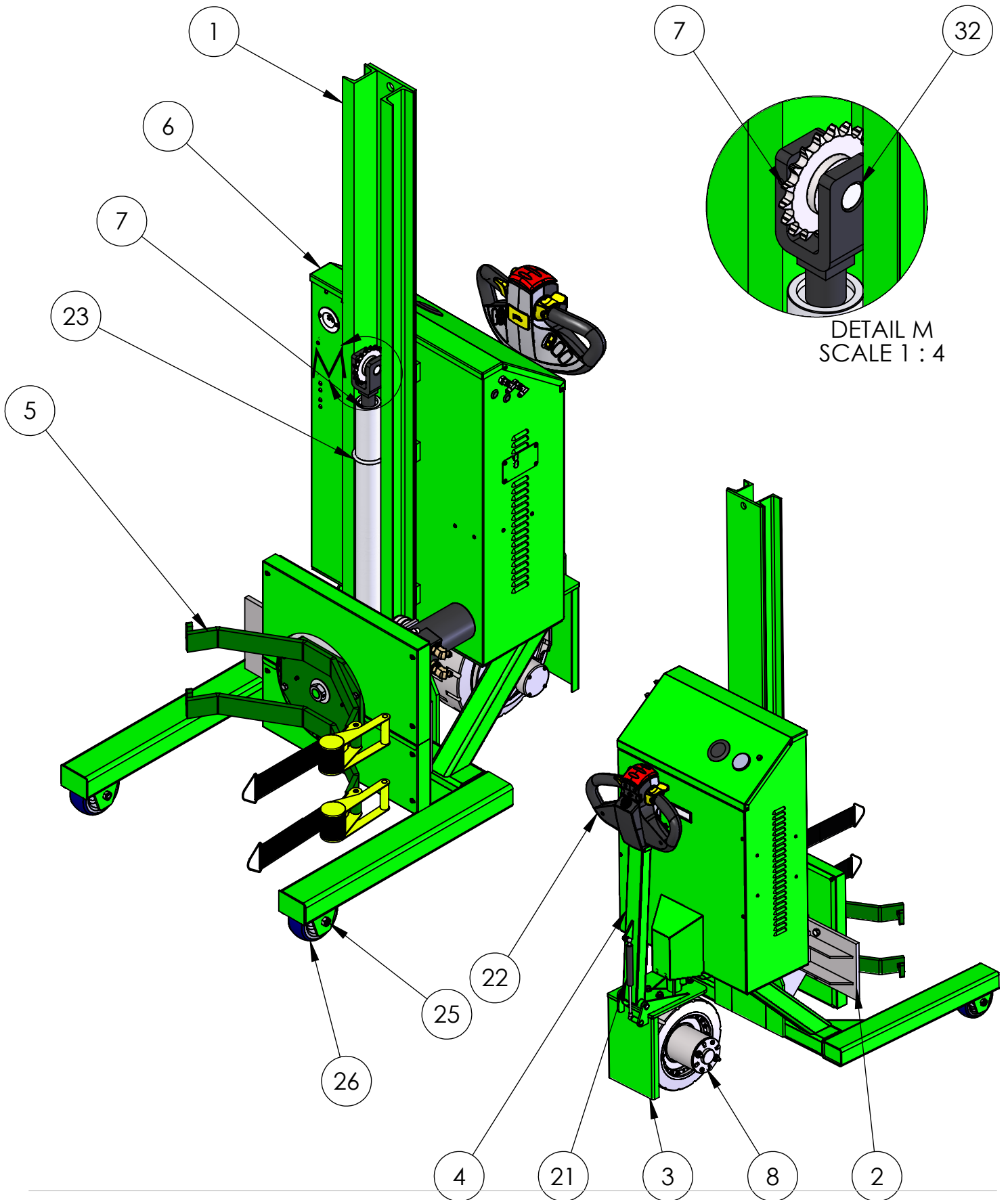
MODEL SHOWN
IS F89832A5



ROTOLIFT-78/SAE/POWER DRIVE/CW

ITEM NO.	PART NUMBER	DESCRIPTION	QTY.
1	F69440A6 F69441A7	CW WLDMT-78/PD RL CW WLDMT-90/PD RL	1
2	F64367A4	BACK PL ASSY	1
3	F68097A4	PIVOT WLDMT/POWER DRIVE	1
4	F68098A3	TILLER WLDMT/POWER DRIVE	1
5	F69299A4	FRT SECT ASSEMBLY/ROTOLIFT	1
6	F69435A1	PD CONTROL BOX ASSY RL	1
7	Z20753A0 Z20754A9	CLY ASSY-78 SAE CLY ASSY-90 SAE	1
8	Z20827A6	WHL ASSY-12/PD	1
9	F52067A6	PIN-CLEVIS 1.00X2.375 (KANBAN)	1
10	F63091A3	SPROCKET ASSY-50C18 BRG 1.01 (purchased)	1
11	Z10020A4	NUT-HEX FULL 1/2-13	2
12	Z10072A1	PIN-SPG 1/4X1-1/2	1
13	Z10201A5	WASHER-5/16 FLAT USS	12
14	Z10214A0	WASHER-3/8 LOCK MD	6
15	Z10530A8	S-HHC 3/8-16x1-1/4	10
16	Z20823A0	TILLER HEAD/PD	1
17	F60860A8 F61446A9	RLR CHAIN ASSY-78 RLR CHAIN ASSY-84	1
18	F57496	CHAIN SPACER	1
19	Z10207A9	WASHER-1/4 LOCK INT TOOTH	4
20	Z11690A5	S-SHC 1/4-20X1-1/2 GR8	4
21	Z10432A6	BALL-STUD 5/16-18 UNC	2
22	Z10036A6	NUT-HEX KEPS 5/16-18	1
23	Z20825A8	SPRING-GAS/120LBS	1
24	Z20830A3	BRG-BRZ-FLG 1.25X1.50X1.50	2
25	Z10534A4	RING-RTNG 1-1/4	1
26	Z11687A2	AXLE BOLT 1/2-13 X 3-3/8	2
27	Z30443A1	WHL-5 x 2 PAL	2
28	Z20813A0	GROMMET-.75IDX1.06HOLEX.25TH	2
29	Z20814A9	GROMMET-.75IDX1.13HOLEX.09TH	1
30	Z20826A7	RING-RTNG EXTERNAL 5/8	2
31	Z20828A5	BRG-BRZ-FLG .63X.88X1.00	2
32	F58422A4	RD-.63/AXLE TILLER (KANBAN)	1
33	Z10200A6	WASHER-1/4 FLAT USS	2
34	Z10112A3	S-HHC 1/4-20X1	2
35	Z10043A7	NUT-NYL NE 1/4-20	2
36	Z10241A7	BOLT-U 5/16-18 X 2-1/2	1
37	Z10500A7	NUT-HEX KEPS 3/8-16	4
38	Z10045A5	NUT-NYL NE 5/16-18	2

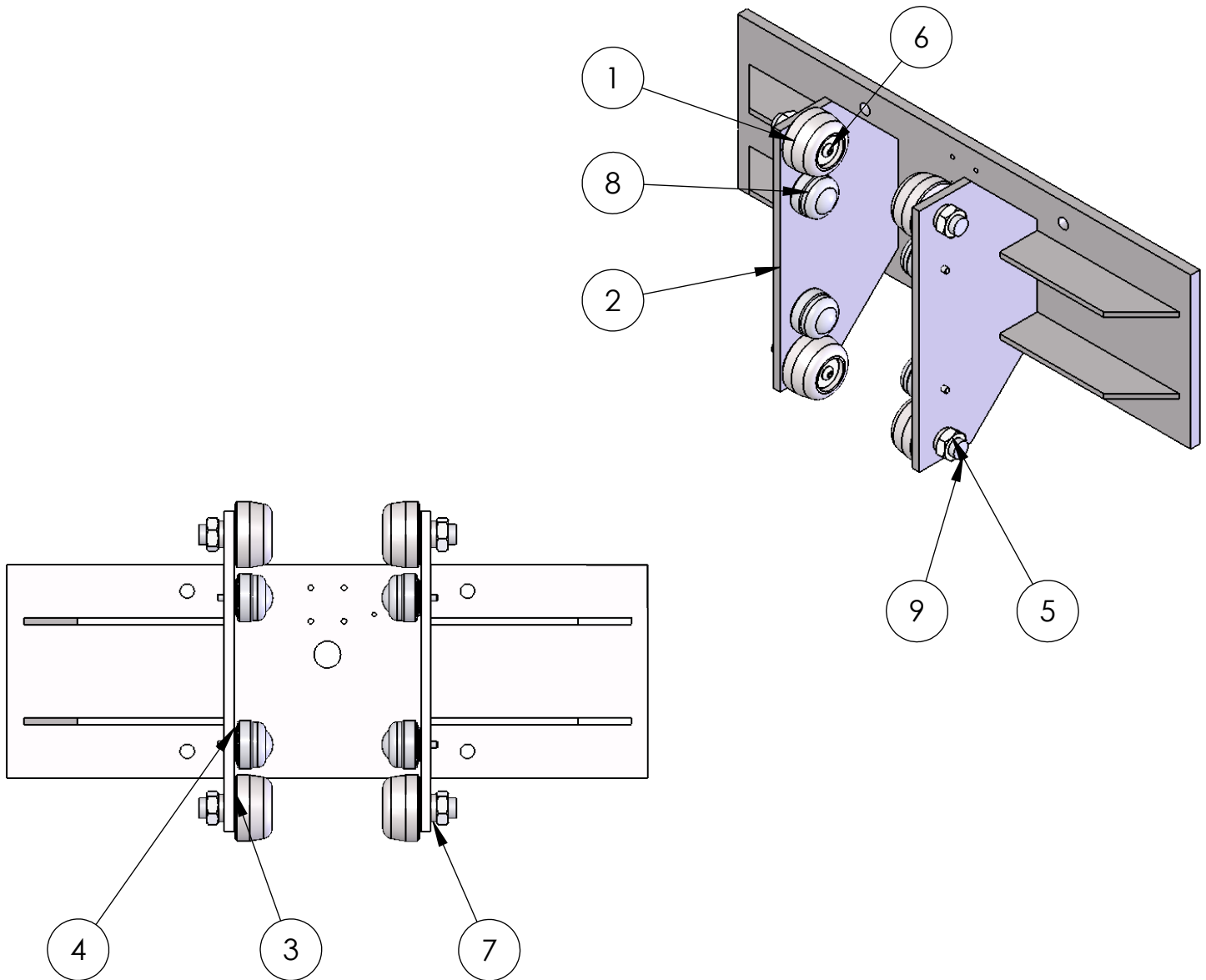
ROTOLIFT-78/SAE/POWER DRIVE/CW



ROTOLIFT-78/SAE/POWER DRIVE/CW

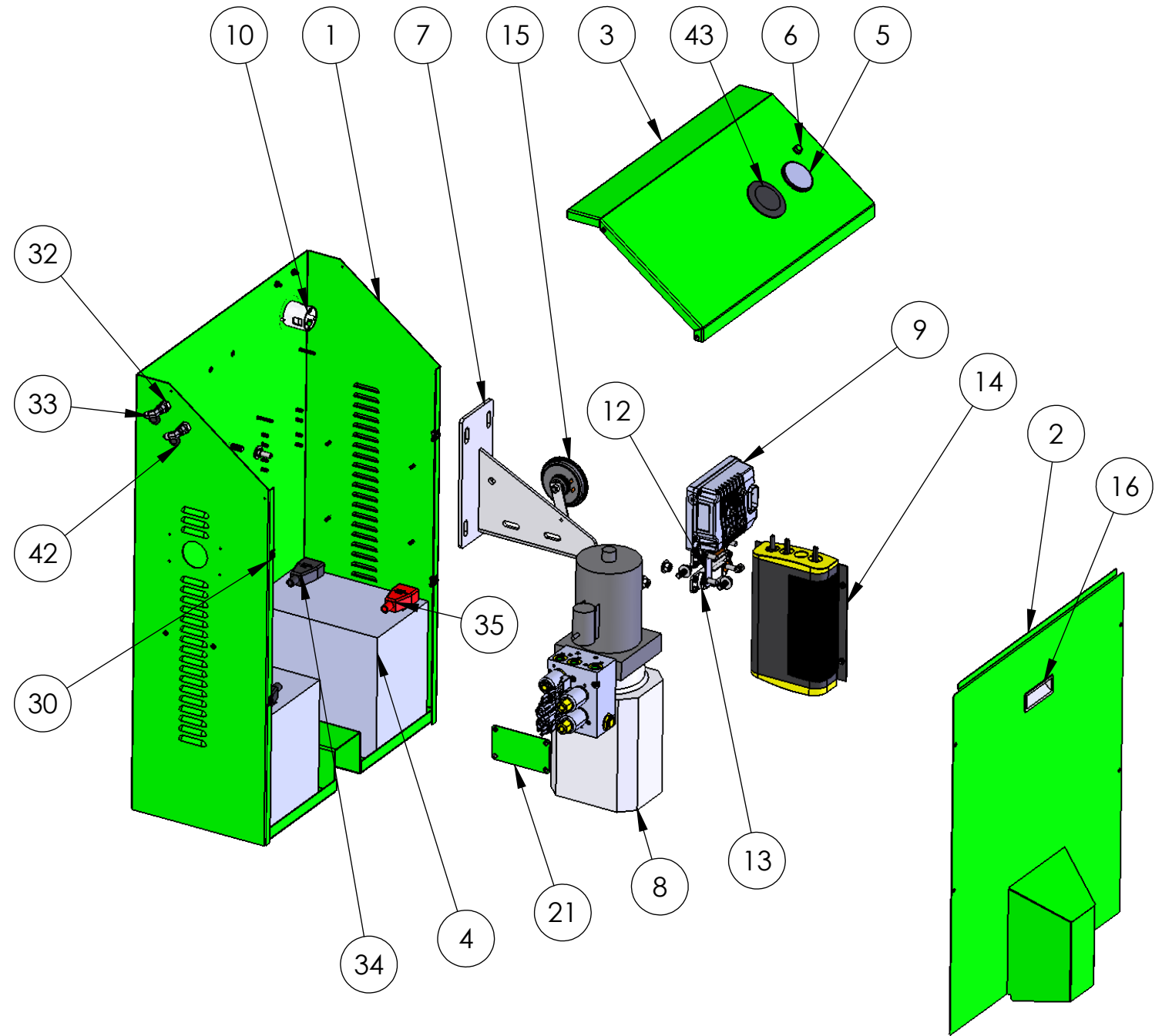
ITEM NO.	PART NUMBER	DESCRIPTION	QTY.
1	F69438A4	SL WLDMT-78/PD RL	1
	F69439A5	SL WLDMT-90/PD RL	
2	F64367A4	BACK PL ASSY	1
3	F68097A4	PIVOT WLDMT/POWER DRIVE	1
4	F68098A3	TILLER WLDMT/POWER DRIVE	1
5	F69299A4	FRT SECT ASSEMBLY/ROTOLIFT	1
6	F69435A1	PD CONTROL BOX ASSY RL	1
7	Z20753A0	CYL ASSY-78 SAE	1
	Z20754A9	CYL ASSY-90 SAE	
8	Z20827A6	WHL ASSY-12/PD	1
9	Z10201A5	WASHER-5/16 FLAT USS	10
10	Z10214A0	WASHER-3/8 LOCK MD	10
11	Z10530A8	S-HHC 3/8-16x1-1/4	6
12	Z10534A4	RING-RTNG 1-1/4	1
13	Z20830A3	BRG-BRZ-FLG 1.25X1.50X1.50	2
14	F58422A4	RD-.63/AXLE TILLER (KANBAN)	1
15	Z20813A0	GROMMET-.75IDX1.06HOLEX.25TH	2
16	Z20814A9	GROMMET-.75IDX1.13HOLEX.09TH	1
17	Z10432A6	BALL-STUD 5/16-18 UNC	2
18	Z20826A7	RING-RTNG EXTERNAL 5/8	2
19	Z20828A5	BRG-BRZ-FLG .63X.88X1.00	2
20	Z10036A6	NUT-HEX KEPS 5/16-18	3
21	Z20825A8	SPRING-GAS/120LBS	1
22	Z20823A0	TILLER HEAD/PD	1
23	Z10241A7	BOLT-U 5/16-18 X 2-1/2	1
24	Z10200A6	WASHER-1/4 FLAT USS	2
25	Z11687A2	AXLE BOLT 1/2-13 X 3-3/8	2
26	Z30443A1	WHL-5 x 2 PAL	2
27	Z10131A0	S-HHC 3/8-16X5/8	2
28	Z10571A1	S-HHC 3/8-16X3/4	2
29	F63091A3	SPROCKET ASSY-50C18 BRG 1.01 (purchased)	1
30	F60860A8	RLR CHAIN ASSY-78	1
	F61446A9	RLR CHAIN ASSY-84	
31	Z10020A4	NUT-HEX FULL 1/2-13	2
32	F52067A6	PIN-CLEVIS 1.00X2.375 (KANBAN)	1
33	Z10072A1	PIN-SPG 1/4X1-1/2	1
34	Z10043A7	NUT-NYL NE 1/4-20	2
35	Z10113A2	S-HHC 1/4-20X1-1/4	2
36	F57496	CHAIN SPACER	1
37	Z11690A5	S-SHC 1/4-20X1-1/2 GR8	4
38	Z10207A9	WASHER-1/4 LOCK INT TOOTH	4

BATTERY POWERED ROTOLIFT W/ POWERDRIVE



ITEM NO.	PART NUMBER	DESCRIPTION	QTY.
1	F64056A3	GUIDE RLR-BRG ASSY	4
2	F64335A6	BACK PL WLDMT	1
3	Z10008A0	BUSH-MACH 6H 3/4x18GAX1-1/4 OD	4
4	Z10042A8	WASHER-5/16 FNDR X 1-1/4 OD	8
5	Z10461A0	NUT-HEX JAM 3/4-16	4
6	Z10539A9	S-BHSC 5/16-18x3/4	4
7	Z10594A0	WASHER-3/4 LOCK MD	4
8	Z30700A8	BALL TRANSFER-STUD MNT 1/4-20	4
9	Z51355A9	GUIDE BOLT-3/4-16 1.00X1.14	4

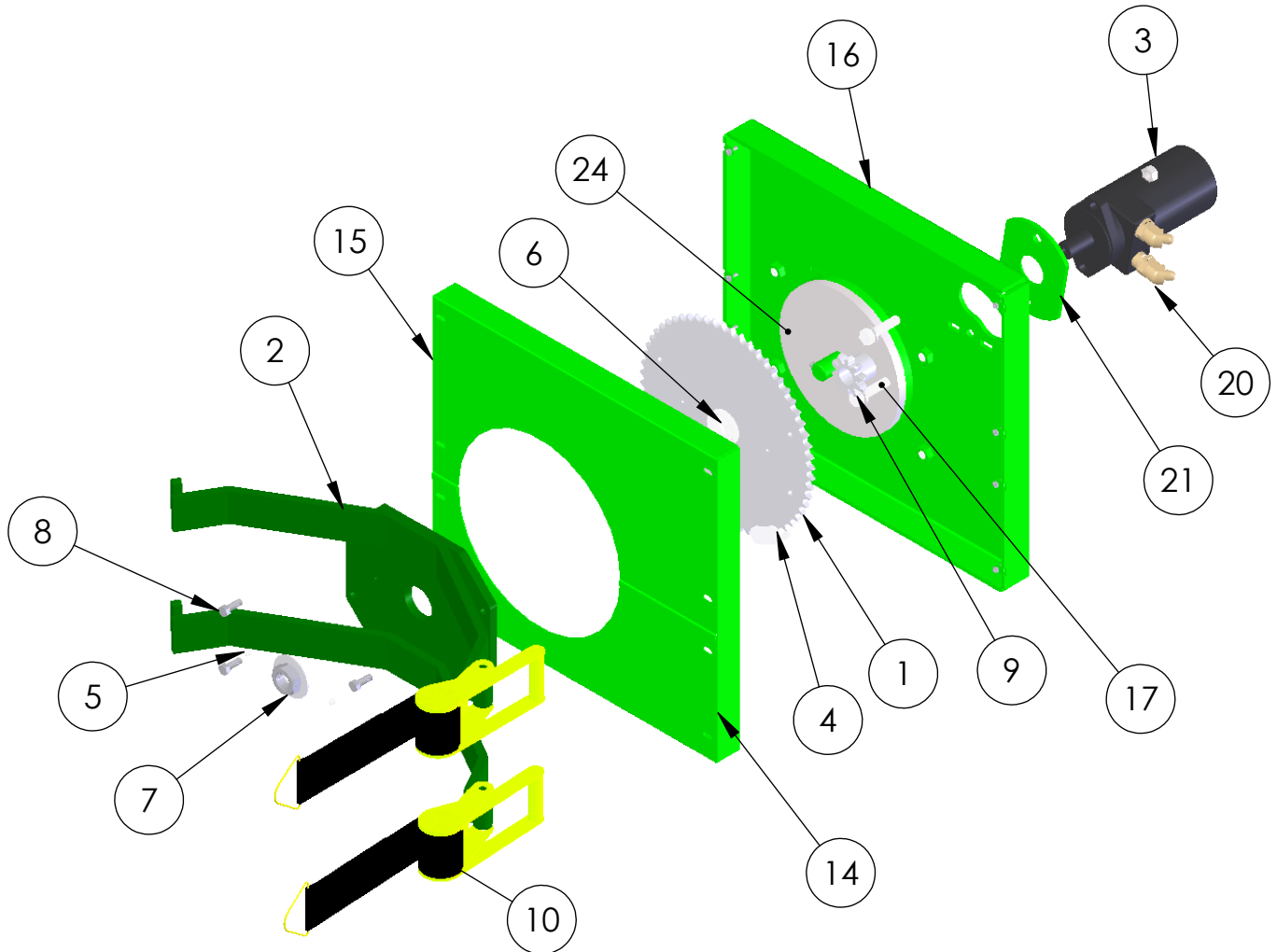
BATTERY POWERED ROTOLIFT W/ POWERDRIVE



ROTOLIFT-78/SAE/POWER DRIVE/CW

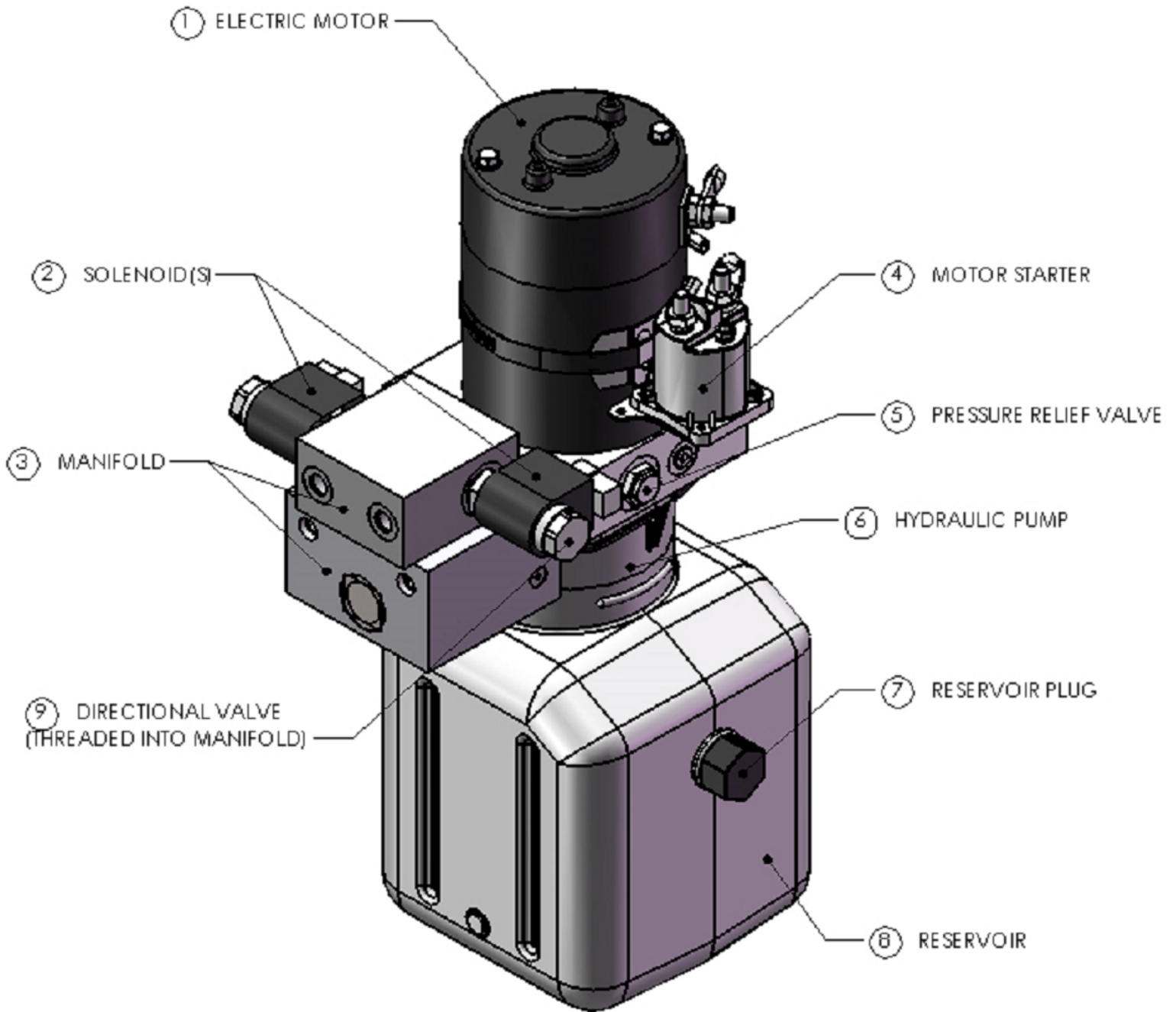
ITEM NO.	PART NUMBER	DESCRIPTION	QTY.
1	F69417A3	CONTROL BOX WELDMENT TM	1
2	F69416A2	CVR CNTR WLDMT/PD TELE	1
3	F51635	TOP-CRTL BOX/PL PD TM	1
4	Z00172A5	BATTERY-12V 80AH SEALED LEAD	2
5	Z20836A7	GAUGE-BATTERY DISCHARGE	1
6	Z20817A6	LIGHT-INDICATOR LED GRN 24V	1
7	F68096A5	PUMP MNT WLDMT/POWER DRIVE	1
8	F61363A4	PP-4SOL/3PORT 24V	1
9	Z20899A4	CONTROLLER/PD CURTIS 1229	1
10	Z00120A4	PLUG-FLGD INLET 125V	1
11	Z20839A4	FUSE-ANL	2
12	F58408A6	SHT-14G/FUSE JUMPER	1
13	Z20820A3	FUSE-HLDR ANL	2
14	Z00546A4	CHRGR-BATTERY 12/24 120VAC	1
15	Z20815A8	HORN-24V	1
16	Z30415A5	HDL PCKT PULL PLST 3.25X1.41	1
21	F51398	CVR-PD PRES GAUGE (Kanban)	1
30	Z11698A3	CLIP ON RETAINER	4
31	90386A101	SFHHS-M6-1X16MM (LEAN-TEC)	4
32	Z84897A3	FTG STR 2700-4-4-LN	2
33	Z20704A0	FTG 90 6500-4-4 SWL	2
34	Z20843A8	BATTERY TERMINAL COVER-BLACK	2
35	Z20844A7	BATTERY TERMINAL COVER-RED	2
39	Z11701A6	RETAINER 1/4 TURN	4
40	Z11700A5	PUSH-ON RETAINER	4
41	Z11699A4	EJECTOR SPRING	4
42	9750K22	1/2" PLASTIC HOLE PLUG	2
43	Z11560A5	GROMMET-PLUG 2-1/2	1

BATTERY POWERED ROTOLIFT W/ POWERDRIVE



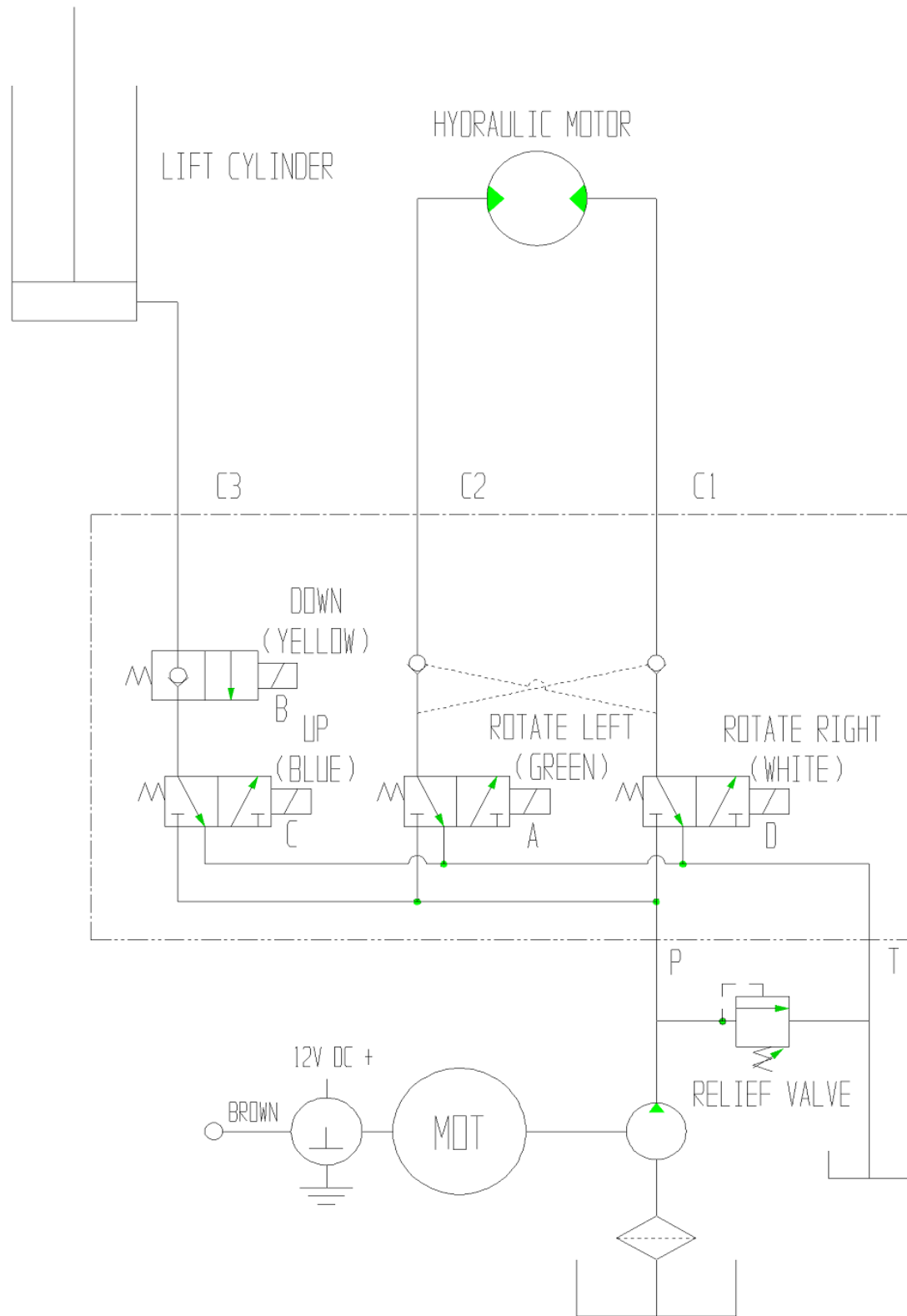
ITEM NO.	PART NUMBER	DESCRIPTION	QTY.
1	F52650A9	SPROCKET-LARGE	1
2	F62629A6	FRT SECT WLDMT/ROTO	1
3	Z20656A6	MOTOR-HYD/SAE	1
4	F30214A4	CHAIN-RS 50/46" (PURCH)	1
5	Z10627A7	ZERK-GREASE .188 DRIVE	2
6	Z30420A8	BRG-TAPER ROLL 1"BOR	1
7	F52527A0	NUT-LOCK 1-14/DT (KANBAN)	1
8	Z10132A9	S-HHC 3/8-16X1	4
9	Z30400A2	SPROCKET-SM W/SHS	1
10	F62980A9	RATCHET ASSY-2.0X53.00 7000	2
14	F57633	BTM SPROCKET GUARD/ROTO-LIFT	1
15	F57632	TOP SPROCKET GUARD/ROTO-LIFT	1
16	F69433A9	BACK SECTION WLDMT/ROTO-LIFT	1
17	Z10620A4	S-HHC 1/2-13X2 GR 5	2
18	Z10331A8	WASHER-1/2 FLAT SAE	2
19	Z10048A2	NUT-NYL NE 1/2-13	2
20	Z20891A6		2
21	F57403	MOTOR MOUNT PLATE	1
22	Z10640A3	S-HHC 1/2-13X1-1/4 GR 5	4
23	Z10216A8	WASHER-1/2 LOCK MD	4
24	F57491	SPACER PLATE-1/2X 8-1/2RD	1

HYDRAULIC POWER UNIT



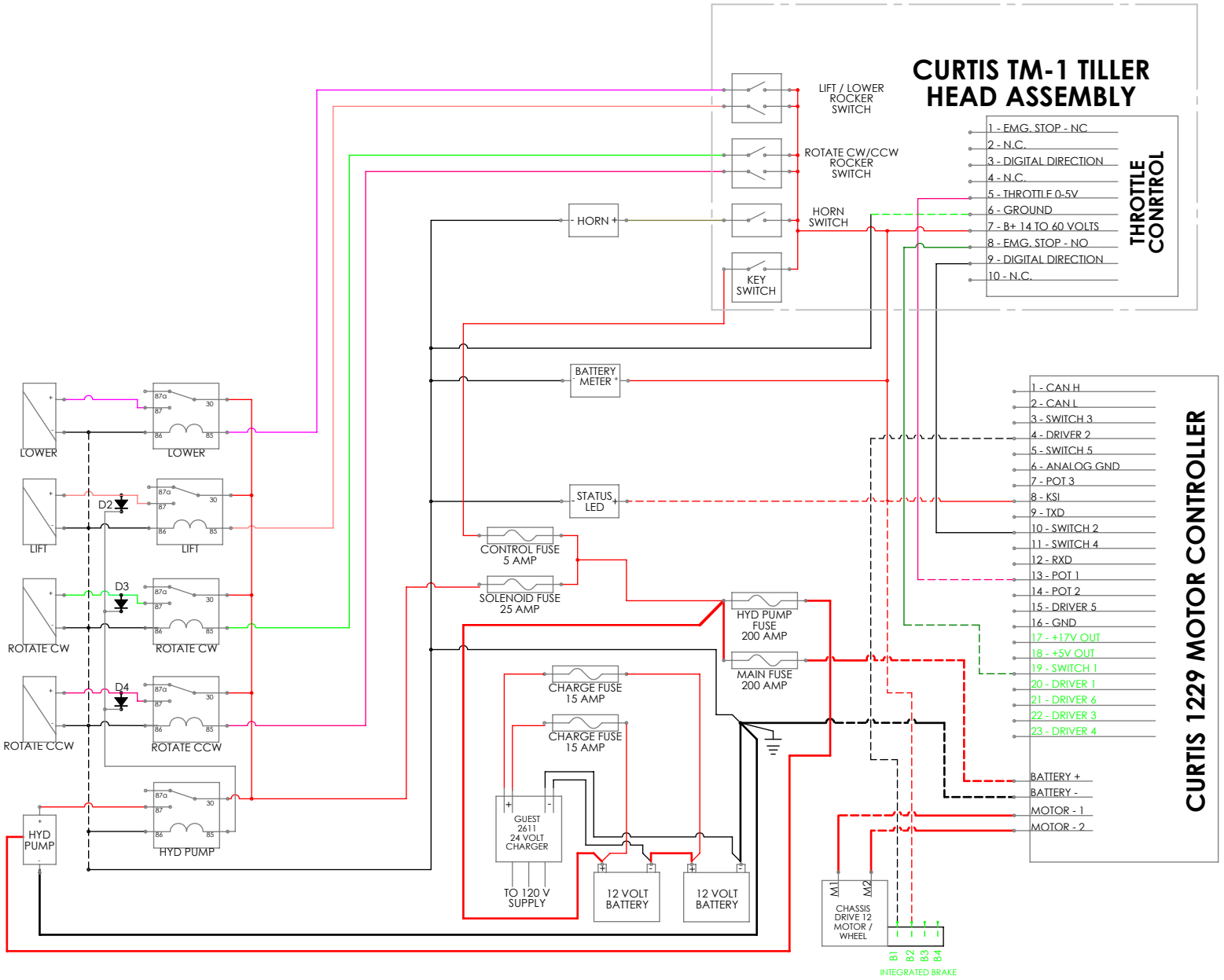
HYDRAULIC POWER UNIT SHOWN FOR REFERENCE ONLY; YOUR ACTUAL UNIT MAY VARY. FOR QUESTIONS, PLEASE CONTACT VALLEY CRAFT CUSTOMER SERVICE AT 1-800-328-1480 OR ON THE WEB AT CUSTOMER@VALLEYCRAFT.COM

BATTERY POWERED ROTOLIFT W/ POWERDRIVE



HYDRAULIC SCHEMATIC

BATTERY POWERED ROTOLIFT W/ POWERDRIVE



Warranty and Limitation of Liability

Valley Craft products are warranted for a period of one (1) year from date of shipment from Valley Craft's plant to be free from defects in material and workmanship under correct use, normal operation and proper application. However, parts of other than Valley Craft manufacture are subject ONLY to the original manufacturer's warranty. Valley Craft's obligation under warranty shall be limited to repair or exchange, at Valley Craft's option, FOB origin factory, of any Valley Craft product or part which proves to be defective as provided herein. Valley Craft reserves the right to either inspect the product at Buyer's location, or require it to be returned to the factory for inspection. The warranty contained herein does not extend to goods damaged, or subject to accident, abuse or misuse after shipment from Valley Craft's factory, nor to goods altered or repaired by anyone other than an authorized Valley Craft representative.

Buyer or user shall not alter, modify or use a Valley Craft product for anything other than its intended function. Valley Craft shall not in any way be responsible for the consequences of any such alteration, modification or misuse.

VALLEY CRAFT MAKES NO EXPRESS WARRANTIES OTHER THAN THOSE WHICH ARE SPECIFICALLY DESCRIBED HEREIN. Any description of the goods sold hereunder, including any references to Buyer's specifications and any descriptions in catalogs, circulars and other written material published by Valley Craft, is for the sole purpose of identifying such goods and shall not create an express warranty that the goods shall conform to such descriptions.

THIS WARRANTY IS EXPRESSLY IN LIEU OF ALL OTHER WARRANTIES, EXPRESS OR IMPLIED. THERE ARE NO IMPLIED WARRANTIES OF MERCHANTABILITY OR FITNESS FOR A PARTICULAR PURPOSE. THIS WARRANTY STATES VALLEY CRAFT'S ENTIRE AND EXCLUSIVE LIABILITY AND BUYER'S EXCLUSIVE REMEDY FOR ANY CLAIM OR DAMAGES IN CONNECTION WITH VALLEY CRAFT PRODUCTS, THEIR DESIGN, SUITABILITY FOR USE, INSTALLATION OR OPERATION OR FOR ANY CLAIMED DEFECTS. VALLEY CRAFT WILL IN NO EVENT BE LIABLE FOR INCIDENTAL OR CONSEQUENTIAL DAMAGES WHATSOEVER, NOR FOR ANY SUM IN EXCESS OF THE PRICE RECEIVED FOR THE GOODS FOR WHICH LIABILITY IS CLAIMED.

Technical Assistance/Warranty Procedure

What's Covered:

Parts and Labor to correct manufacturer's defect within one year of purchase.

Freight Cost

What's Not:

Normal wear items (seal kits, bearings, tires, etc.)

What Voids the Warranty:

Dirt/Grime that directly causes malfunction of product

Abuse (i.e. Overloading, damaged, not properly maintained, etc.)

Product altered by customer

*See "Items not Under Warranty" below for items that have the warranty voided.

Items Under Warranty (less than one year old):

Warranty replacement parts are provided only when the problem can be identified with near certainty. If not, the customer will return item to Valley Craft, freight collect, for troubleshooting and/or repair. When repaired, product will be returned to customer, freight prepaid. Otherwise, customer may call local authorized service technician for assistance. . Under this arrangement, replacement parts will be sent at no charge but labor costs will NOT be covered.

Items NOT Under Warranty (greater than one year old or "having warranty voided):

Customer will return item to valley Craft, freight prepaid, for troubleshooting and/or repair. Valley Craft will call customer with \$\$ estimate of parts and labor for approval before repairing. Product will be returned to customer, freight collect.

Or

Customer may call local authorized service technician for repairs at their own expense.



Valley Craft is a modern metals fabricating manufacturer specializing in material handling, storage and specialized solutions designed with safety and usability in mind, and the simplification of even the heaviest of workloads. Since developing the first hand truck with a brake in 1952, Valley Craft has been a true pioneer in safety-conscious material handling and solution-driven products. Our commitment to continuous improvement in a Lean Manufacturing environment results in safe, functional, quality equipment at affordable prices.

Valley Craft Industries, Inc.

2001 South Highway 61
Lake City, MN 55041 U.S.A.

Phone: (651) 345-3386

Fax: (651) 345-6535

E-Mail: customerservice@valleycraft.com

Website: valleycraft.com