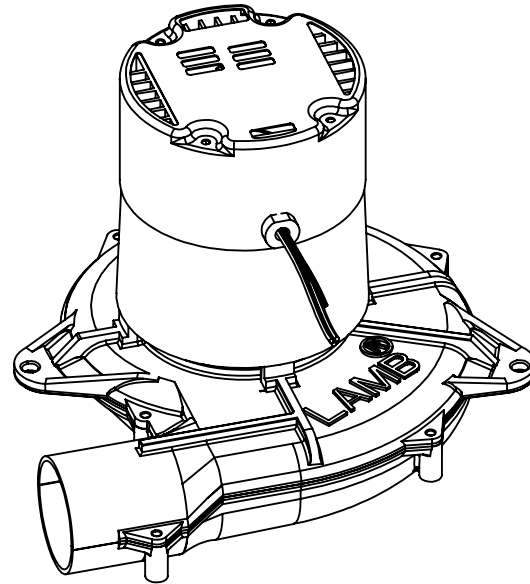


## V-SIX MOTOR 120V - REPLACEMENT

### PACKING LIST

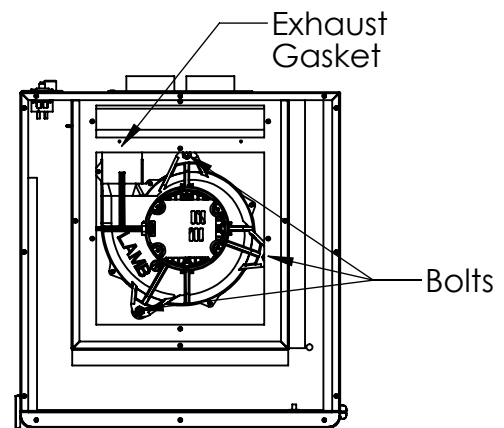
1 - 120V Brushed V-Six Motor Assembly



### MOTOR REMOVAL INSTRUCTIONS

1. Flip the *On/Off/Remote* switch on the *Control Panel* on the front of your V-Six into the *Off* position. Next flip the *Main Power Disconnect* switch on the *Power Panel* on the back of your V-Six into the *Off* position. Ensure that both switches are in the *Off* position, then remove the power cord from the unit.
2. Take the *Case Lid* off of the V-Six by removing the 15 flat head screws securing it in place, then carefully lift up and set the lid and the screws aside for use later.
3. If applicable to your V-Six, remove the *External Cooling Filter* from the *Filter Mounting Plate* on the back of the unit by sliding it upwards, then remove the *Filter Mounting Plate* by unscrewing the two screws near the vent. This will also allow you to remove the *Inlet Tube* from inside the case. Set the mounting plate, filter, screws and inlet tube aside.
4. Next, remove the 7 screws from the *Cool Air Divider Plate* and lift the plate out of the unit to expose the motor compartment. Set the divider plate and the mounting screws aside.
5. Disconnect the motor cables at the white connectors and locate the 3 mounting bolts that secure the motor in place (Fig. 1). Use a 1/2" socket or wrench to remove the motor mounting bolts. Once the bolts have been removed, you can take out the motor. Make sure to save the 3 bolts and 3 metal standoffs for mounting the replacement motor.

Fig. 1



---

## V-SIX MOTOR 120V - REPLACEMENT

---

### REPLACEMENT MOTOR INSTALLATION INSTRUCTIONS

---

6. Remove all components from packaging and check them against the packing list above on Page 1.
7. Insert the replacement motor into the motor compartment, and align the 3 mounting holes on the motor housing with the 3 rubber motor mounts on the bulkhead below. One at a time, place the metal standoff between the rubber motor mounts and the motor housing mounting holes, and feed the bolt through the motor housing and standoff. Once all three bolts are in position, firmly press down on the top of the motor and begin tightening the bolts with a 1/2" socket or wrench until the motor is secure.

**NOTE:** Make sure that the gasket that seals the motor's exhaust port (in the motor compartment towards the back of the unit - see Fig. 1) is not compromised and is still in proper position.

8. Once the motor is securely mounted, connect the male connector on the motor leads to the female connector on the V6 cable assembly inside the motor compartment. Test that everything is connected correctly by plugging the power cord in to the "Power Cord" port on the *Power Panel*, flipping the *Main Power Disconnect* switch into the *On* position, and then flipping the front *On/Off/Remote* switch into the *On* position. The motor should begin running. If successful, flip both front and rear switches into the *Off* position, and unplug the power cord from the unit.

**WARNING:** This motor will be exceedingly loud while it is running without the top of the case being closed. Only run the motor with the case open for a short period of time to ensure the electronics are properly connected, then turn off immediately.

9. After successfully testing, powering down the unit, and unplugging it from the power supply, remount the *Cool Air Divider* on top of the motor compartment with the 7 screws removed previously. If applicable to your V-Six, secure the *Inlet Filter Plate* to the back of the unit by tightening the two screws through the plate and case, and into the two mounting holes on the *Inlet Tube*. Slide the *External Cooling Filter* down into the *External Filter Mounting Plate*. If having trouble sliding the *External Cooling Filter* into the mounting plate, apply a small amount of dish soap or household cleaner to the sides of the filter frame and it should slide in please easily.
10. Place the *Case Lid* on top of the unit, making sure that the exhaust tube is aligned with the hole in the *Cool Air Divider Plate*, and secure the lid with the 15 screws removed at the start. Once finished, test the motor again using the same process described in step 8.