

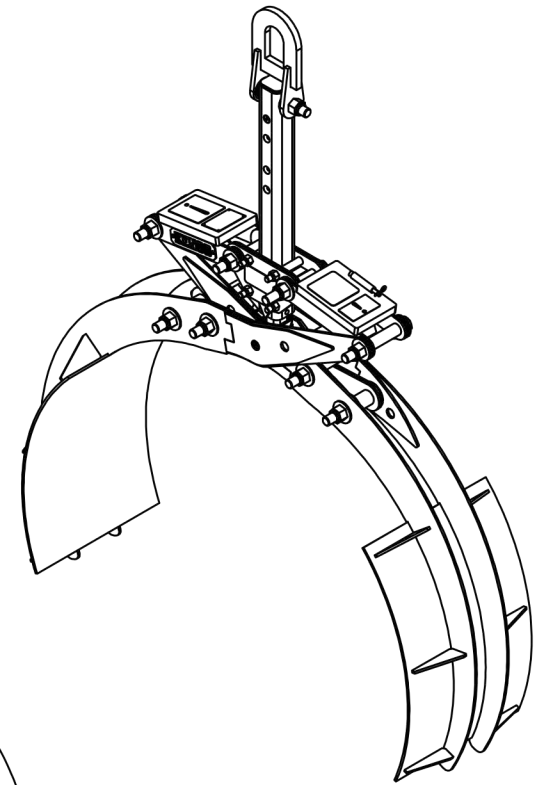
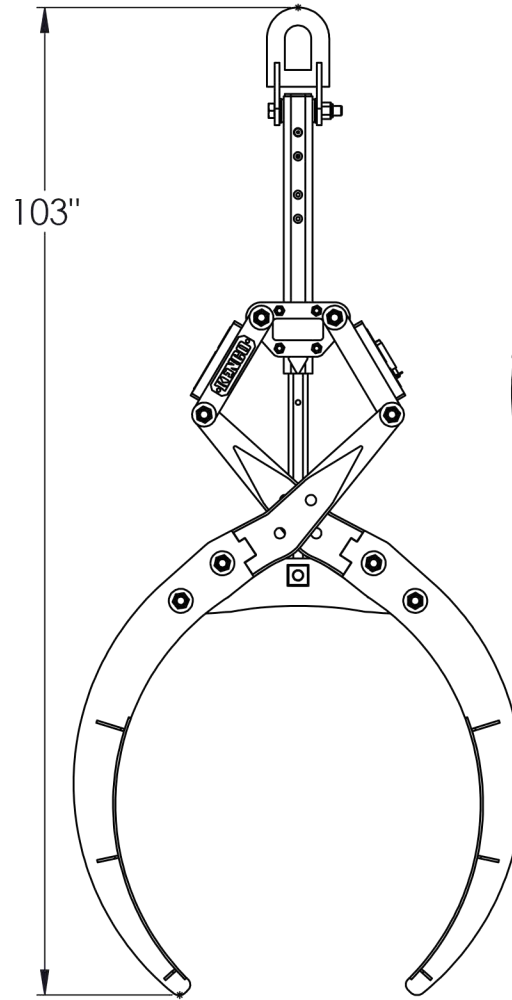
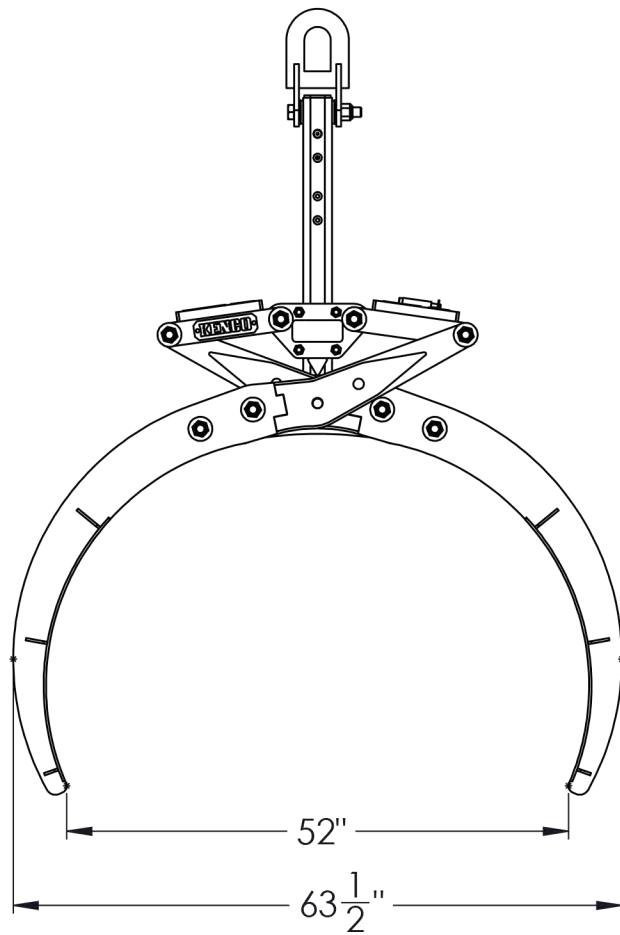
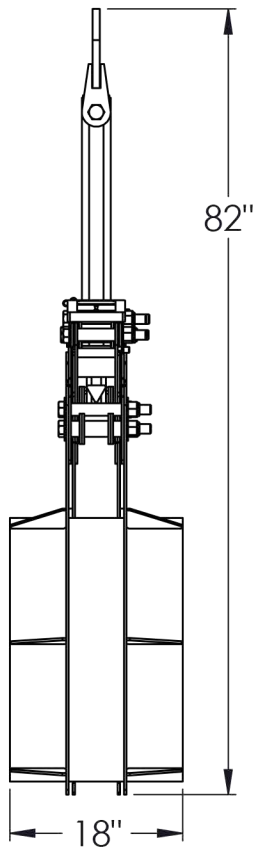
Kenco Superlift - SL6000 with Large Pipe Tines

Capacity: 6,000 lbs.

Weight: Approx. 415 lbs.

Min. Pipe OD: 36"

Max. Pipe OD: 50"



DRAWN BY:

T. FREIDHOFF

DATE:

6/9/16



Attachment
Solutions

KENCO CORP.
170 STATE ROUTE 271
LIGONIER PA 15658

(800)653-6069
WWW.KENCO.COM

THE INFORMATION PROVIDED WITHIN THIS
DRAWING IS THE PROPERTY OF KENCO CORP. ANY
REPRODUCTION, TRANSMITTAL, OR USAGE OF ANY
KIND IS PROHIBITED WITHOUT WRITTEN PERMISSION.

DIMS. = IN.

TOLERANCES:

FRACT.: ±1/16

ANG.: MACH±1°

BEND ±1°

DEC.: X.XX ±.03

X.XXX ±.01

DESCRIPTION

SL6K
Large Pipe Tine
PL36T50
Spec. Sheet

REVISION

1

xxxxxx

DWG.

XX