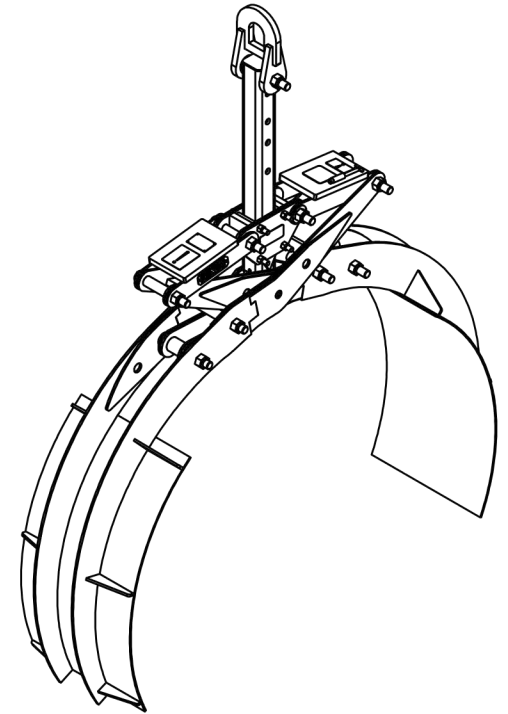
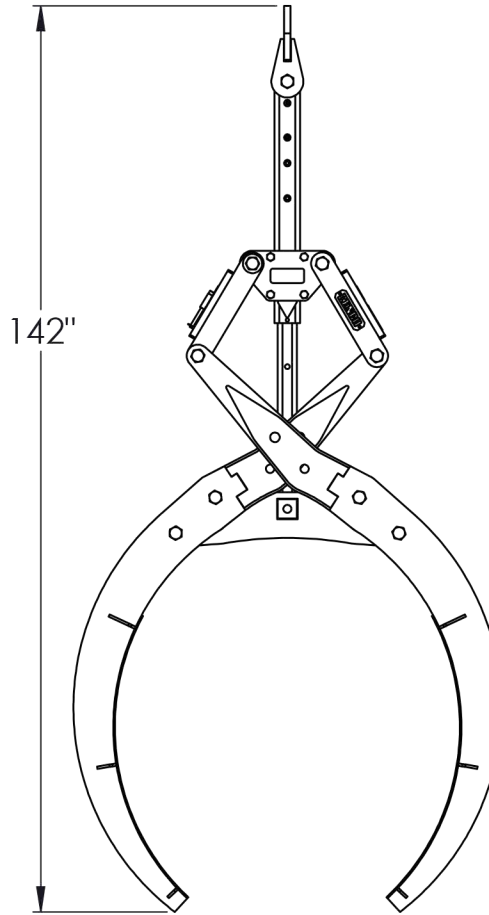
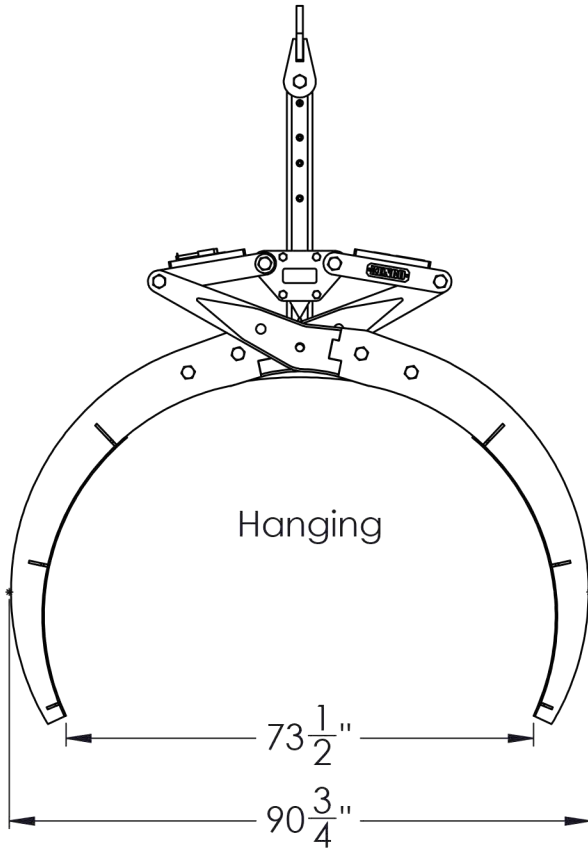
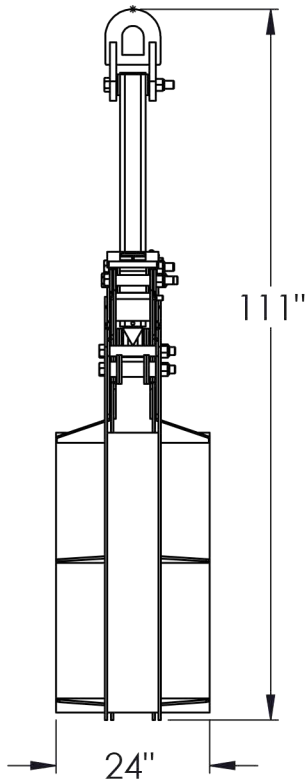


# Kenco Superlift - SL12000 with Large Pipe Tines

Capacity: 12,000 lbs.  
 Weight: Approx. 1030 lbs.  
 Min. Pipe OD: 48"  
 Max. Pipe OD: 72"



DRAWN BY:	T. FREIDHOFF
DATE:	5/5/16



KENCO CORP.  
 170 STATE ROUTE 271  
 LIGONIER PA 15658

(800)653-6069  
 WWW.KENCO.COM

THE INFORMATION PROVIDED WITHIN THIS DRAWING IS THE PROPERTY OF KENCO CORP. ANY REPRODUCTION, TRANSMITTAL, OR USAGE OF ANY KIND IS PROHIBITED WITHOUT WRITTEN PERMISSION.

DIMS. = IN.
TOLERANCES:
FRACT.: ±1/16
ANG.: MACH±1°
BEND ±1°
DEC.: X.XX ±.03
X.XXX ±.01

DESCRIPTION
SL12I-PL48T72 Spec. Sheet

REVISION	
1	xxxxxx
DWG.	
XX	