

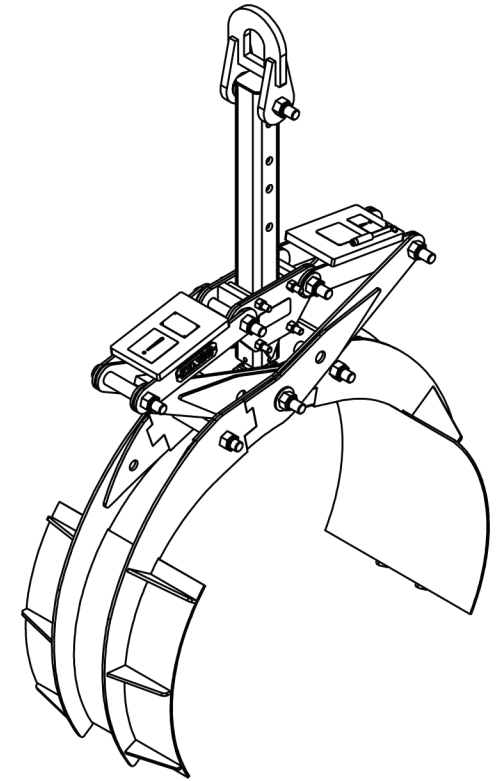
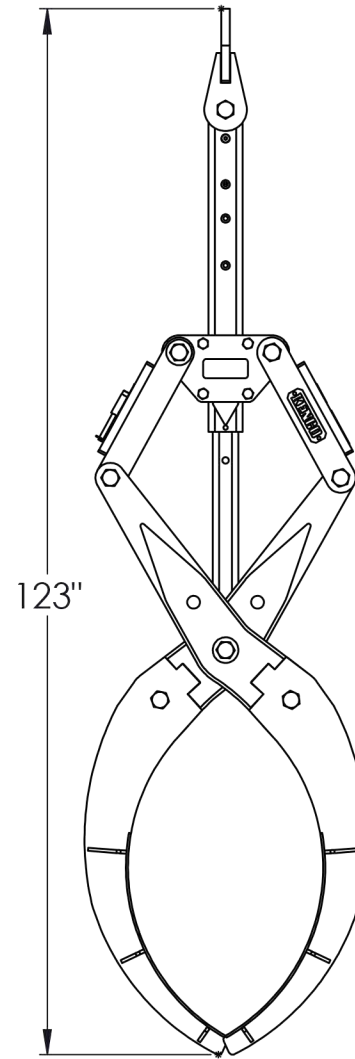
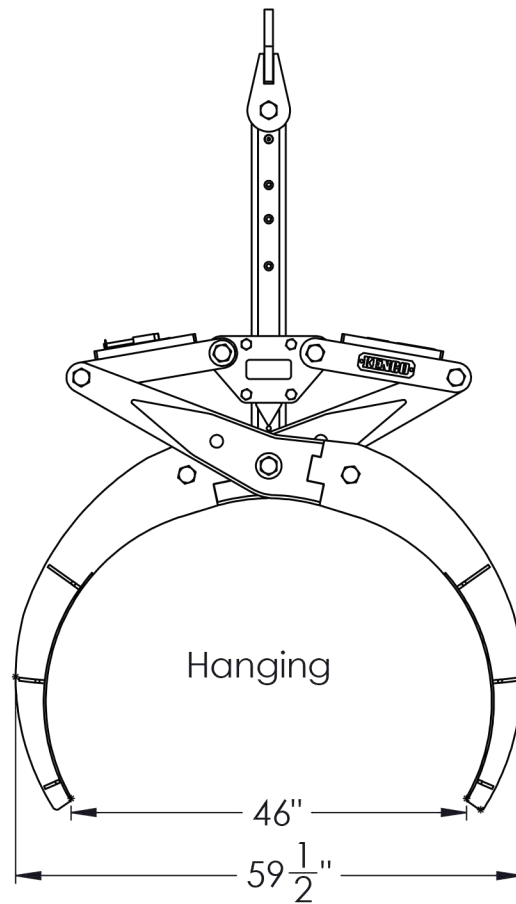
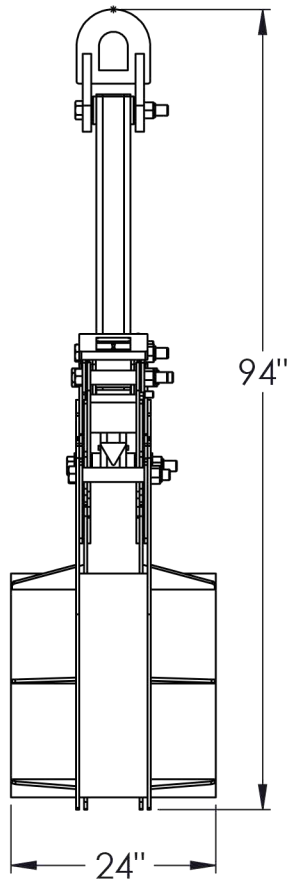
Kenco Superlift - SL12000 with Medium Pipe Tines

Capacity: 12,000 lbs.

Weight: Approx. 775 lbs.

Min. Pipe OD: 22"

Max. Pipe OD: 45.5"



DRAWN BY:	T. FREIDHOFF
DATE:	5/5/16



KENCO CORP.
170 STATE ROUTE 271
LIGONIER PA 15658

(800)653-6069
WWW.KENCO.COM

THE INFORMATION PROVIDED WITHIN THIS DRAWING IS THE PROPERTY OF KENCO CORP. ANY REPRODUCTION, TRANSMITTAL, OR USAGE OF ANY KIND IS PROHIBITED WITHOUT WRITTEN PERMISSION.

DIMS. = IN.
TOLERANCES:
FRACT.: ±1/16
ANG.: MACH±1°
BEND ±1°
DEC.: X.XX ±.03
X.XXX ±.01

DESCRIPTION
SL12K-PL22T45.5 Spec. Sheet

REVISION	
1	xxxxxx
DWG.	
XX	