

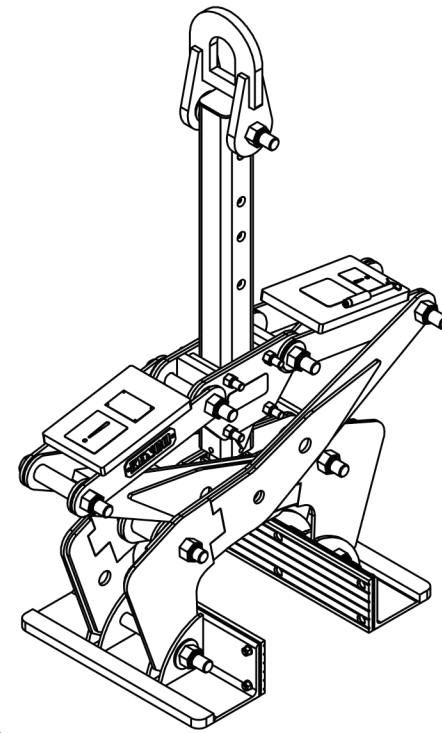
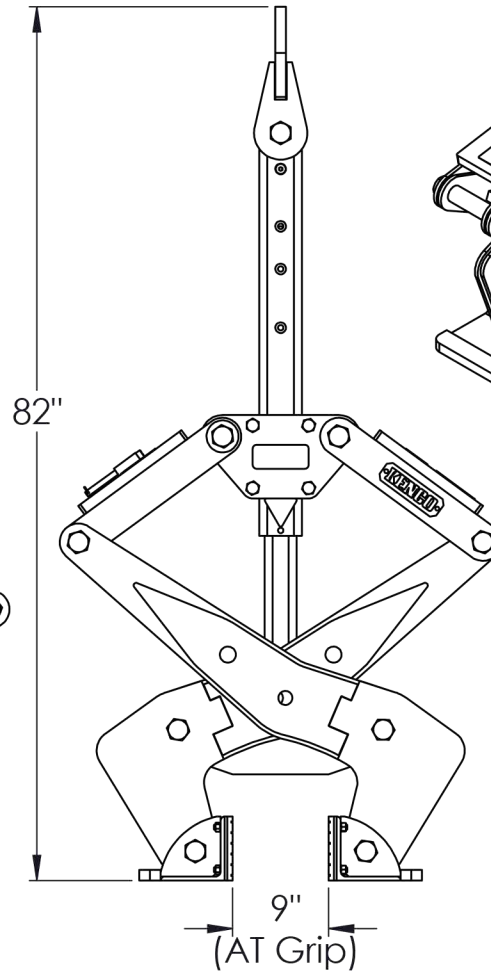
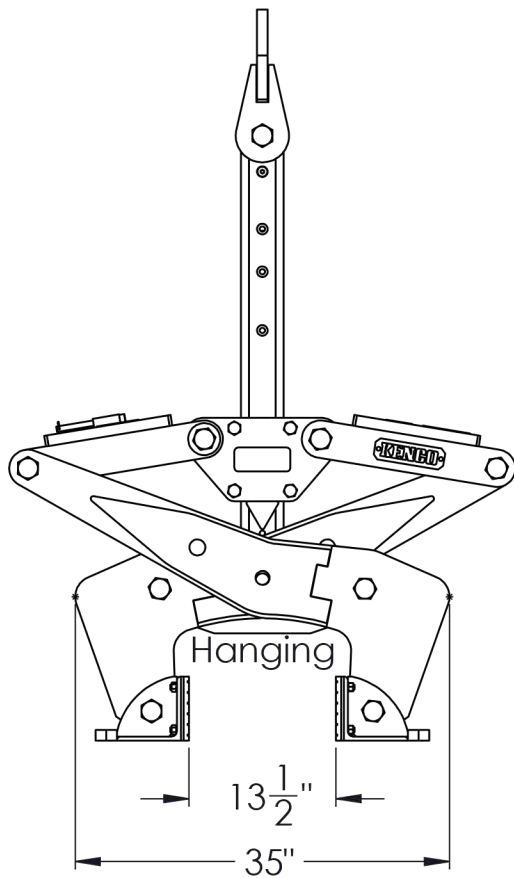
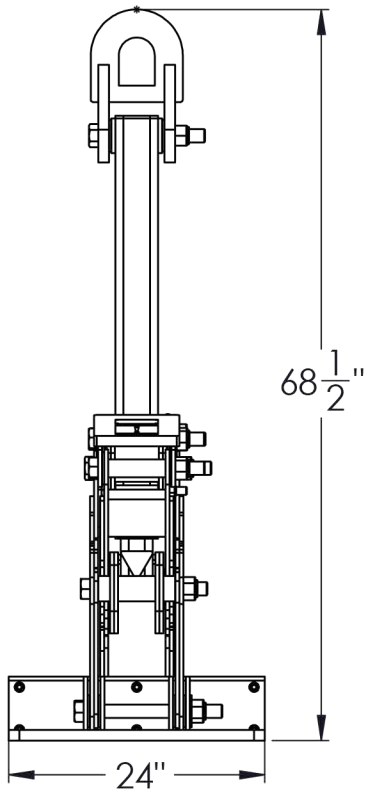
Kenco Superlift - SL12000 with Barrier Tong

Capacity: 12,000 lbs.

Weight: Approx. 820 lbs.

Usage: Barrier Wall 9" to 12" Top

Pad Size: 6"x24"



DRAWN BY:

T. FREIDHOFF

DATE:

5/5/16



Attachment
Solutions

KENCO CORP.
170 STATE ROUTE 271
LIGONIER PA 15658

(800)653-6069
WWW.KENCO.COM

THE INFORMATION PROVIDED WITHIN THIS
DRAWING IS THE PROPERTY OF KENCO CORP. ANY
REPRODUCTION, TRANSMITTAL, OR USAGE OF ANY
KIND IS PROHIBITED WITHOUT WRITTEN PERMISSION.

DIMS. = IN.

TOLERANCES:

FRACT.: ±1/16

ANG.: MACH±1°

BEND ±1°

DEC.: X.XX ±.03

X.XXX ±.01

DESCRIPTION

SL12K-KL9T12
Spec. Sheet

REVISION

1

xxxxxx

DWG.

XX