

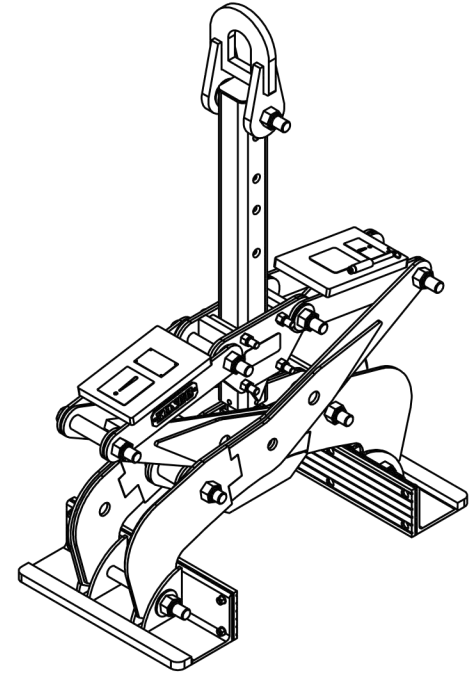
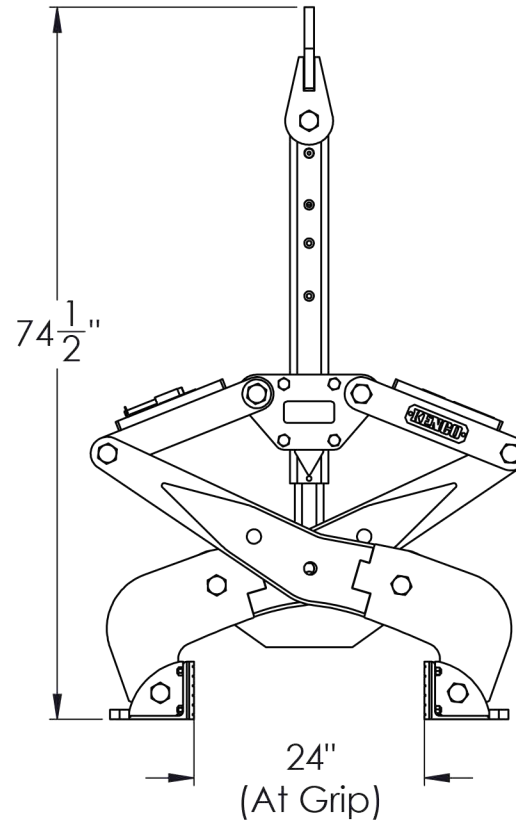
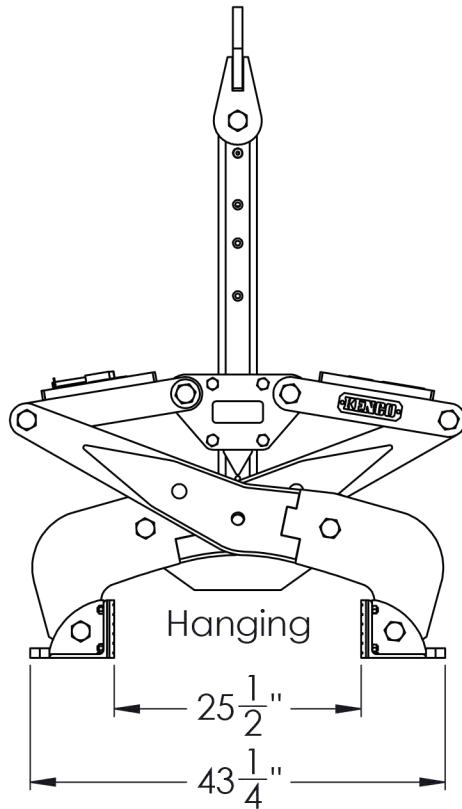
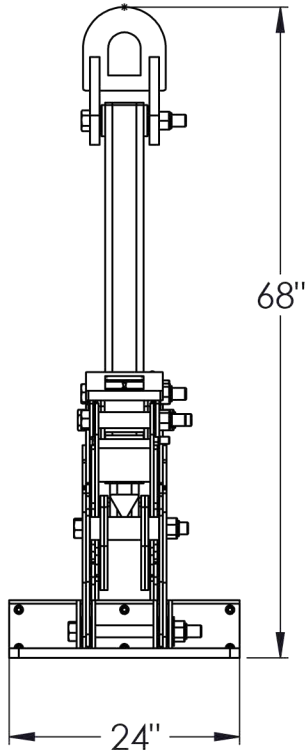
Kenco Superlift - SL12000 with 24" Block Attachment

Capacity: 12,000 lbs.

Weight: Approx. 850 lbs.

Useage: 24" Wide Blocks Only (No Range)

Pad Size: 6"x24"



DRAWN BY:
T. FREIDHOFF
DATE:
5/5/16



KENCO CORP.
170 STATE ROUTE 271
LIGONIER PA 15658

(800)653-6069
WWW.KENCO.COM

THE INFORMATION PROVIDED WITHIN THIS DRAWING IS THE PROPERTY OF KENCO CORP. ANY REPRODUCTION, TRANSMITTAL, OR USAGE OF ANY KIND IS PROHIBITED WITHOUT WRITTEN PERMISSION.

DIMS. = IN.

TOLERANCES:
FRACT.: ±1/16
ANG.: MACH±1°
BEND ±1°
DEC.: X.XX ±.03
X.XXX ±.01

DESCRIPTION

SL12K-BL24
Spec. Sheet

REVISION

1 xxxxxx

DWG.

XX