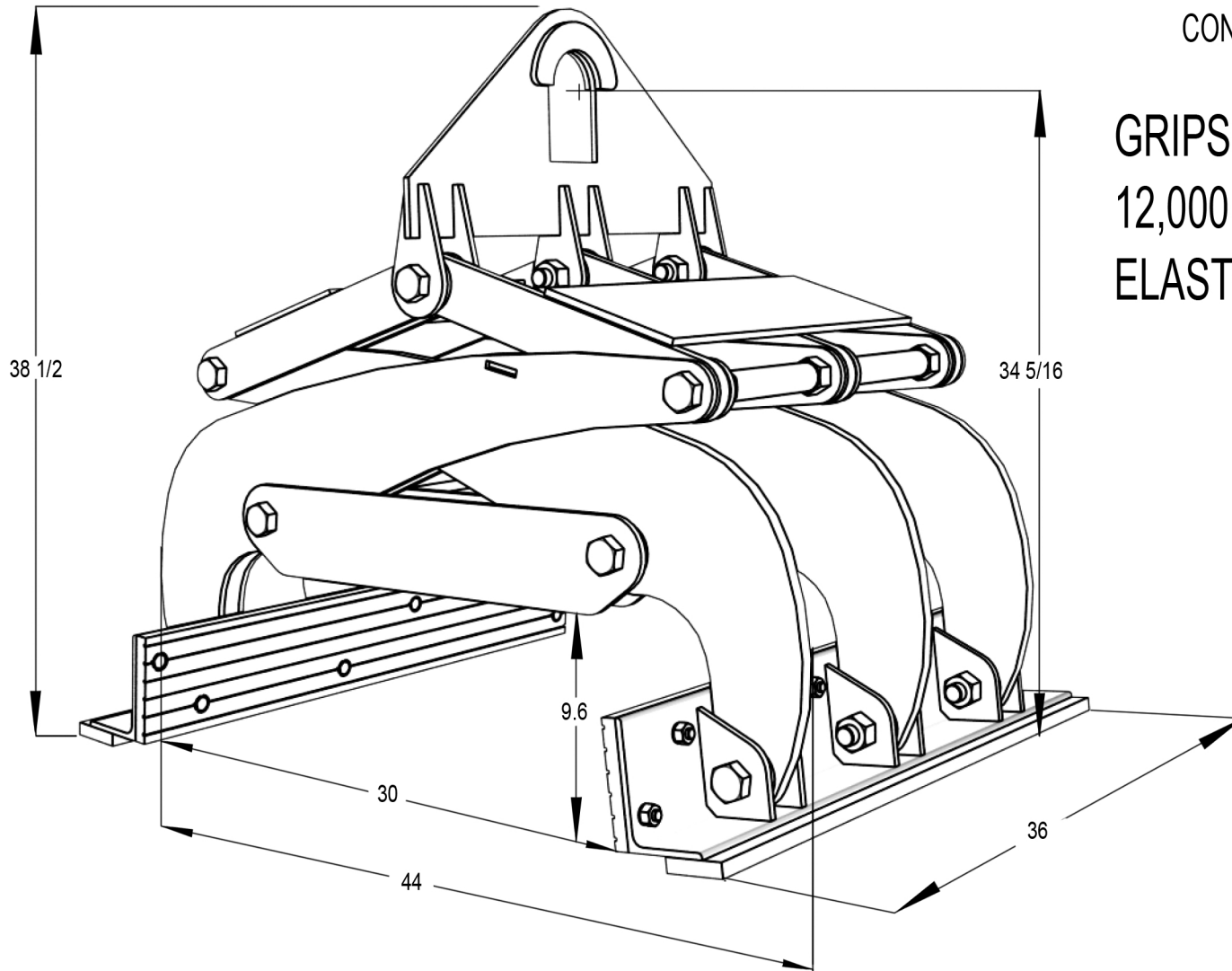



# KL12000TLP BARRIER LIFT

for TEXAS LOW PROFILE  
CONCRETE BARRIER WALL

GRIPS 28 INCH WALL TOP  
12,000 POUND CAPACITY  
ELASTOMER PADS 6 X 36



DRAWN BY:		KENCO CORP. 170 STATE ROUTE 271 LIGONIER PA 15658	(800)653-6069 <a href="http://WWW.KENCO.COM">WWW.KENCO.COM</a>	WEIGHT	DESCRIPTION TEXAS LOW PROFILE KL12000TLP BARRIER LIFT	PART NO.
N/A		THE INFORMATION PROVIDED WITHIN THIS DRAWING IS THE PROPERTY OF KENCO CORP. ANY REPRODUCTION, TRANSMITTAL, OR USAGE OF ANY KIND IS PROHIBITED WITHOUT WRITTEN PERMISSION.		850 lbs		N/A
DATE:			CAPACITY	12000 lbs		REVISION
N/A						