

vive®



# OVERBED TABLE

Owner's Manual  
LVA1022

[vivehealth.com](http://vivehealth.com)

## OVERVIEW

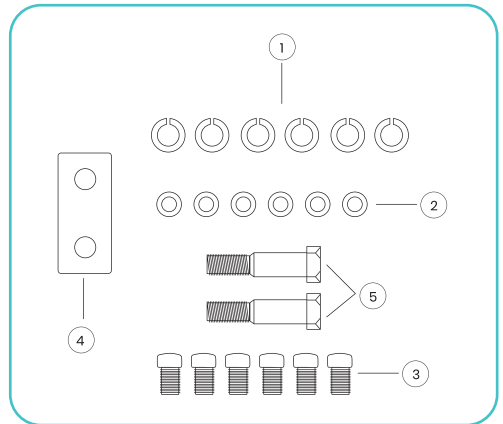
We are constantly answering questions and recording helpful videos to make using your Vive Overbed Table as easy as possible. Check out the included links and QR codes to help you through the process.



To see all FAQ's in one place visit [vhealth.link/g18](https://vhealth.link/g18)

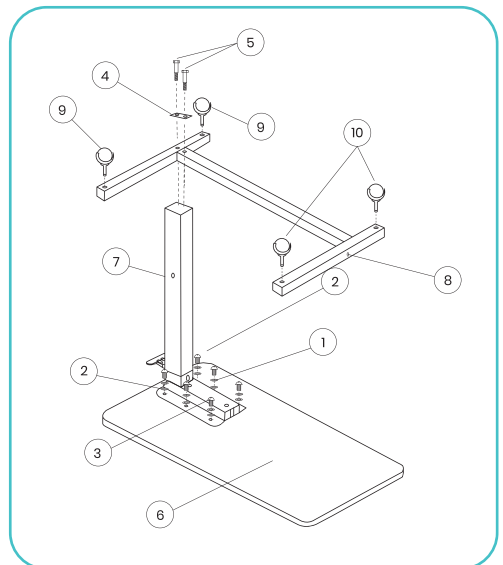
## HARDWARE INCLUDED

1. 6x Spring Washers
2. 6x Washers
3. 6x Screws
4. Bolt plate
5. 2x Bolts



## TABLE PARTS INCLUDED

6. Table top
7. Column assembly (includes trip rod)
8. Base
9. Wheels with lock (2 each)
10. Wheels without lock (2 each)



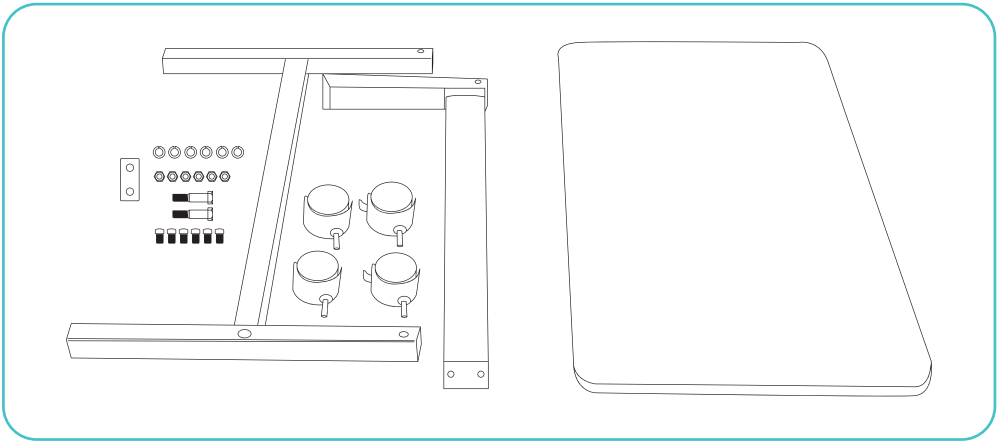
## ASSEMBLY INSTRUCTIONS



Want to watch us do this? Check out [vhealth.link/7ri](https://vhealth.link/7ri) for an easy instructional video.

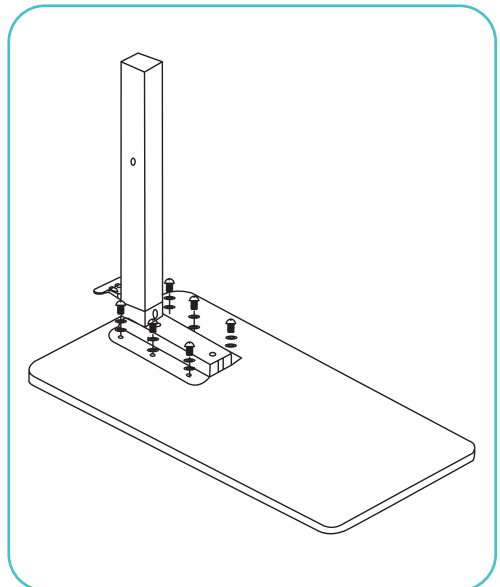
### Step 1:

Open the box and remove all of the parts. Verify all parts and hardware are present.



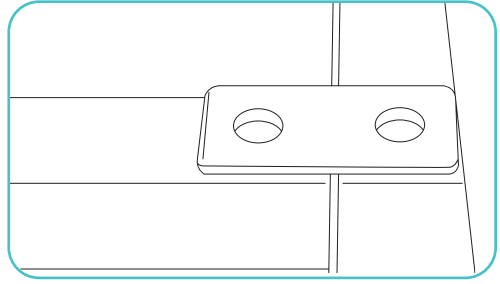
### Step 2:

Fit each Screw (#3) through a Flat Washer (#2), a Spring Washer (#1), the Column Assembly (#7), and finally into the underside of the Table Top (#6).



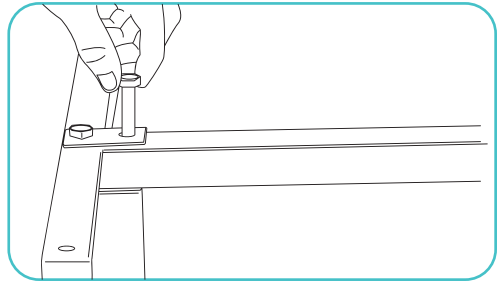
### Step 3:

Place the bolt plate (#4) on top of the base (#8).



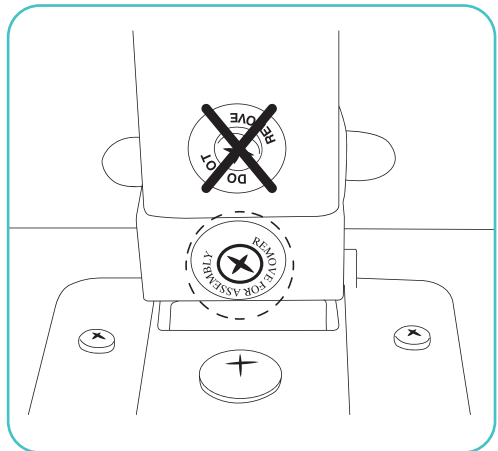
### Step 4:

Align the holes in the base (#8) with the bottom of the column (#7). Install the 2 bolts (#5) and tighten. The base must be installed in the same direction of the table top.



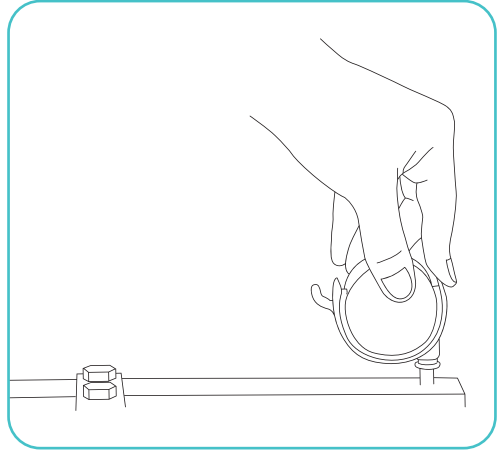
### Step 5:

Remove the black screw in the column marked for removal. Do not remove the silver screw.



### Step 6:

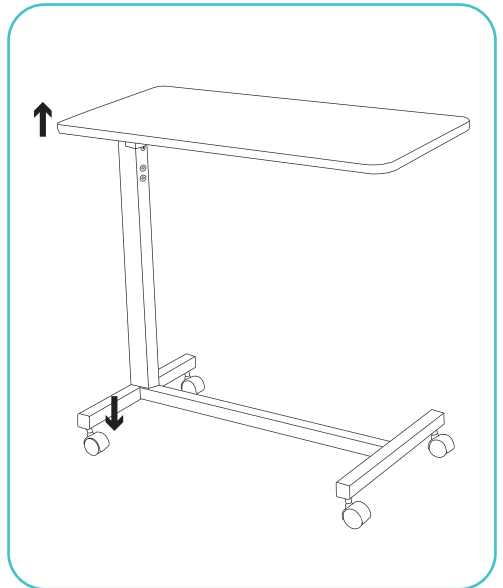
Install each wheel into the holes in the base (#8). Push them in as far as the top. The non-locking wheels (#10) should be installed in the base furthest from the column while the locking wheels (#9) should be closest to the column.



## OPERATING INSTRUCTIONS

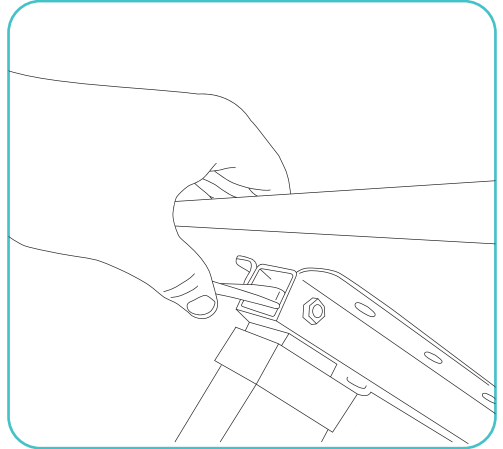
### Step 1:

To lock the wheels, step down on the wheel locking levers. To increase the height of the table, gently pull up on the table top.



## Step 2:

To adjust the tabletop height, lift the trip lever and push or pull the platform to the desired level.



## WARNING

- Please follow all instructions and warnings to avoid hazardous situations that can result in property damage, injury and/or death.
- Please follow all instructions and warnings to avoid hazardous situations that can result in property damage, injury and/or death.
- Inspect the overbed table for damage or loose hardware before each use. Do not use the table if it is damaged or unstable.
- Do not modify the table in any way.
- Only use the overbed table for its intended use.
- The overbed table is not designed to hold electrical items such as televisions and computers or to be used near an open flame or excessive heat.
- The overbed table is designed for indoor use only.
- The maximum weight limitation for this table is 50 pounds (22 kg.).

- Keep any weight on the overbed table evenly distributed over the surface. Do not overload the table. More than 50 pounds on the table could result in breakage, as well as damage to property, and/or serious injury.
- The overbed table should not be used as a sleep surface; as a walker or mobility aid; to prevent or brace a person's fall; or to help transport persons or items.

## GOT MORE QUESTIONS?

Check out our list of Frequently Asked Questions  
at [vivehealth.link/g18](https://vivehealth.com/g18) for helpful answers.



And if that doesn't answer your question, our customer service  
team would love to help! Feel free to connect with them by  
phone, e-mail, or chat on our website.



[service@vivehealth.com](mailto:service@vivehealth.com)



1-800-487-3808



[vivehealth.com](https://vivehealth.com)

Distributed by

**vive**  
health

8955 Fontana Del Sol Way  
Naples, FL 34109  
Made in China

151020