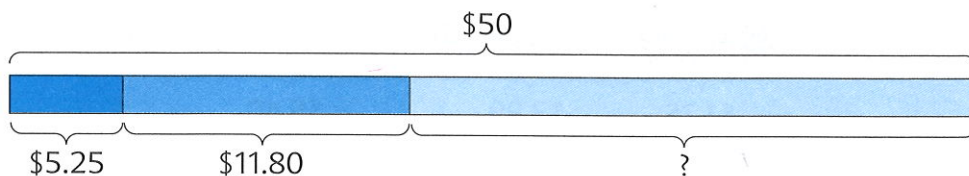


37. Samantha bought a fish for \$5.25.
 She also bought some shrimps for \$11.80.
 She paid with a \$50 bill.
 How much change did she receive?



Method 1:

I subtract \$5.25 and \$11.80 from \$50.

$$\$50 - \$5.25 - \$11.80 = \$ \blacksquare$$

She received \$ \blacksquare change.



Method 2:

First, I find the total amount of money Samantha spent.

$$\$5.25 + \$11.80 = \$17.05$$

She spent \$17.05 altogether.

$$\$50 - \$17.05 = \$ \blacksquare$$

She received \$ \blacksquare change.

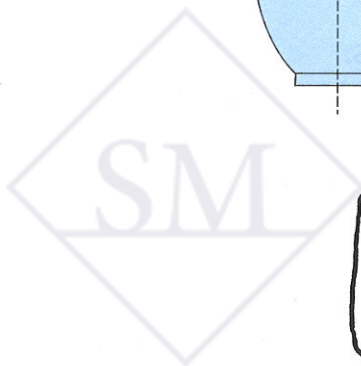
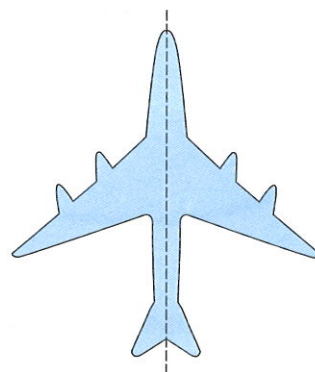
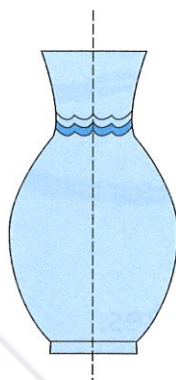
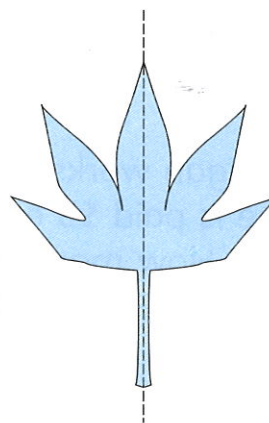
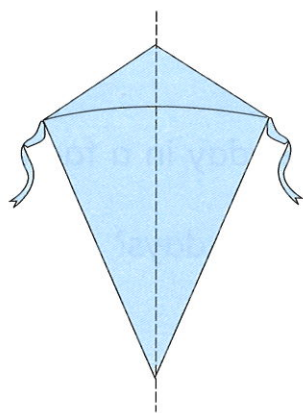




Symmetry

1 Symmetric Figures

Many things around us have **symmetry**. Here are some of them.



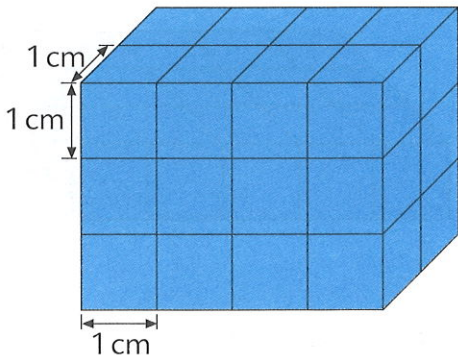
These are **symmetric figures**. The dotted line in each figure is a **line of symmetry**.



Look for some more examples of symmetry around you.

2 Volume of a Cuboid

The cuboid is made up of 1-cm cubes.



$4 \times 2 = 8$
There are 8 cubes in each layer.

$8 \times 3 = 24$
There are 24 cubes altogether.



The length of the cuboid is 4 cm.

Its width is 2 cm.

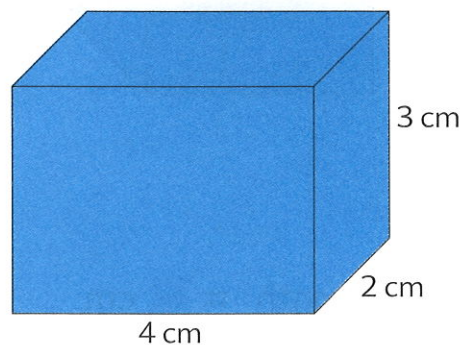
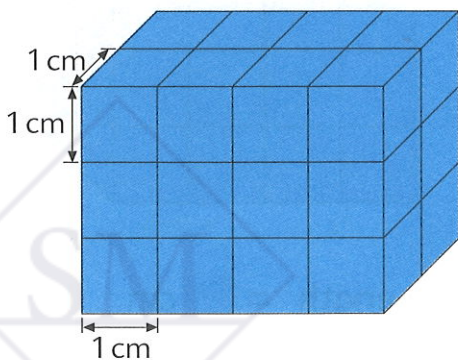
Its height is 3 cm.

Its volume is ■ cm^3 .

$4 \times 2 \times 3$



The cuboid measures 4 cm by 2 cm by 3 cm.



Volume of cuboid = Length \times Width \times Height