

# ANETA LIGHTING

LIGHTS FOR HOME AND WORK SINCE 1947

www.aneta.se  
www.aneta.no

## ARTIC 68009

SE: Om kabeln på lampan blir skadad skall den bytas ut av fackman.

Rengöring: Torkas med torr trasa.

NO: Hvis ledningen til lampen blir skadet må den skiftes av person med god elkunnskap.

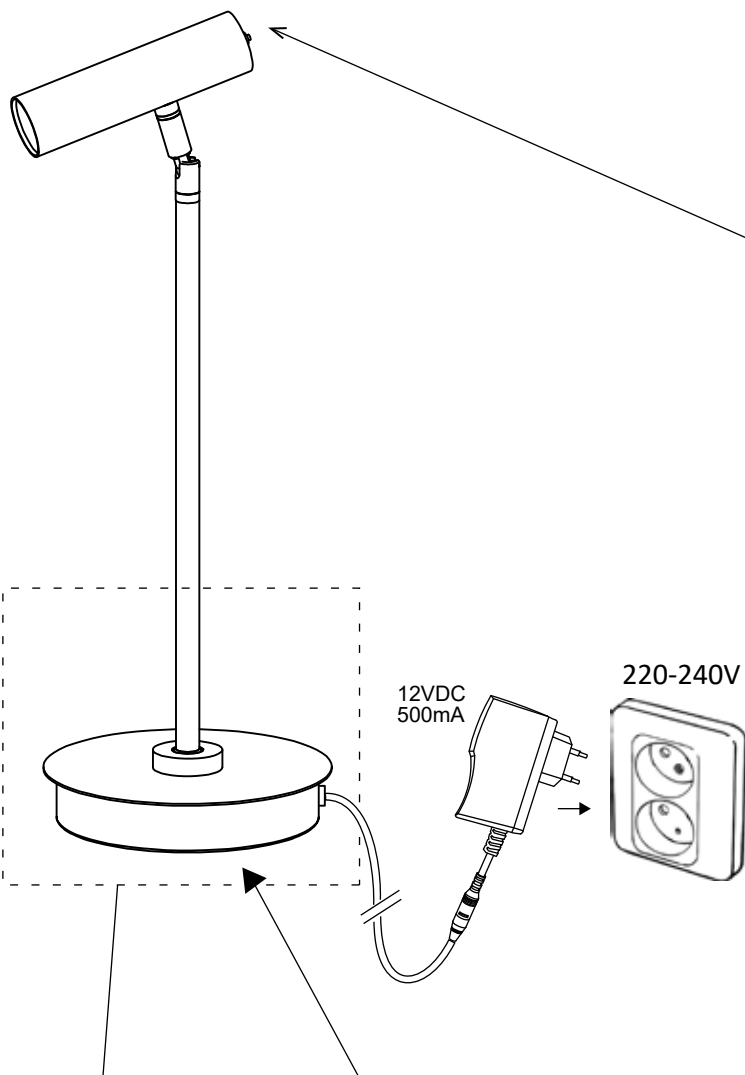
Rengjøring: Tørkes av med tørr klut.

FI: Jos valaisimen johto on vahingoittunut niin johdon pitää vaihtaa ja vaihdon tekee ammattimies.

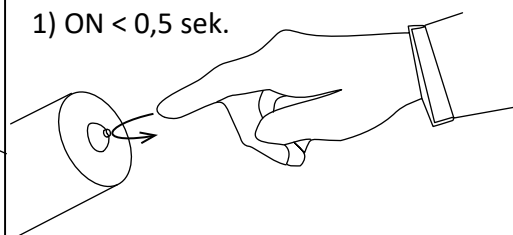
Siivous: Pyyhi kuivalla liinalla.

EN: If the cable or cord of this luminaire is damaged, it shall be replaced by a qualified person.

Cleaning: Wipe with a dry cloth.



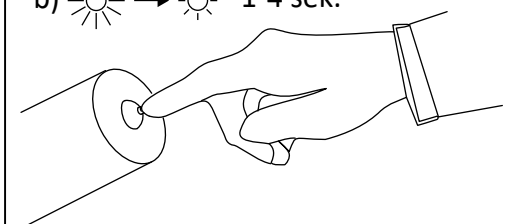
1) ON < 0,5 sek.



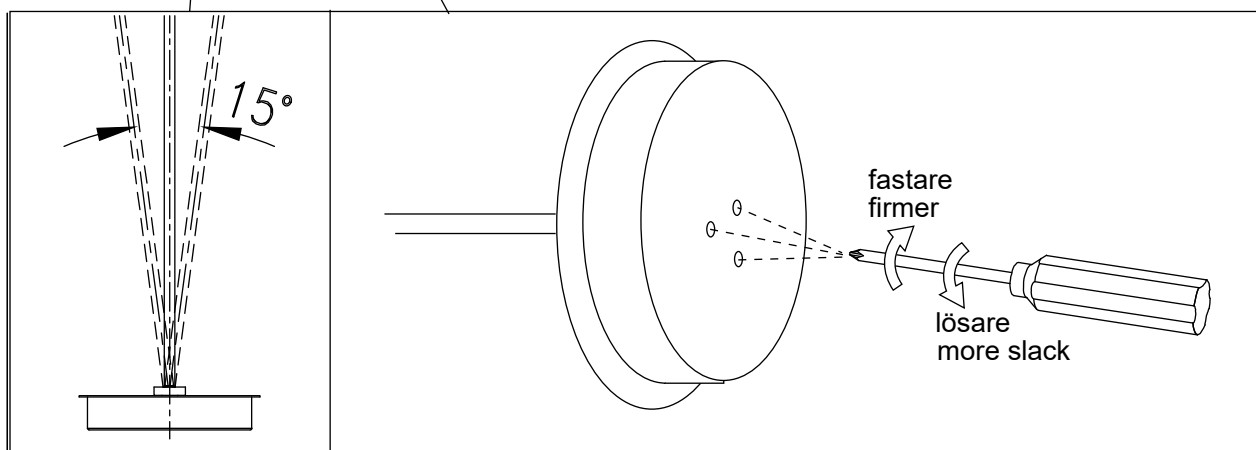
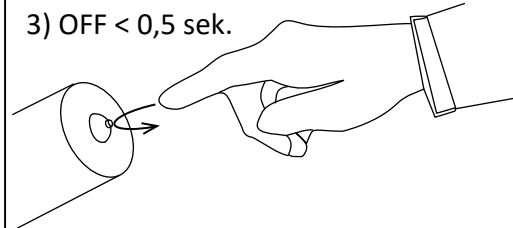
2) dimmer/himmennin

a) ☀ → ☀☀ 1-4 sek.

b) ☀☀ → ☀ 1-4 sek.



3) OFF < 0,5 sek.



ARTIC  
68009

**ANETA**  
LIGHTING  
LIGHTS FOR HOME AND WORK SINCE 1947

SE: Denna produkt innehåller en ljuskälla med energieffektivitetsklass E.  
Ljuskällan är utbytbar som reservdel.

NO: Dette produktet inneholder en lyskilde med energieffektivitetsklasse E.  
Diodelyskilden kan skiftes som reservdel.

FI: Tämä tuote sisältää valonlähteen, jonka energiatehokkuusluokka on E.  
LED valolähde vaihdetta vissa, löytyy varaosana.

EN: This product contains a light source of energy efficiency class E.  
The LED-chip is exchangeable as a spare part.

Light Source data:

Lighting technology used: ..... LED  
Mains or non-mains: ..... non-mains  
Directional or non-directional: ..... non-directional  
Connected L.S.: ..... no  
Color-tuneable: ..... no  
Envelope: ..... no  
High luminance: ..... no  
Anti-glare shield: ..... no  
Dimmable: ..... no  
Energy consumption in on-mode: ... 6 kWh / 1000 h  
Energy efficiency class (A-G): ..... E  
Useful luminous flux:..... 670 lm \*  
CCT colour temperature:..... 3000 K  
On-mode power: ..... 5.5 W  
Stand-by power: ..... -  
Networked standby power: ..... -  
CRI: ..... ≥ 80  
R9 color rendering index: ..... 2  
Chromaticity coordinates (X, Y): ..... 0.438, 0.401  
Lifetime  $L_{70B_{50}}$ : ..... 50 000 hours  
Lumen maintenance factor: ..... 0.96  
Survival factor: ..... 0,91  
Power supply input: ..... 600mA, ~9.15VDC

\* The luminous flux stated here is the value for the light source itself in accordance with Regulation (EU) 2019/2015. The luminous flux stated on the packing box is for the lighting fitting, where the light from the light source is partly absorbed by glass/glare shield/shade and parts of the fitting, and is therefore lower than for the light source.