

Part No:
UBC1210



STERLING POWER

Sterling Power Products 12V 10A | AC to DC Battery Charger Handbook

UBC1210



UK
CA



RoHS
compliant



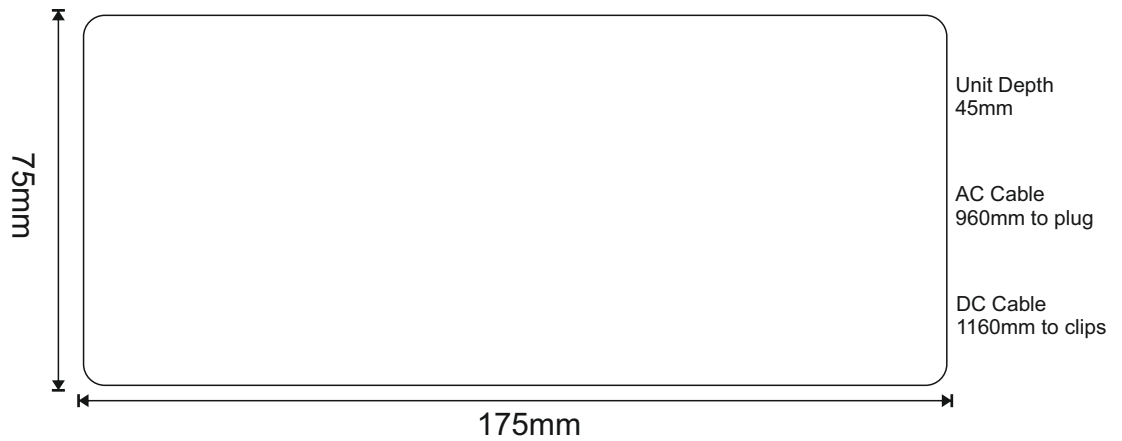
www.sterling-power.com
www.sterling-power-usa.com

Warranty (2 years return to factory)

Copyright © 2023
Sterling Power
All Rights Reserved

INTRODUCTION TABLE OF CONTENTS

Page	
02	Table of Contents Dimension Drawing
03	Installation
04	Troubleshooting Series and Parallel wiring



Input voltage range AC:	100VAC - 250VAC 40-70Hz
Output target voltage:	14.4V to 13.5V float
Absorption time:	Varies based on state of charge.
Output continuous current:	10A
Charge curve:	Constant current until 14.4V
Efficiency:	92%
AC plug fitted:	C13 with UK Mains (Plug type G)
DC terminations:	Crocodile clip x2
DC cable length:	1160mm
AC cable length:	960mm
Unit dimensions, LWD (mm):	175 x 75 x 45
Lithium compatible:	Yes.
Warranty period:	Two years from purchase

SAFETY: EN60950-1 EN60335
EMC: EN55022

APPROVED: CE RoHS FCC SAA C-TICK

Can be installed in series and parallel

INTRODUCTION SIMPLY PLUG AND PLAY

AC input UK plug
100VAC - 250VAC
40-70Hz



The UBC1210 is a plug and play device. No setup is required. Simply connect the croc leads to the respective terminals on the batteries. *If it is not clear the battery's polarity use a voltmeter.* Once croc clips are connected, then plug the charger in to mains.

As the AC lead is replaceable - an alternative style plug can be installed.

UBC1210



UBC1210 charger - the power gauge simply demonstrates that the charger is charging. The more green LEDs that are showing suggests that the battery is getting fuller.



Red LED = power going to UBC1210/
Green LED = battery charging in progress.

Ensure polarity is correct before connecting croc clips



Charge voltage: 14.4V
Float voltage: 13.5V
Charge current: 10A

Positive and Negative Croc Clips

Simply connect directly across positive and negative



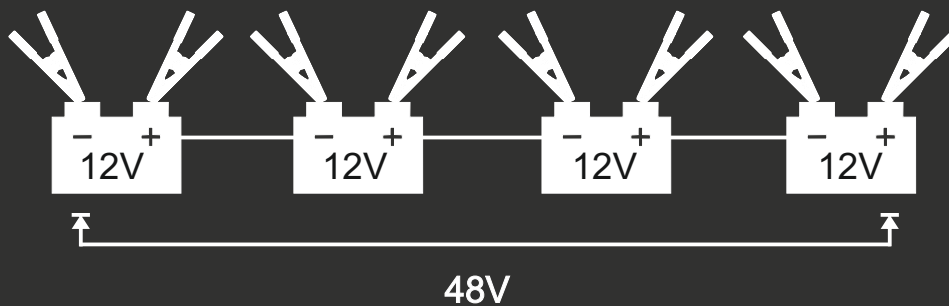
STERLING
POWER

TROUBLESHOOTING

Problem	Error Code	Possible Cause	Solution
No LEDs Charger not on	No LEDs lit	No AC power	Ensure AC is on 100V-250V
No DC output	4 LEDs flashing simultaneously	- Output is short circuit. - Reverse polarity	- Check DC connection - Ensure polarity is correct - Check Batt V
No Charging current	4 LEDs green LEDs are OFF	- no battery voltage	- battery may be defective - Croc clips loose

SERIES CONNECTION

Multiple UBC1210s can be wired up in series. Simply wire the croc clips of each of the UBC1210s across the 12V batteries that make up the high voltage battery bank, as below. These shall act like very able battery balancers across your higher voltage stack.



PARALLEL CONNECTION

Multiple UBC1210s can be wired up in parallel. This shall amplify the charging current. You can simply stack the croc clips on top of each other on 1 battery, or wire them to other 12V batteries within your 12V system, as below. This shall give you 20/30/40A etc.

