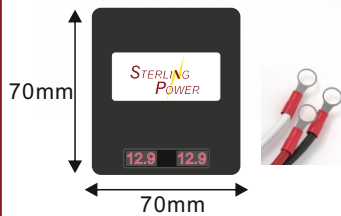


Part No:  
BAL24



latest instructions



# STERLING POWER

## Sterling Power Products Battery Balancer - 24V Handbook

### BAL24



UK  
CA



RoHS  
compliant



[www.sterling-power.com](http://www.sterling-power.com)  
[www.sterling-power-usa.com](http://www.sterling-power-usa.com)

**Warranty (2 years return to factory)**

Copyright © 2022  
Sterling Power  
All Rights Reserved

#### What does the BAL24 offer?

- Balancing across 24V batteries (12V | 12V series)
- BAL24 simply moves current from higher voltage to lower voltage until the voltages across the batteries are approximately the same.
- Balancing current varies - up to 5A.

**BAL24 Installation Diagram**

**Welcome** The BAL24 is designed to be used to balance 24V battery banks comprised of multiple 12V batteries. It is a plug and play device that does not need any adjustment. Simply connect the 3x ring terminals to the respective connections on the batteries. The two display screens simply show the voltage of the battery that the cables are connected to.

**Minimum requirements** For a 24V system, 1x BAL24 is required  
For a 36V system, 2x BAL24 are required  
For a 48V system, 3x BAL24 are required

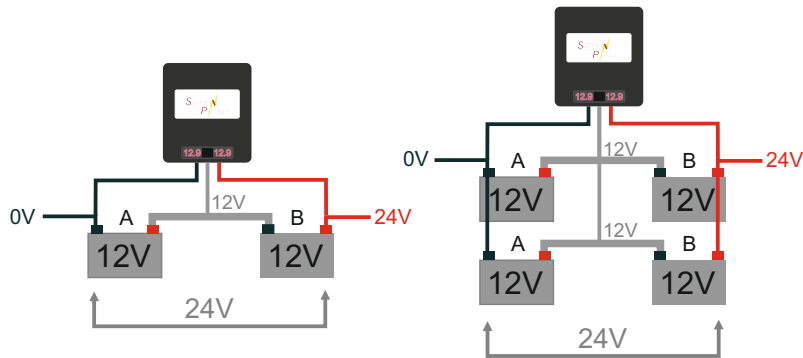
**Additional BAL24s** Multiple can be installed in parallel to increase balancing current. Simply stack the 8mm ring terminals on top of each other.

**LED screens** The left screen shows the voltage across the 0V-12V (black and white cables) and the right screen shows the voltage between the 12V-24V (white and red cables).

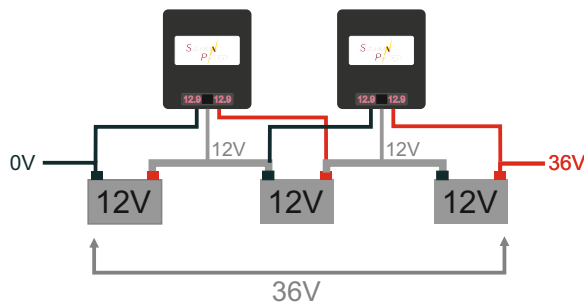


**Installation** We highly recommend using a voltmeter:  
**Red cable** - 24V  
**White cable** - 12V  
**Black cable** - 0V

**24V battery wiring**



**36V battery wiring**



**48V battery wiring**

