

Jump Start Feature - March 2023 models onwards

BB reverse charging rates to 13.3V:

BB1220 - 10A

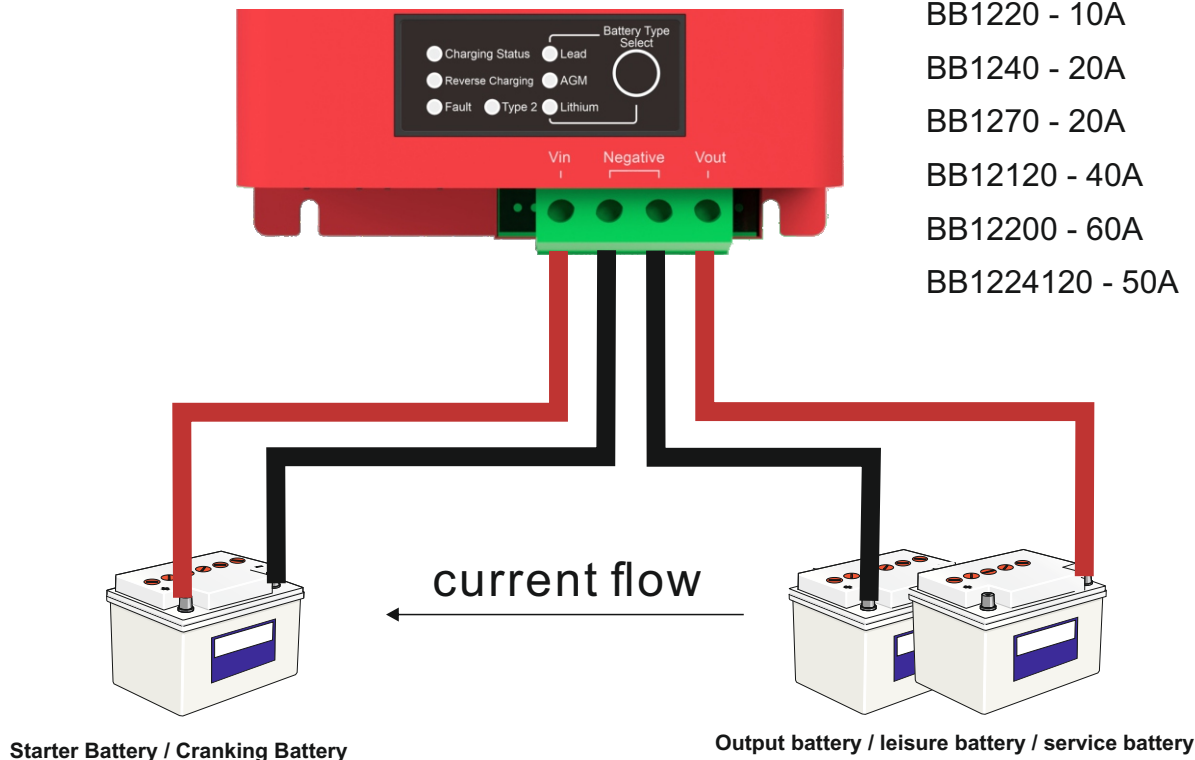
BB1240 - 20A

BB1270 - 20A

BB12120 - 40A

BB12200 - 60A

BB1224120 - 50A



Introduction: The jump start feature allows the BB to take stored current from your output battery and transfer it to the starter battery. It charges the starter battery up to assist with starting / cranking your engine. It is NOT the equivalent of using jump leads as the BB is a current limiting device and shall require several minutes of current transfer to assist with cranking. So, when you enable this mode, please wait several minutes before cranking your engine because the current transfer is between 10A-60A not 200A+.

If you find yourself using this feature constantly you likely have a parasitic drain on your starter battery or your starter battery needs replacing.

How to turn Jump Start on:

- **Press the Select button 4 times. The reverse charging LED turns on.**

It shall remain on for 20 minutes - after 20 minutes the BB shall stop jump start charging and resume what it was doing before. You can repeat this procedure as frequently as you wish. *We recommend leaving this mode on whilst cranking.*

Once your engine is running you can either wait for the remaining time (whatever remains of the 20 minute timer) or press the Select button once to turn off and the BB shall revert back to where it was before.

You can turn off the Jump Start feature by pressing the Select button once - reverse charging LED turns off.

To confirm the mode is engaged the reverse charging LED shall be on. It shall also say 'reverse' on the remote control (BBR).

Minimum operating voltages are:

5V on starter battery (The BB works off the starter battery and needs least 5V)

11V on the leisure battery (if your leisure battery is below this the reverse charging won't operate)