

Sterling Power Products

Manual 230V Crossover Switch

STERLING SC16A, SC32A, SC60A
Fitting Instructions

Attention: Any work on 230V wiring must be carried out by a professional person. Please refer to the legal requirements of your country of residence.

Do not make any alterations to the switch!

Ensure all link connections already on the switch remain in place

Make sure that the mounting surface is strong enough to safely hold the switch.

Any wires leading to and from the switch must be specified for 230V. Make sure that they cannot move or be damaged by sharp edges.

If you have any doubts regarding the installation or operation of the switch, please contact Sterling Power Products Ltd.

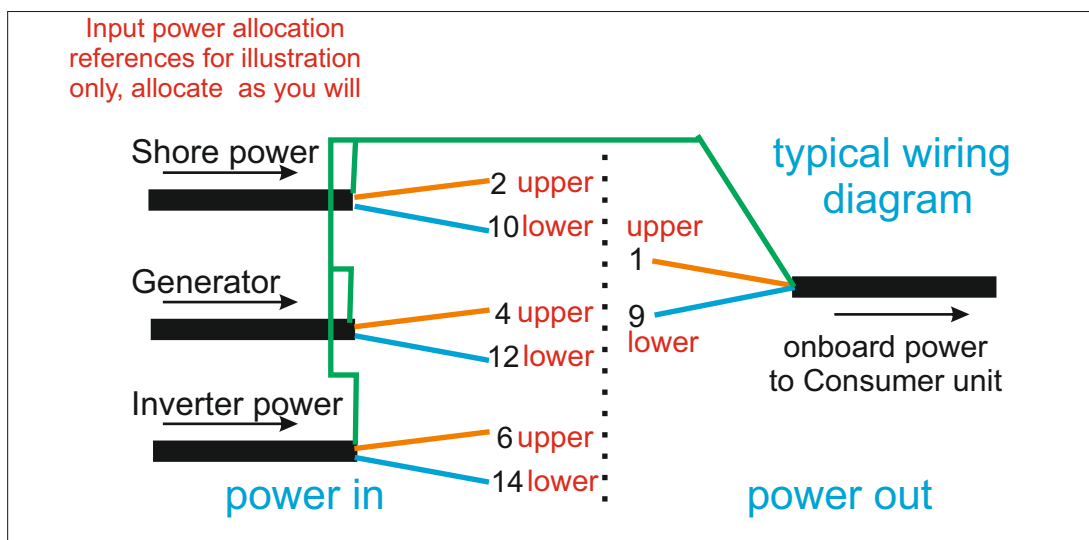


Upper Connections

- [1] LIVE OUTPUT
- [2] MAINS LIVE INPUT
- [4] GENERATOR LIVE INPUT
- [6] INVERTER LIVE INPUT

Lower Connections

- [9] NEUTRAL OUTPUT
- [10] MAINS NEUTRAL INPUT
- [12] GENERATOR NEUTRAL INPUT
- [14] INVERTER NEUTRAL INPUT



2 YEAR GUARANTEE: RETURN TO FACTORY IF IN THE FIRST 2 YEARS YOU HAVE A FAULTY STERLING PRODUCT, THE PRODUCT SHOULD BE RETURNED DIRECT TO STERLING (TO SPEED UP THE HELP PROCESS) AND WE WILL ENDEAVOUR TO REPLACE THE PRODUCT OR REPAIR IT WITHIN 24 HRS AT THE FACTORY. STERLING CANNOT BE HELD RESPONSIBLE FOR THE RETURN CARRIAGE OR ADDED WORK. LIFE TIME REPAIR POLICY AFTER 2 YEARS IF IT IS UNECONOMIC TO REPAIR THE PRODUCT THEN A SPECIAL DISCOUNT WILL BE OFFERED ON A SIMILAR PRODUCT AT THE FACTORY'S DISCRETION. THIS ONLY APPLIES AT THE FACTORY.

Unit 8,
Wassage way
Hampton Lovett Ind Est
Droitwich
WR9 0NX
England
Tel (44) 0 1905771771
Fax(44) 0 1905779434
email help@sterling-power.com

www.sterling-power.com
www.sterling-power-usa.com