



Zenty | Professional A/V Solution Provider

User Manual [v1.0]



4K 60Hz 4:2:0 HDBaseT HDMI over Ethernet Extender 130ft | 230ft

ZT-132 | ZT-EXB130

ZENTY®

9807 EMILY LANE

STAFFORD, TX 77477

(844) 200-1945

SUPPORT@ZENTY.COM



Table of Contents

- 1. Introduction 3
- 2. Features..... 3
- 3. Package Contents 3
- 4. Connection and Operation 4
- 5. Setting Instruction..... 4
- 6. Specifications 5
- 7. Panel Description 6
- 8. Typical Application..... 8
- 9. Maintenance 8
- 10. Warranty 8
- 11. Mail-In Service 8
- 12. Limited Warranty Limits and Exclusions 8

1. Introduction

The Zenty EXB130 is a 4K 4:2:0 HDBaseT extender capable of extending Ultra HD source signals up to 130ft. and full HD source signals up to 230ft. over a single CAT5e/6 ethernet cable. This extender also supports popular functions, such as PoC (power over cable), where the receiver is powered by the transmitter, making for less cable clutter. There is bi-directional IR control, and RS232 for firmware update. The Zenty EXB130 is built on state-of-the-art embedded chip-set with ESD protection inside, and has been passed more than 1000 hours of tests under sophisticated applications, such as security systems, outdoor advertising screens, broadcasting stations, and public theaters.

2. Features

- Use single UTP/STP LAN cable (CAT-5E/6) to substitute HDMI cable to achieve long distance transmission
- UTP/STP cable termination follows the standard of IEEE-568B
- Transmission distance reaches up to 230ft. under the video format of 1080P and 4K up to 130ft meters
- POC (power over cable function where the RX is powered by TX)
- HDCP2.2/1.4 compliant
- Full HD support: 1080p@60Hz@48b/pixels, 3D and 4Kx2K
- With LED indicators to show the power status
- ESD protection inside.
- Transfer Bidirectional Infrared control signal together with the HDMI signal
- Phoenix RS232 Port for firmware update or RS232 control signal transmission

3. Package Contents

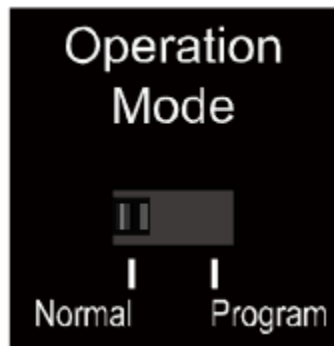
- (1) x Transmitter
- (1) x Receiver
- (1) x 12V DC Power Supply
- (2) x IR TX cables
- (2) x IR RX cables
- (2) x Phoenix Plugs for RS232 cable termination

4. Connection and Operation

- Connect an HDMI input source to the transmitter's HDMI output port
- Connect a CAT5e/6 cable from the ethernet port of the transmitter to the ethernet port of the receiver
- Connect an HD display to the receiver's HDMI input port
- Connect the IR TX cable in to the IR-Out port on the transmitter. Connect the IR RX cable in to the IR-In port on the receiver
- Phoenix RS232 port can be set for firmware update or RS232 control signal transmission (Default set for RS232)

5. Setting Instruction

- The switch is for bypassing RS232 signal or for firmware update



- "Program" for firmware update, and "Normal" for RS232 transmission

Update instruction:

- The user should receive a Firmware burn package, containing all software needed for burning and updating the Firmware on the EEPROM.
- Connect an RS232 cable from RS232 port of unit to PC.
- Power the unit.

- Extract the zipped file from the burn package to a directory (ex: C:\dir_name).
- Browse to the directory (ex: C:\dir_name\) and double click the batch file Update Source. bat (for TX) or Update Sink. bat (for RX).
- A short description of the link created between the PC and the board appears on the screen, followed by the burn progress percentage report.
- A second stage of verifying the content of the EEPROM follows, also with a progress percentage report.

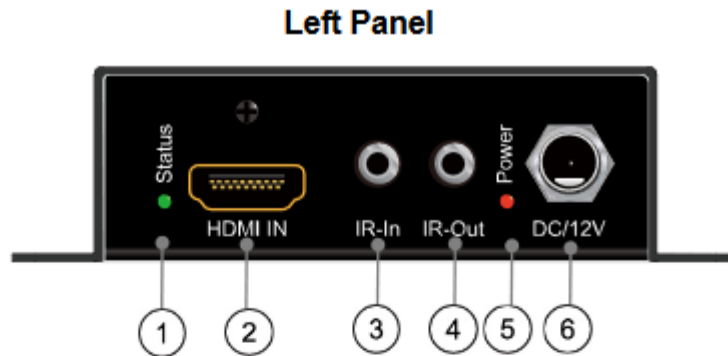
For RS232 control signal transmission, just connect two RS232 cables to both RS232 ports of TX and RX, they work like an RS232 extension cable.

6. Specifications

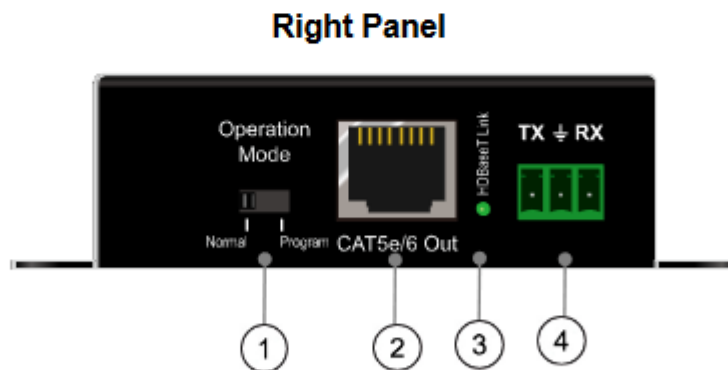
Operating Temperature	-5 °C ~ 35 °C -41 °F ~ 95 °F
Operating Humidity Range	5 to 90% RH (no condensation)
Input Video Signal	0.5 – 1.0 volts p-p
Input DDC Signal	5 volts p-p (TTL)
Video Format Support	4K / 1080P / 1080i / 720P / 576P / 480P / 576i / 480i
Video Output	HDMI 2.0 + HDCP 1.4 / 2.2
Audio Output	Supports DTS-HD, Dolby-HD
Maximum Transmission Distance	230ft. (1080P) 130ft. (4K)
Power Supply	12V / 2A
PoC (Power over cable)	Power from Transmitter to Receiver over single Cat5e/6 cable
Power Consumption	Transmitter: 2.5W Receiver: 5W
Dimensions (H x W x D)	105mm x 71mm x 25mm 4.13" x 2.80" x 0.98"
Weight	0.7kg / 1.54lbs. (Pair)

7. Panel Description

1. TX (Transmitter)



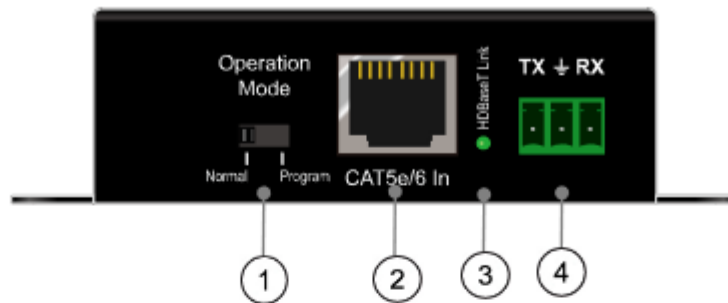
- ① Indicator of HDMI Input.
- ② HDMI input port.
- ③ Connect IR RX cable to IR-In port.
- ④ Connect IR TX cable to IR-Out port.
- ⑤ Indicator of power Input.
- ⑥ DC power input.



- ① The switch is for bypassing RS232 signal or for firmware updating.
- ② Cat5e/6 Out.
- ③ HDBaseT Link indicator.
- ④ RS232 Output.

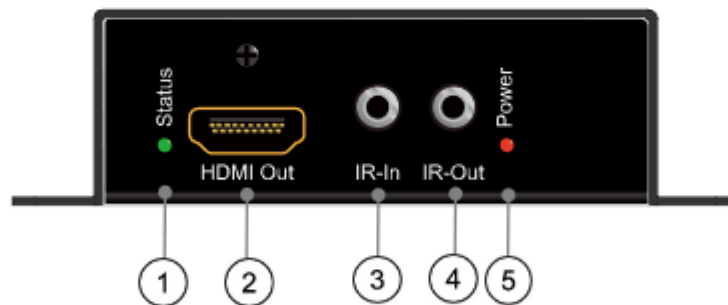
2. RX (Receiver)

Left Panel



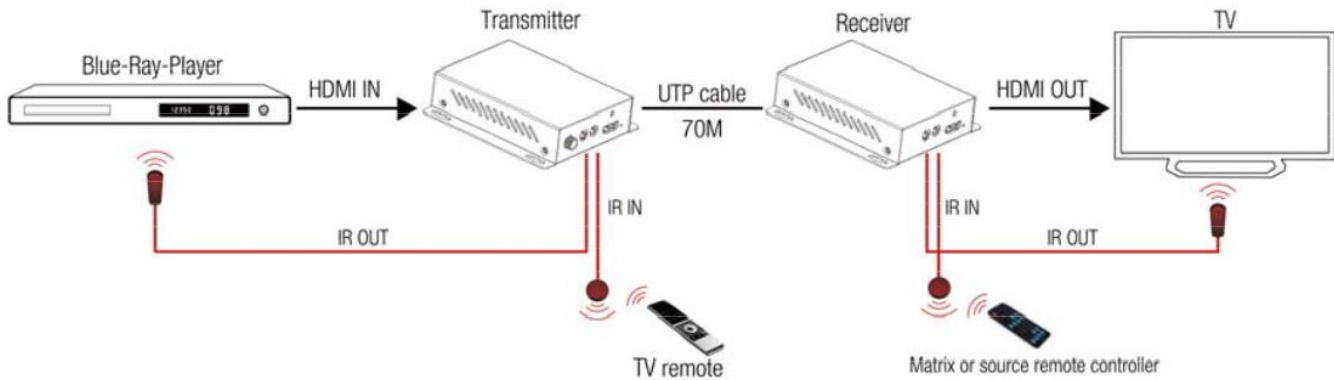
- ① The switch is for bypassing RS232 signal or for firmware updating.
- ② Cat5e/6 In.
- ③ HDBaseT Link indicator.
- ④ RS232 Input.

Right Panel



- ① Indicator of HDMI Output.
- ② HDMI output port.
- ③ Connect IR RX cable to IR-In port.
- ④ Connect IR TX cable to IR-Out port.
- ⑤ Indicator of power Input.

8. Typical Application



9. Maintenance

Clean this unit with a soft, dry cloth. Never use alcohol, paint thinner, or benzene to clean.

10. Warranty

If your product does not work properly because of a defect in materials or workmanship, our company (referred to as “the warrantor”) will, for the length of the period indicated as below, “Parts and Labor (5) Years”, which starts with the date of original purchase (“Limited Warranty period”), at its option either (a) repair your product with new or refurbished parts, or (b) replace it with a new or a refurbished product. The decision to repair or replace will be made by the warrantor.

During the “Labor” limited warranty period, there will be no charge for labor. During the “Parts” warranty period, there will be no charge for parts. You must mail-in your product during the warranty period. This Limited Warranty is extended only to the original purchaser and only covers products purchased as new. A purchase receipt or other proof of original purchase date is required for Limited Warranty service.

11. Mail-In Service

When shipping the unit, carefully pack and send it prepaid, adequately insured, and preferably in the original carton. Include a letter detailing the complaint and provide a day time phone and/or email address where you can be reached.

12. Limited Warranty Limits and Exclusions

This Limited Warranty ONLY COVERS failures due to defects in material or workmanship, and DOES

NOT COVER normal wear and tear or cosmetic damage. The Limited Warranty ALSO DOES NOT COVER damages which occurred in shipment, or failures which are caused by products not supplied by warrantor, or failures which result from accidents, misuse, abuse, neglect, mishandling, misapplication, alteration, faulty installation, set-up adjustments, mis-adjustment of consumer controls, improper maintenance, power line surge, lightning damage, modification, or service by anyone other than a Factory Service center or other Authorized Servicer, or damage that is attributed to acts of God.

THERE ARE NO EXPRESS WARRANTIES EXCEPT AS LISTED UNDER "LIMITED WARRANTY COVERAGE". THE WARRANTOR IS NOT LIABLE FOR INCIDENTAL OR CONSEQUENTIAL DAMAGES RESULTING FROM THE USE OF THIS PRODUCT, OR ARISING OUT OF ANY BREACH OF THIS WARRANTY. (As examples, this excludes damages for lost time, cost of having someone remove or re-install an installed unit if applicable, travel to and from the service, loss of or damage to media or images, data or other recorded content. The items listed are not exclusive, but are for illustration only.) PARTS AND SERVICE, WHICH ARE NOT COVERED BY THIS LIMITED WARRANTY, ARE YOUR RESPONSIBILITY.



WWW.ZENTY.COM
9807 EMILY LANE
STAFFORD, TX 77477

(844) 200-1945
SUPPORT@ZENTY.COM
SALES@ZENTY.COM