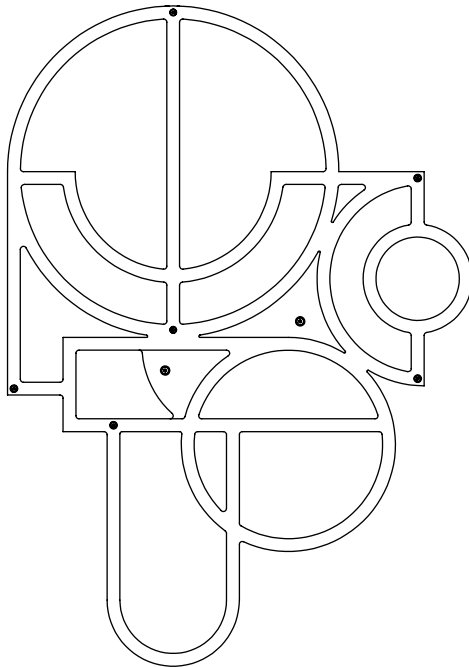
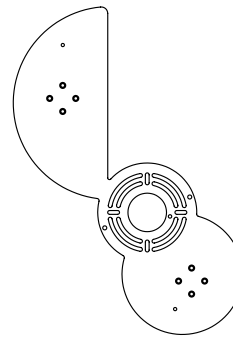


## CONTENTS

### Moonrise Sconce 02 Body



### Crossbar/wallplate



#8-32 Crossbar  
Screws (2)



#4-40 5/16in  
Screws (2)



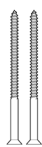
Ground Screw



Wago Connectors (3)



(x2) Wood  
screw  
On 240V fixtures only



(x2) Long 8-32  
screw  
On 240V fixtures only



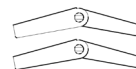
(x2) Metal  
screw  
On 240V fixtures only



Terminal Ring and Ground wire



(x2) Toggle anchor  
On 240V fixtures only



## SAFETY INFORMATION

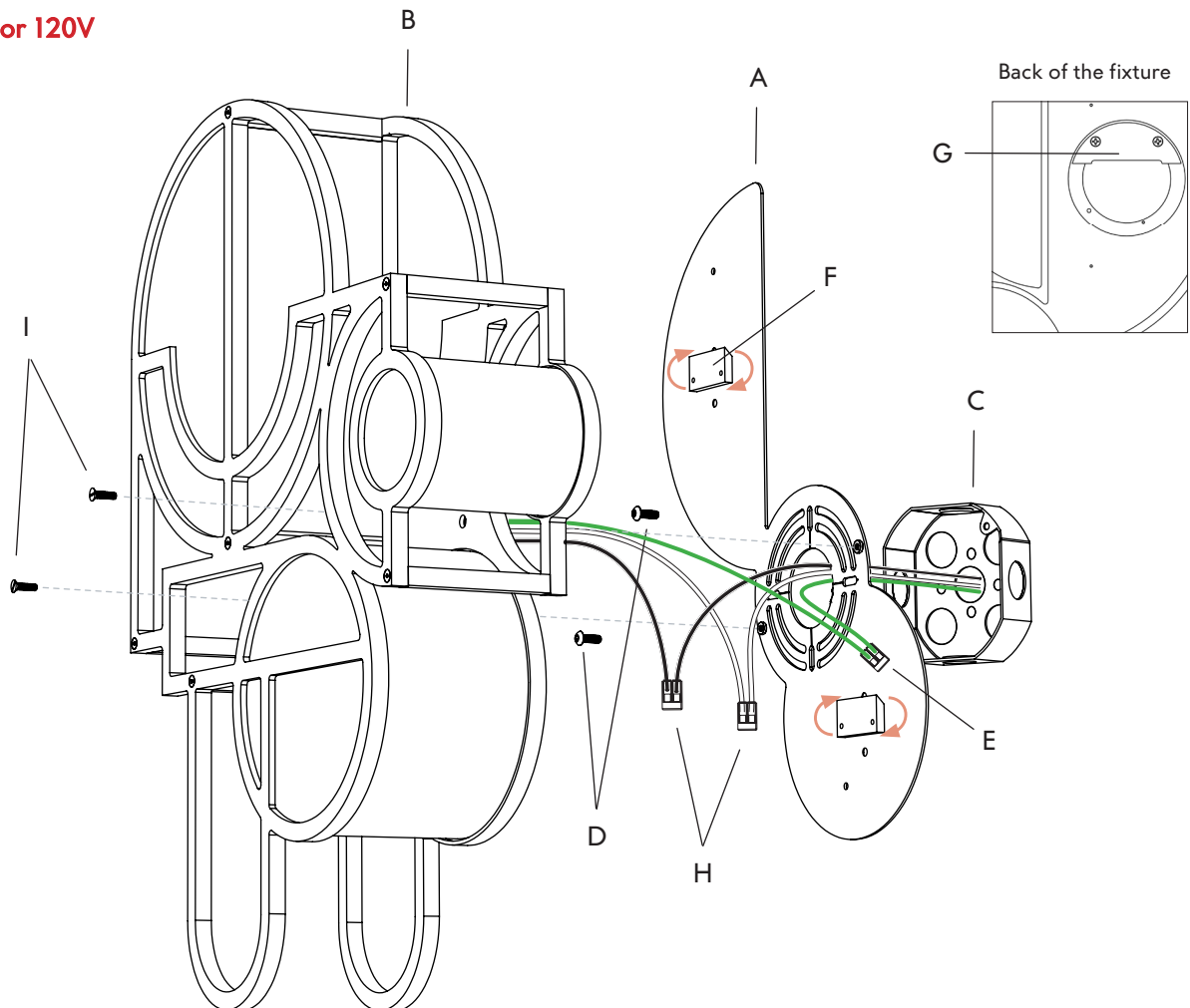
Only suitable for direct mounting on non-combustible surfaces.  
Under no circumstances can Moonrise Sconce be mounted on normally flammable surfaces.  
Suitable for dry and damp locations, indoor use only.  
Maximum ambient temperature: 25°C

## Moonrise Sconce 02 | INSTALLATION

*Note: Please contact a licensed electrician for installation. Ensure power is off during installation.*

01. Detach the crossbar/wallplate (A) from the back of the fixture (B) and secure onto the junction box (C) using provided #8-32 screws (D).
02. Ground the fixture (B) using the provided wago connector (E) with a terminal ring and green ground screw. Make sure to pull out the lead wires through the center hole in crossbar.
03. Rotate the cleats (F) and the mating cleats (G) (back of the fixture) to the desired position for vertical or horizontal fixture mounting.
04. Carefully hold fixture (B) to crossbar/wallplate (A) and make the lead wire connections with the provided wago connectors (H). Push all wires back through center hole of crossbar/wallplate (A) into junction box (C).
05. Fit the light fixture (B) back over the crossbar/wallplate (A) using the cleats and secure it in place with the two #4-40 5/16in provided screws (I).

**For 120V**



## Moonrise Sconce 02 | INSTALLATION

*Note: Please contact a licensed electrician for installation. Ensure power is off during installation.*

01. Detach the crossbar/wallplate (A) from the back of the fixture (B) and secure onto the wall (C) using provided screws (D) and toggle anchors (E).
02. Ground the fixture (B) using the provided wago connector (F) with a terminal ring and green ground screw. Make sure to pull out the lead wires through the center hole in crossbar.
03. Rotate the cleats (G) and the mating cleats (H) (back of the fixture) to the desired position for vertical or horizontal fixture mounting.
04. Carefully hold fixture (B) to crossbar/wallplate (A) and make the lead wire connections with the provided wago connectors (I). Push all wires back through center hole of crossbar/wallplate (A) into junction box (C).
05. Fit the light fixture (B) back over the crossbar/wallplate (A) using the cleats and secure it in place with the two #4-40 5/16in provided screws (J).

**For 240V**

