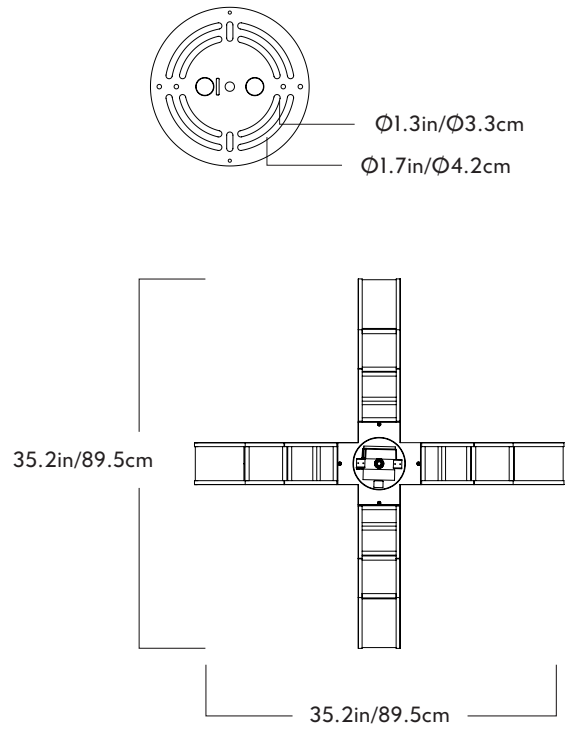


Mounting Dimensions



Moonrise

Series
Moonrise

Product
Chandelier 02

Dimensions
L 35.1in/89.3cm x W 35.1in/89.3cm x
H 25.3in/64.3cm

Weight
30lb/13.6kg

Materials
Acrylic, Steel, Aluminum

Chandelier 02

Finishes/Colors
Brushed Brass, Anodized Black

Suspension
0.5-inch thick/35-inch long steel stem
in matching metal finish.
35-inch length included with lamp.
72-inch length available
for additional cost. Stem length can
be adjusted on site.

Canopy
5-inch round in matching metal finish

Ceiling Slope
0° mounting slope.
Up to 90° variable hang-straight
available upon request.

Certifications
UL, cUL (120V)
CE (240V)

120/277V Illumination

Integrated LED
Wattage: 50 Watts
Lumens: 3,750 Lumens est.
Color Temperature: 2700K, CRI 90+
LED Lifetime: 50,000 Hours est.
Dimming: 120V - TRIAC, ELV, 0-10V
277V - 0-10V only

240V Illumination

Integrated LED
Wattage: 50 Watts
Lumens: 3,750 Lumens est.
Color Temperature: 2700K, CRI 90+
LED Lifetime: 50,000 Hours est.
Dimming: ELV or 0-10V

Driver Location

Driver located in canopy

Fixture Mounting

Designed to be mounted on standard
4in. Electrical Box.
Two #8-32 screws included.
Additional mounting hardware provided
for 240V versions.