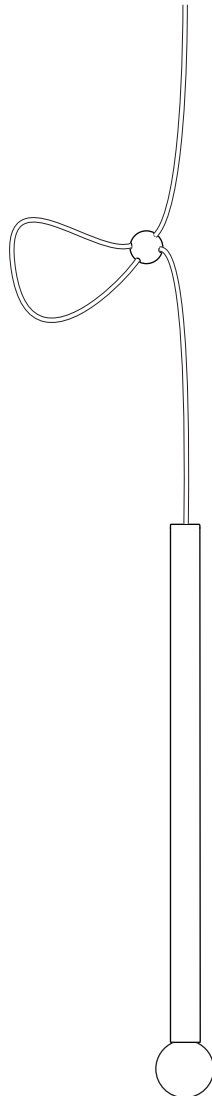


CONTENTS

Strike Pendant 1



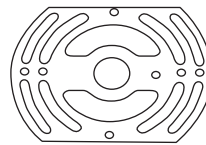
8-32 Crossbar
Screws (x2)



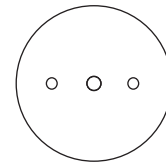
Wago Connector (x2)



Crossbar



Canopy



Canopy thumb nuts



(x2) Long 8-32 screw
On 240V fixtures only



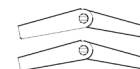
(x2) Wood screw
On 240V fixtures only



(x2) Metal screw
On 240V fixtures only



(x2) Toggle anchor
On 240V fixtures only



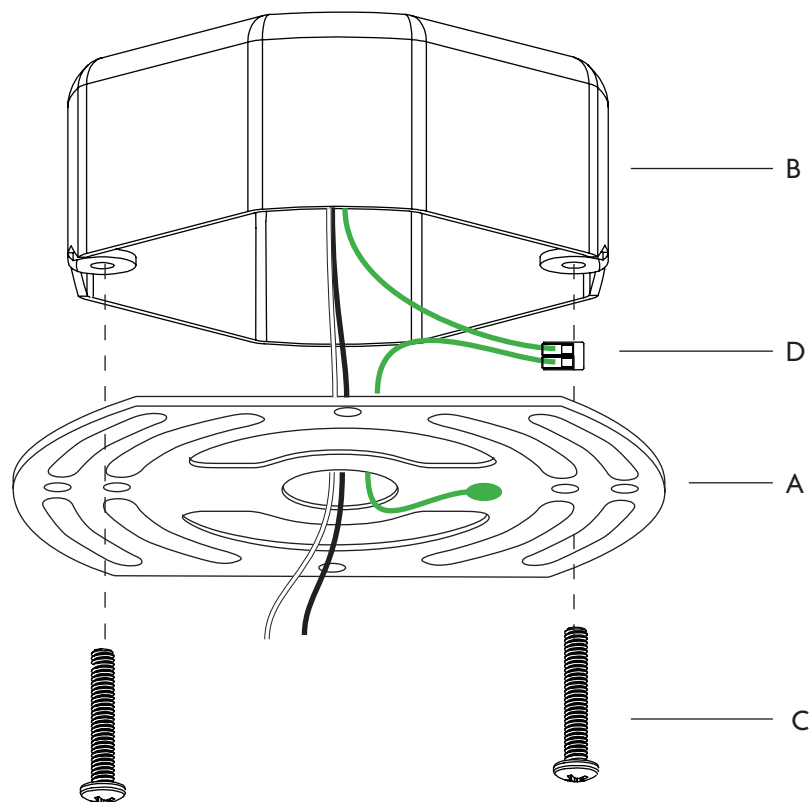
SAFETY INFORMATION

Only one light bulb per socket.
Only suitable for direct mounting on non-combustible surfaces.
Under no circumstances can Strike Pendant 1 be mounted on normally flammable surfaces.
Suitable for dry, indoor use only.
Maximum ambient temperatures: 25° C

CEILING INSTALLATION | STRIKE PENDANT 1

Note: Please contact a licensed electrician.

1. Attach the crossbar (A) to the J-box (B) using two screws (C). Be sure to use the long rounded space on the crossbar for the j-bpx screws.
2. Connect the ground wire to crossbar using the provided 2 port wago (D). Be sure to pull out the lead wires.

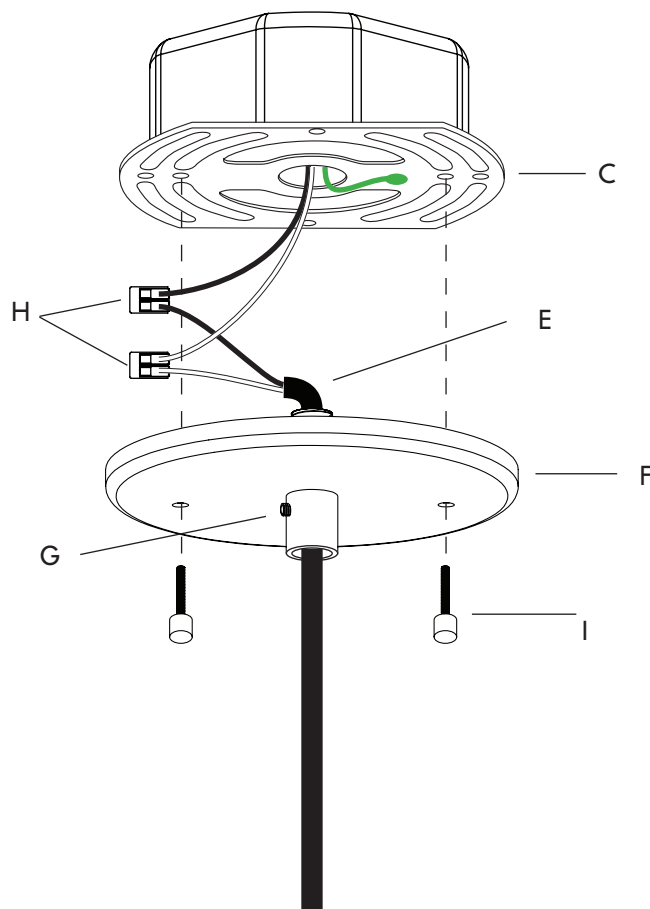


CEILING INSTALLATION | STRIKE PENDANT 1

Note: Please contact a licensed electrician.

3. feed the cord (E) through the canopy (F), then cut the cord to desired length, and secure tightly with a set screw (G).
4. If the cord was cut, strip the cord to reveal the lead wires and connect them to the J-box wires with provided 2 port wagos (H).
5. Tuck all wires inside the J-box, and secure the canopy (F) to the crossbar (C) with two thumb screws (I).

NOTE: Double check the desired length of the cord before cutting.



HEIGHT ADJUSTMENT | STRIKE PENDANT 1

Note: Please contact a licensed electrician.

1. Adjust the height and cord loop by pulling/pushing the cord through the ball adjuster (A).

