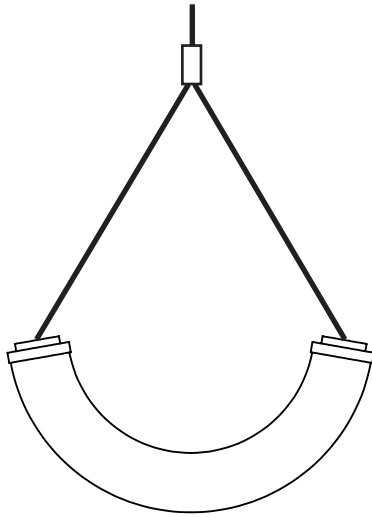
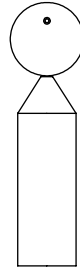


CONTENTS

Shape Up Arc Pendant with
Cord Coupler



Pulley and Counterweight



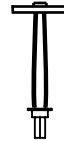
Pulley



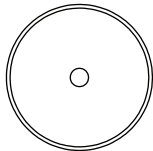
8-32 Crossbar Screws (2)



Toggle Anchor



Canopy with
Bushing



Strain Relief



Crossbar 1/8 IPS



1/4-20 Anchor Screw



SAFETY INFORMATION

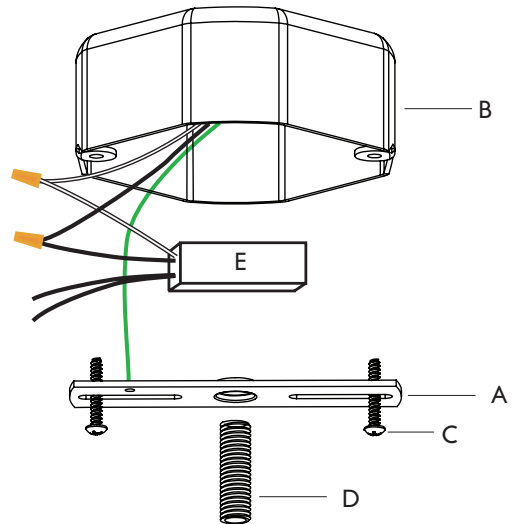
Only one light bulb per socket.
 Only suitable for direct mounting on non-combustible surfaces.
 Under no circumstances can Shape Up fixtures be mounted on normally flammable surfaces.
 Suitable for dry, indoor use only.
 Maximum ambient temperatures: 25° C

CEILING INSTALLATION | SHAPE UP PENDANT

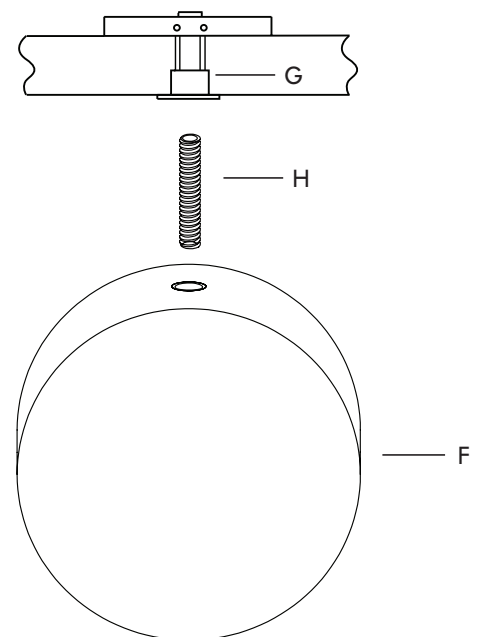
Note: Please contact a licensed electrician.

1. Prepare junction box for installation. Secure crossbar (A) to junction box (B) using provided 8-32 screws (C). Screw provided 1/4 IPS nipple (D) into center of crossbar.

2. Connect wires from the provided voltage transformer (E) to the lead wires in the ceiling. Store in junction box until step 5.

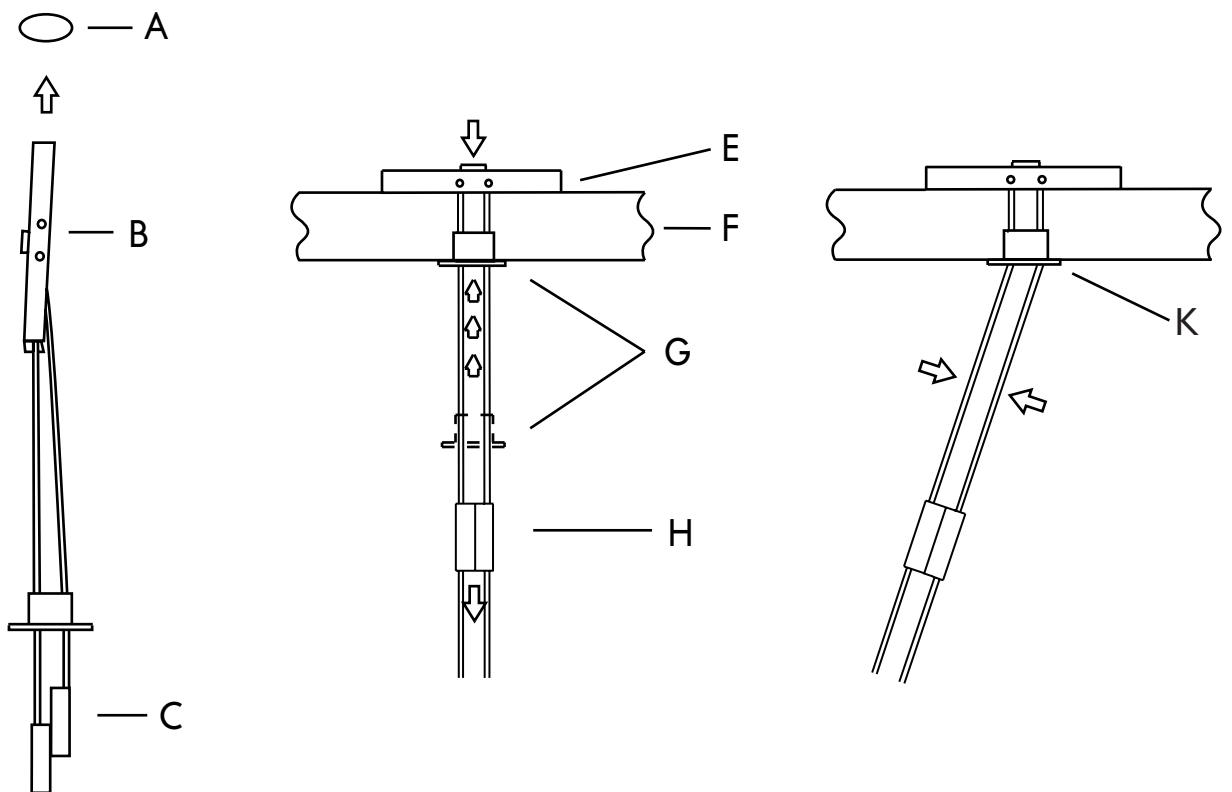


3. Mount Pulley (F) to ceiling using provided toggle anchor (G) and 1/4-20 bolt (H). Place desired distance (24 inches is recommended) from junction box in desired direction.



CEILING INSTALLATION | SHAPE UP PENDANT

1. First install an anchor to accept the 1/4 - 20 hanging bolt on the ceiling mount. We have included a toggle anchor for drywall, if your ceiling is not drywall please use the appropriate 1/4 - 20 threaded anchor for your ceiling material
2. To install the toggle anchor, first drill a 1/2" hole to pass the metal part of the anchor (B) up into the ceiling (A)
3. Pass metal anchor (B) through hole (A) and slide the ends of the zip ties (C) until the metal anchor pivots horizontally (E) seating itself onto the ceiling (F)
4. Push up on the anchor lock (G) while applying downward pressure to the zip ties at point (H) be careful not to break off the zip ties while pushing the anchor lock upward toward the ceiling
5. Once the anchor lock (K) is tightly seated into the ceiling, move the plastic zip ties back and forth until they snap off at the level of the ceiling.

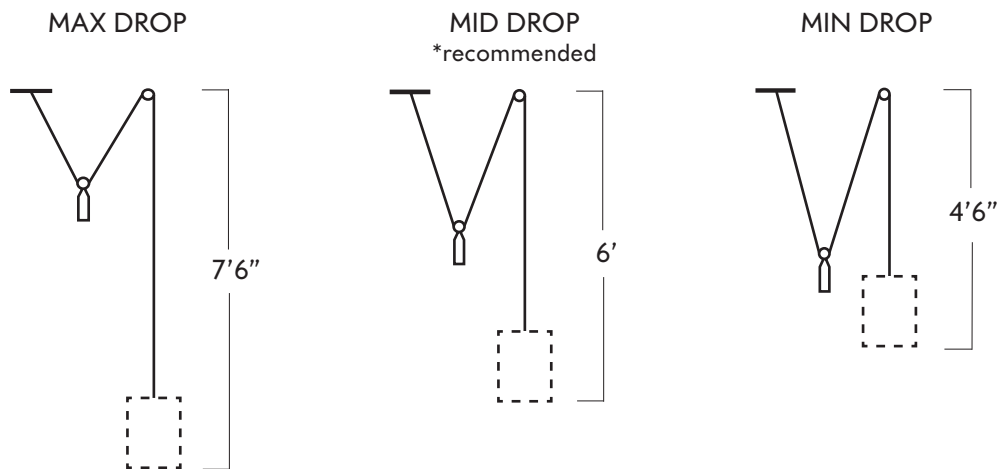


CEILING INSTALLATION | SHAPE UP PENDANT

4. Measure the desired drop length of your fixture from the ceiling. Use the chart below to determine the length of fabric cord necessary. Counterweights can be adjusted to a high and low position (see example below) so it is best to measure based on the “mid drop” length. Confirm your cord length by holding fixture in its hanging position before cutting cord.

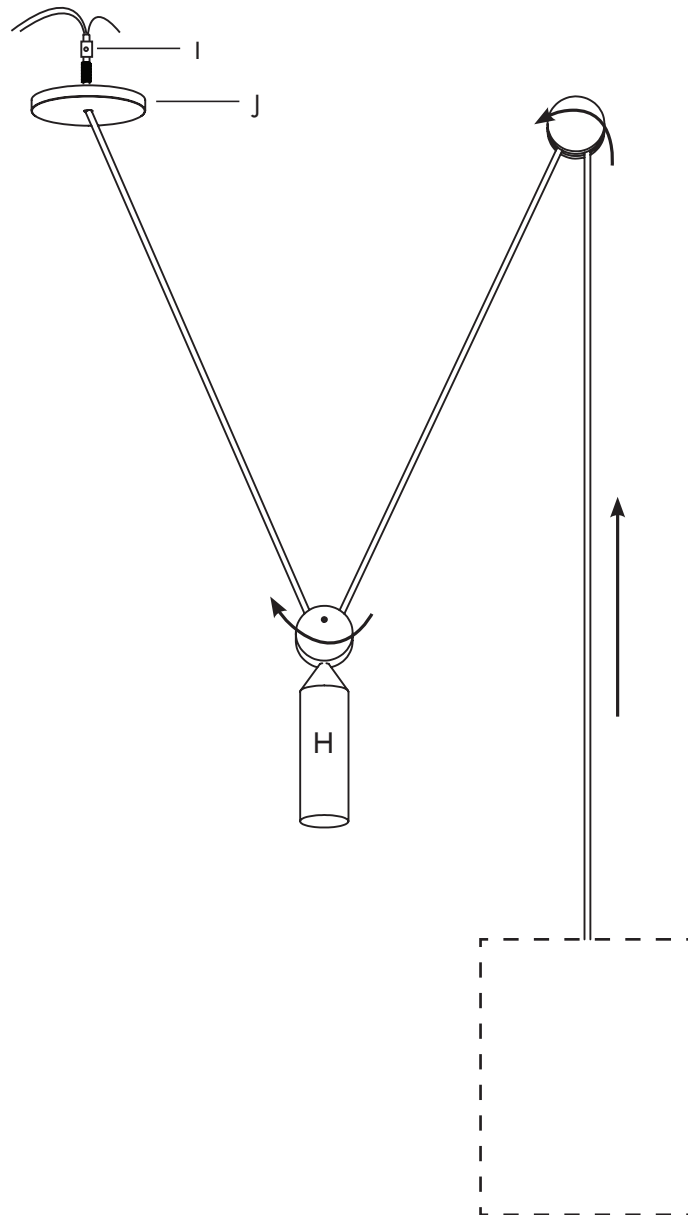
MID DROP LENGTH *recommended	DROP LENGTH RANGE	CORD LENGTH
7'	5'6" - 9'	12'
6'6"	5' - 8'	11'
6'	4'6" - 7'6"	10'
5'6"	4'3" - 6'9"	9'
5'	4' - 6'	8'
4'6"	3'9" - 5'3"	7'
4'	3'6" - 4'6"	6'

EXAMPLE | DROP LENGTHS USING 10' CORD



CEILING INSTALLATION | SHAPE UP PENDANT

5. Feed cord from fixture through ceiling mounted pulley, then through the pulley and counterweight assembly (H), and lastly through the canopy.
6. While supporting the weight of fixture and counterweight, raise end of cord to junction box and through 1/4 IPS nipple. Tighten strain relief (I) around the cord above the nipple, leaving about 5 inches of wire to work with. Make lead wire connections with wire nuts and fit all excess wire into junction box.
7. Raise canopy (J) to ceiling and tighten around 1/4 IPS nipple until flush with ceiling.
8. Adjust counterweight and fixture to desired lengths.



CHANGING THE BULBS

Note: Make sure to power off fixture and allow bulbs and lamp to cool.

CONE AND HEMISPHERE:

Carefully unscrew white bulb in counterclockwise direction and remove from fixture. Pull out existing LED and replace with a new one by pushing two pins into socket. Screw white bulb back onto socket.

CYLINDER:

While holding the glass cylinder shade, carefully unscrew white bulb in counterclockwise direction. This will remove both shade and white bulb. Pull out existing LED and replace with a new one by pushing two pins into socket. Hold shade in position and screw white bulb back onto socket.

ARC:

Support weight of glass arc shade and unscrew the small black cap from each end in counterclockwise direction. This will remove the glass shade from the assembly. Pull out existing LED and replace with a new one by pushing two pins into socket. Put glass arc shade back into place by screwing caps back onto end caps.

GLOBE:

Support weight of glass globe while unscrewing black cap from top of assembly. Slide black cap and brass tube up the cord and loosen the nut holding the globe cap to globe. Once loose, slide globe off of internal fitter and cap and set aside. unscrew white bulb in counterclockwise direction and remove from fixture. Pull out existing LED and replace with a new one by pushing two pins into socket. Screw white bulb back onto socket and re-fit the assembly.