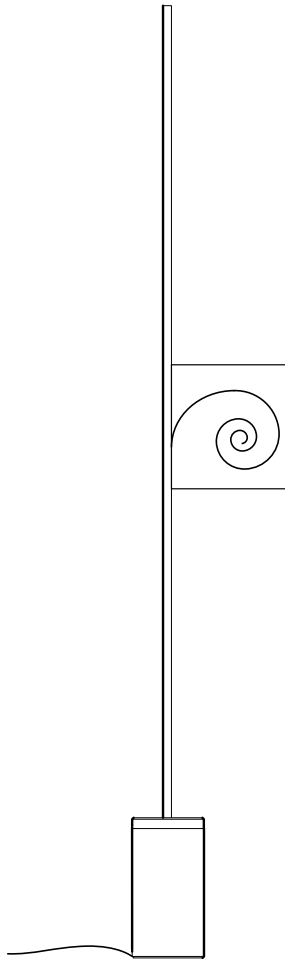


## CONTENTS

18DEC2019

Pole 04 Base  
 (x1 powered & x1 non-powered)



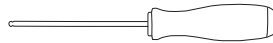
Pole Extrusion (see table) - One Labeled "Small Mount"

Pole Fitter (see table)



# of Sections	# of Extrusions	# of Fitters
3	3	2
4	4	3
5	5	4
6	6	5
7	7	6
8	8	7

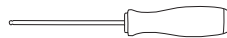
1x 7/64" Hex Driver



2x Flat Head Screw



1x 5/64" Hex Driver



2x Wood Screw



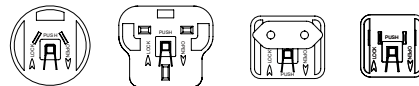
1x Seam Roller



2x Toggle Anchors



Power Adapter Plugs (AU, UK, EU, US)



1x Small Mount



## SAFETY INFORMATION

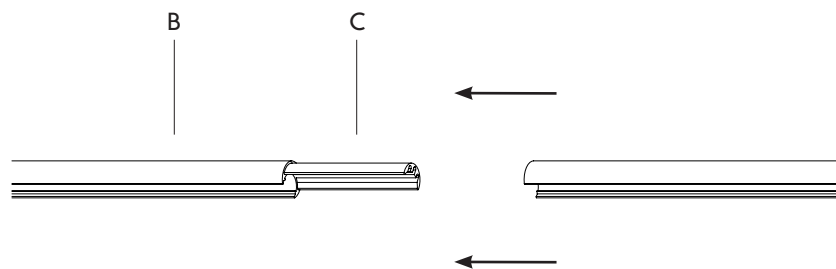
Only suitable for direct mounting on non-combustible surfaces.  
 Under no circumstances can Pole fixtures be mounted on normally flammable surfaces.  
 Suitable for dry, indoor use only.  
 Maximum ambient temperatures: 25° C

*Note: Please contact a licensed electrician for installation.*

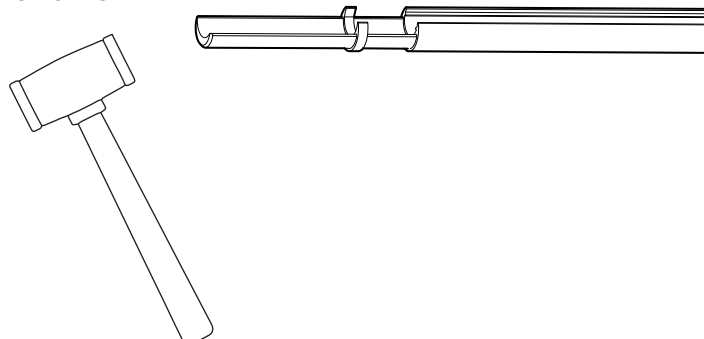
1. Lay the base with the extrusion on its side. Lay all the extrusions end to end between the bases. Make sure the extrusion marked "Small Mount" is last and that the drilled hole is at the very end.

*Be sure to lift up from the heavy metal base (A) and not from the thin extrusion (B). These bases are appx. 35lbs/15kg each so make sure to lift carefully.*

2. Connect the extrusions together using the provided fitters (C). A rubber mallet may be cautiously used to force the fitter in the extrusion.

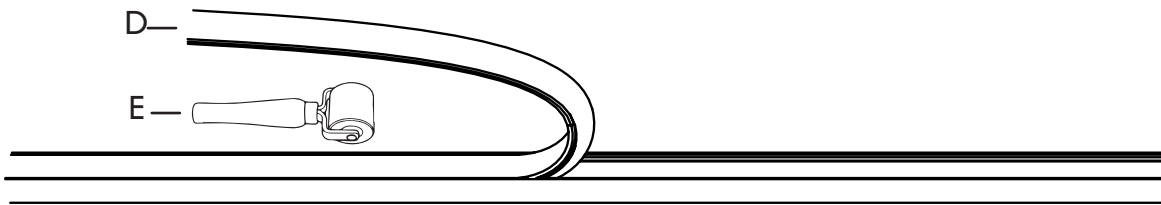


⚠ USE RUBBER Mallet ONLY ⚠  
PROCEED WITH CAUTION



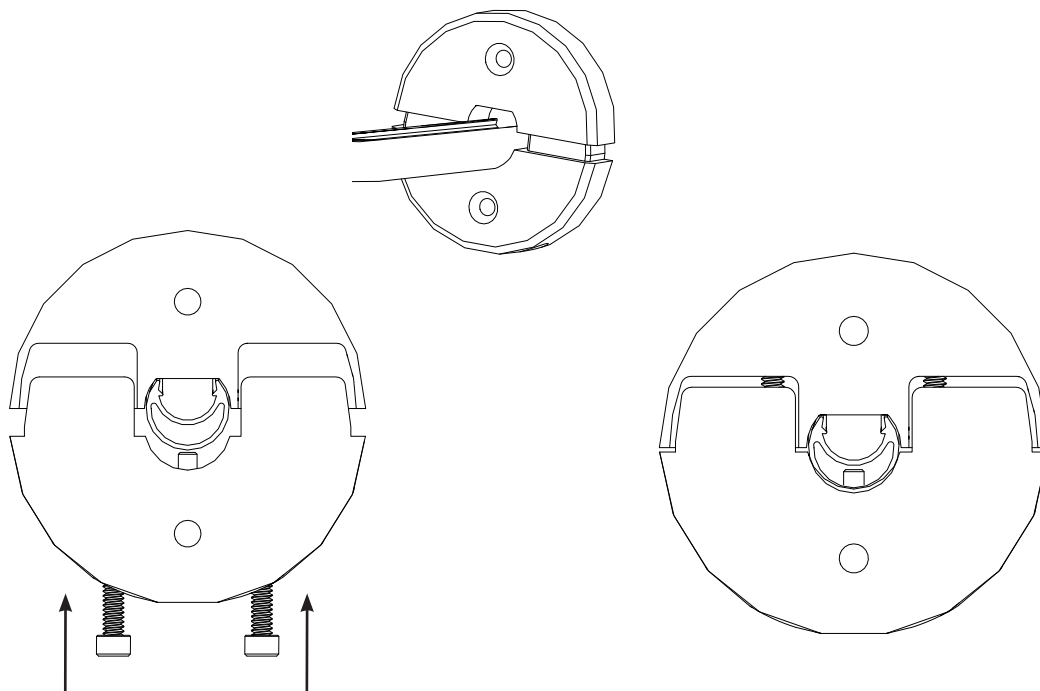
*Note: Please contact a licensed electrician for installation.*

3. Plug in the fixture to test the LED tape (D) (See Power Adapter Installation section). While the tape is still on and starting from the powered base end, gently feed the tape in the extrusion using the roller (E). To achieve best result, roll one side of the tape first, then proceed with the other. Leave the plug in during the entire process, this will help to prevent any visible waves and irregularities during the tape feeding step. Unplug the fixture once complete.



*Note: Please contact a licensed electrician for installation.*

4. Slide the Small mount onto the end of the extrusion in the orientation shown below. Once the bump on the small mount is lined up with the drilled hole in the extrusion, tighten the clamp using the hex driver provided.

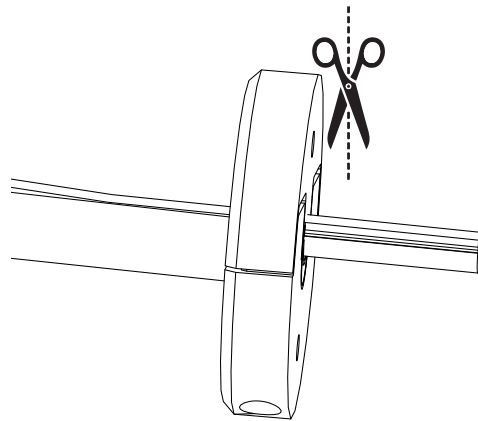


## POLE F04 | INSTALLATION

18DEC2019

*Note: Please contact a licensed electrician for installation.*

5. With a pair of sharp scissors, cut the extra LED tape so it is flush with the metal extrusion. After cutting, a small amount of light may be lost at the end tip.



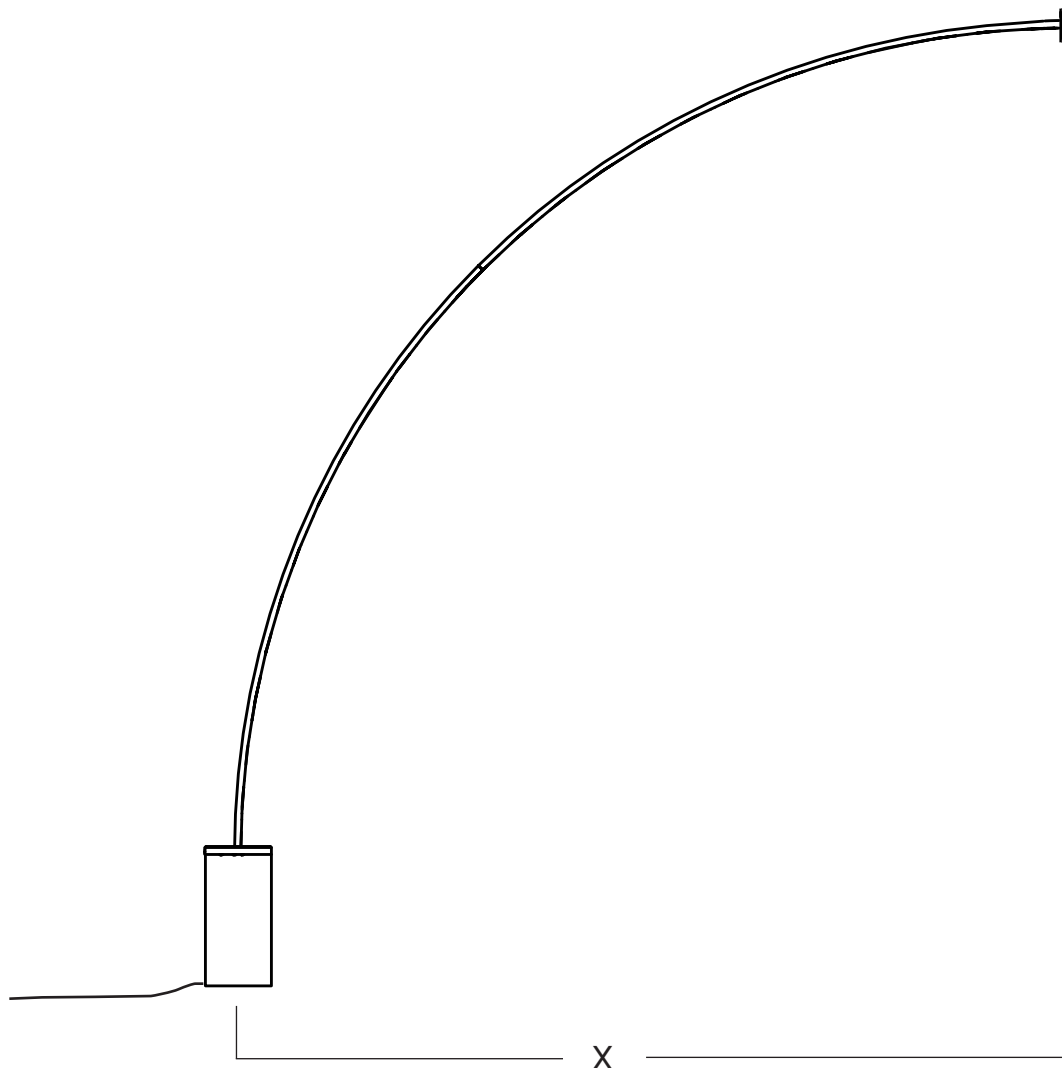
*Note: Please contact a licensed electrician for installation.*

*Note: Ensure power is off during installation.*

6. This step requires two people. Carefully lift the base and bring the wall mount to the wall. Use the spec sheet to determine the distance between base and the wall as well as the height of the wall mount. Once in preferred location, mark the holes for the wall mount.

*/!\ Do not vary from this recommended spacing /!\*

11. Once the holes are marked. Use the provided anchors and screws to mount the small wall mount. Once in place, give a gentle tug on the extrusion to ensure it's secure.



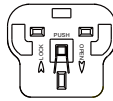
1. Find the suitable driver adapter for your country's outlet type.



*North America*



*Europe*



*United Kingdom*



*Australia*

2. Slide driver adapter (A) into USB driver (B) until it clicks into place.

3. To remove a driver adapter, press on the flexible tab on the adapter (A) and slide it out of the USB driver (B).

