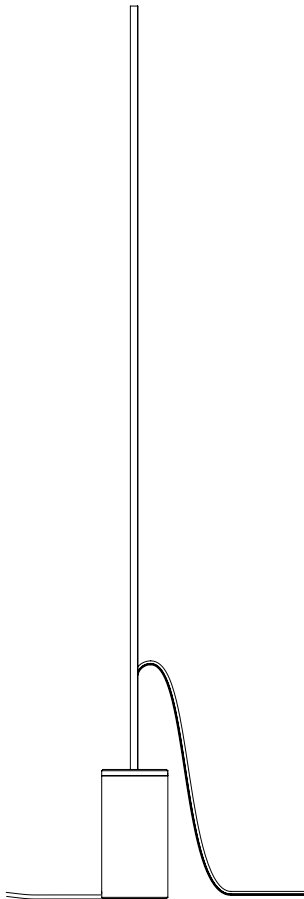


CONTENTS

Pole 01



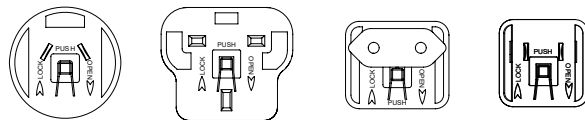
Pole Extrusion with Cap



Pole Fitter



Power Adapter Plugs (AU, UK, EU, US)



SAFETY INFORMATION

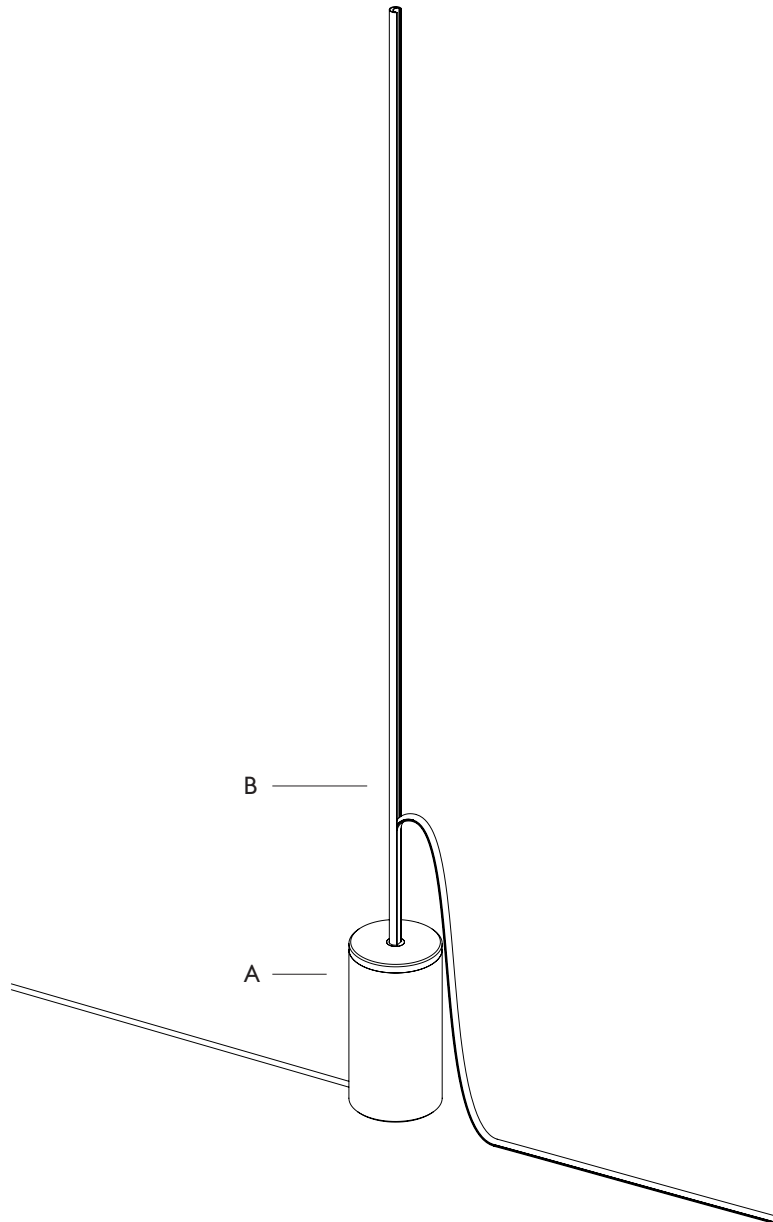
Only suitable for direct mounting on non-combustible surfaces.
Under no circumstances can Pole fixtures be mounted on normally flammable surfaces.
Suitable for dry, indoor use only.
Maximum ambient temperatures: 25° C

POLE 01 | INSTALLATION

Note: Please contact a licensed electrician for installation.

Note: Ensure power is off during installation.

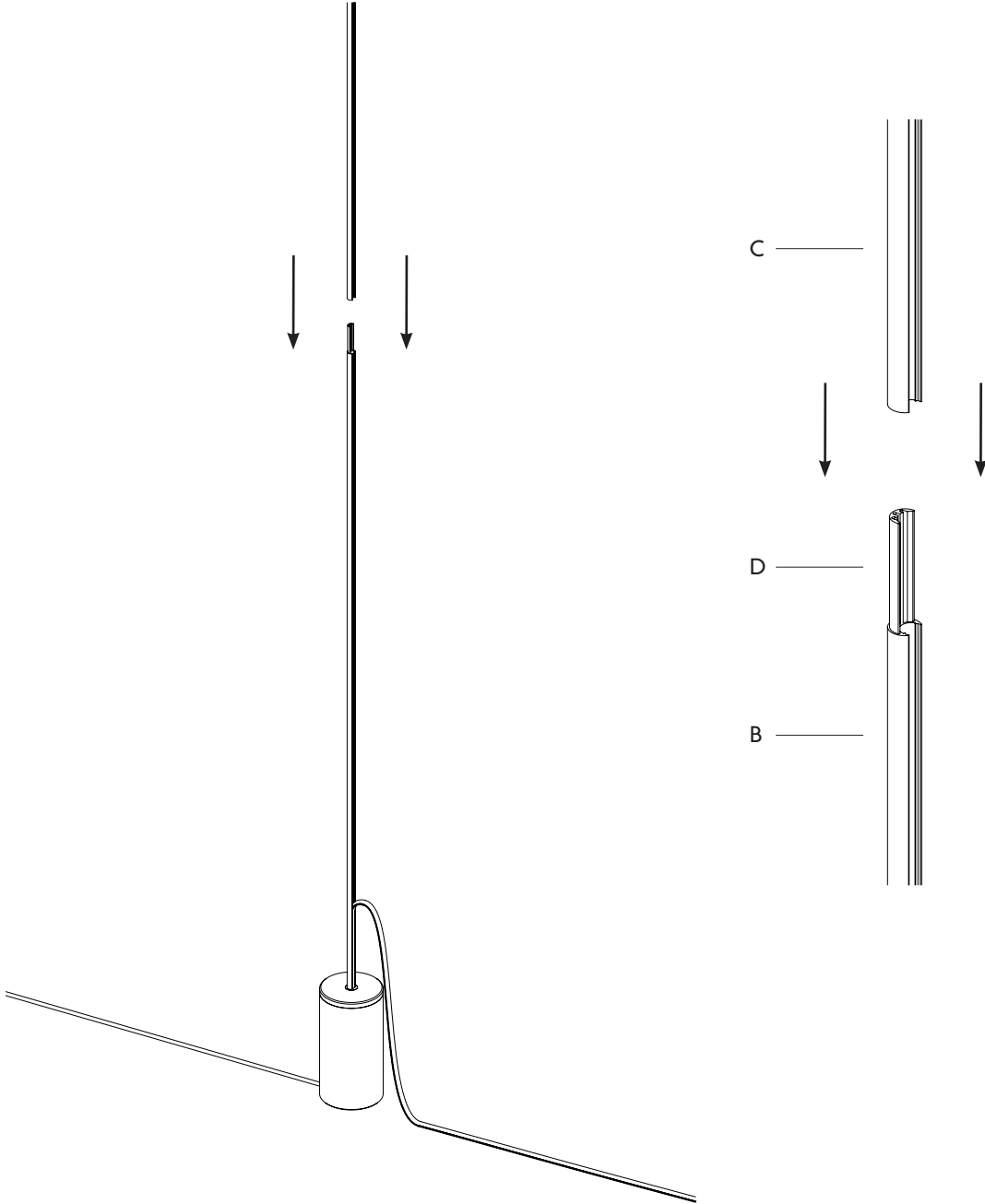
1. Pick up the Pole base (A) and place it in the location you'd like. Be sure to pick it up from the heavy metal base (A) and not from the thin extrusion (B). The base is appx. 25lbs so make sure to lift carefully.



POLE 01 | INSTALLATION

Note: Please contact a licensed electrician for installation.
Note: Ensure power is off during installation.

2. Slide the fitter (D) into the first extrusion (B) and then slide the second extrusion (C) down over the fitter.



POLE 01 | INSTALLATION

Note: Please contact a licensed electrician for installation.

Note: Ensure power is off during installation.

3. Press gently on the silicone extrusion (E) so that it snaps into the track of the metal extrusion (B). Guide it into place, moving from bottom to top. Plug fixture in when finished.

