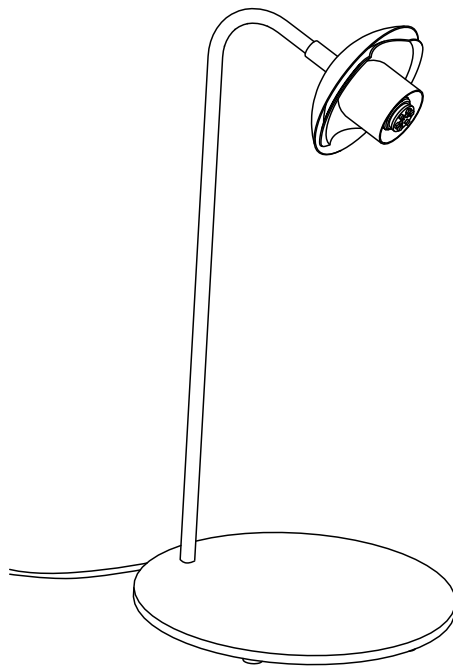


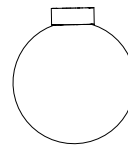
CONTENTS

Updated 17SEPT2019

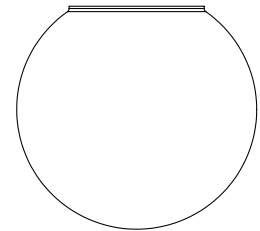
Modo Desk Lamp



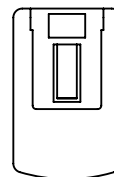
Diffuser



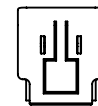
Globe



USB Driver



(x5) Driver Adapters



SAFETY INFORMATION

Only suitable for direct mounting on non-combustible surfaces.

Under no circumstances can Modo Chandeliers be mounted on normally flammable surfaces.

Suitable for dry, indoor use only.

Maximum ambient temperatures: 25° C

If the external flexible cable or cord of this luminaire is damaged, it shall be exclusively replaced by Roll & Hill or Roll & Hill's service agent or a similarly qualified person in order to avoid hazard.

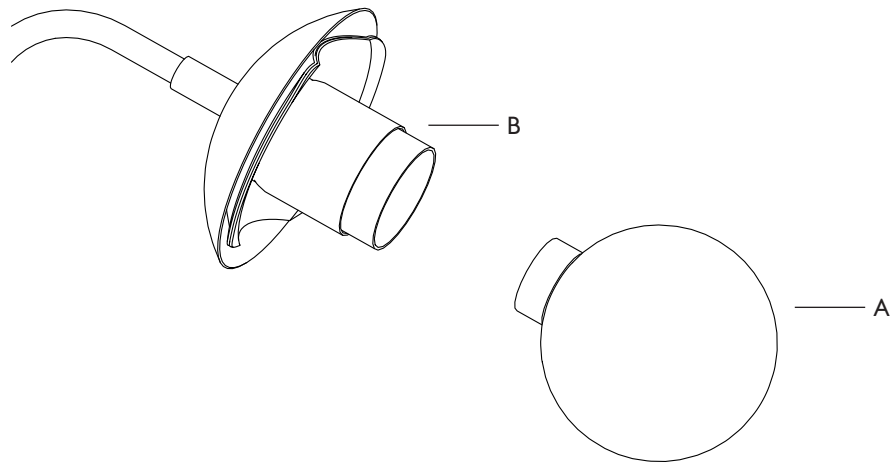
The light source contained in this luminaire shall only be replaced by the manufacturer or his service agent or a similar qualified person.

INSTALLATION | ATTACHING MODO GLOBES

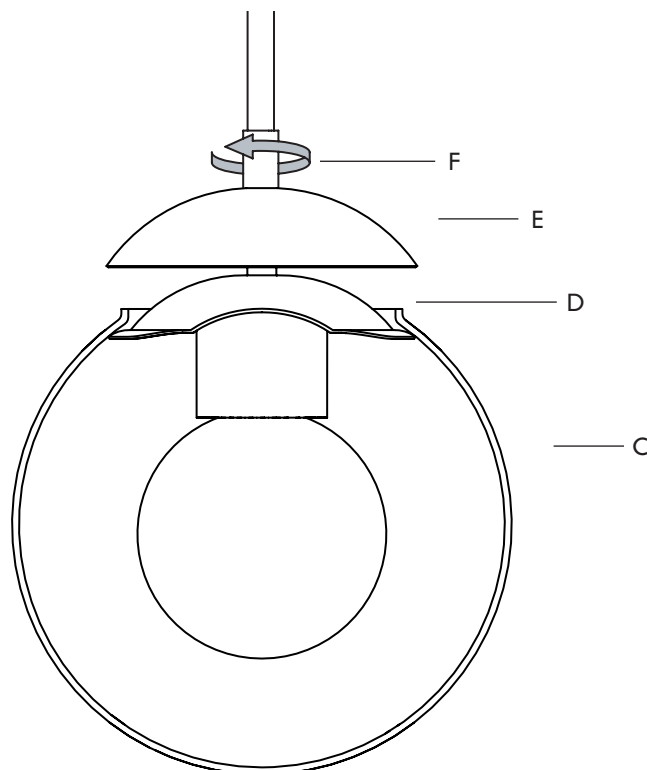
Updated 17SEPT2019

Note: Make sure to power off fixture before servicing.

1. Gently thread the diffuser (A) onto the fixture (B).



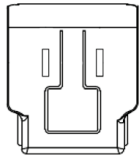
2. Sandwich the glass globe (C) around the socket fitter (D) and cap (E). Gently tighten the sleeve (F) to hold the globe in place.



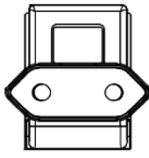
INSTALLATION | POWER & DIMMING

Updated 17SEPT2019

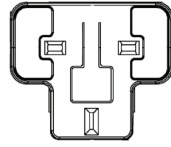
1. Find the suitable driver adapter for your country's outlet type.



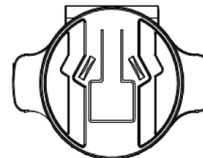
North America



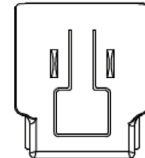
Europe



United Kingdom



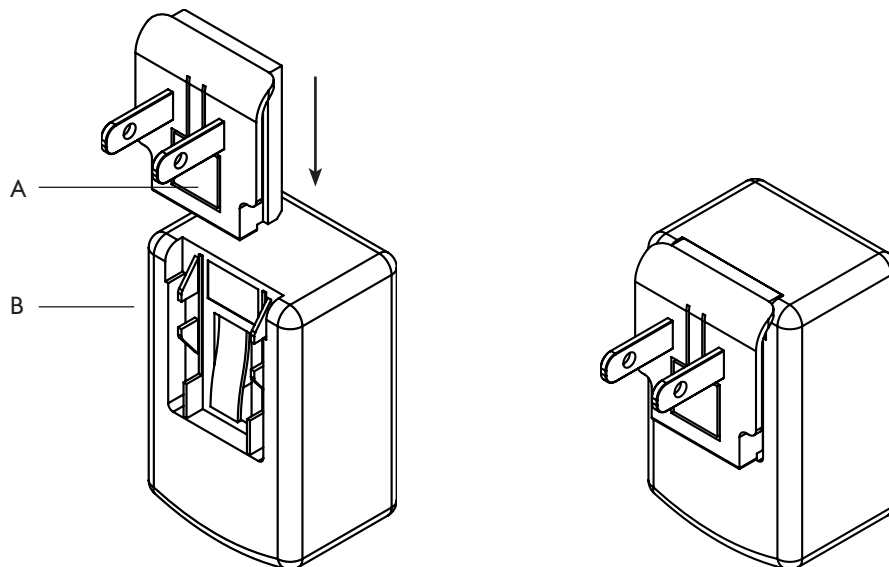
Australia



China

2. Slide driver adapter (A) into USB driver (B) until it clicks into place.

3. To remove a driver adapter, press on the flexible tab on the adapter (A) and slide it out of the USB driver (B).



4. Rotate the dimmer knob (C) clockwise to make the lamp brighter. Rotate the dimmer knob counterclockwise to make the light dimmer and to turn it off.

