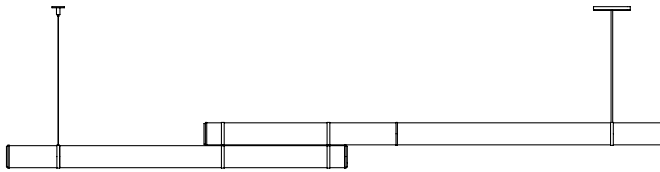


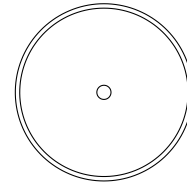
## CONTENTS

---

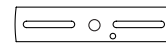
Mini Endless Double 89"



Canopy and Bushing



Crossbar 1/8"



C-Shaped Strain Relief



8-32 Crossbar Screws (2)



1/8 IPS Nipple



Cable Gripper



Drywall Anchors (2)



#10 Wood Screws (2)



## SAFETY INFORMATION

---

Only suitable for direct mounting on non-combustible surfaces.  
 Under no circumstances can Mini Endless Fixtures be mounted on normally flammable surfaces.  
 Suitable for dry, indoor use only.  
 Maximum ambient temperatures: 25° C

## CEILING INSTALLATION | MINI ENDLESS DOUBLE 89"

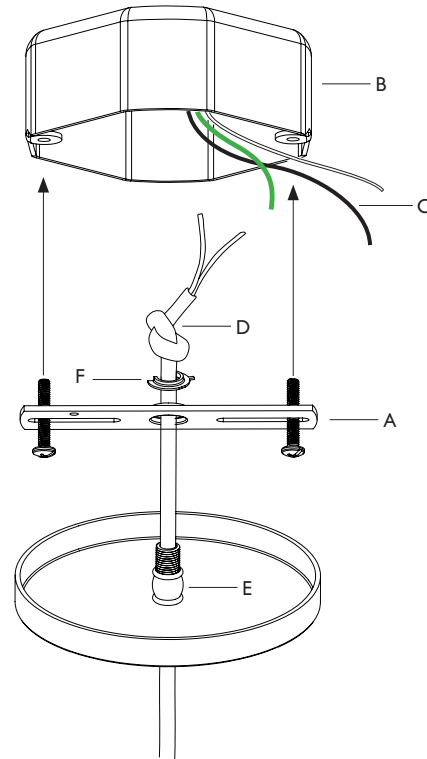
*Note: Please contact a licensed electrician.*

1. Install the crossbar (A) using #8-32 screws to junction box (B). It is recommended to pull the main wires out so they are accessible while making the main connection later (C).

2. Cut the electrical cable (D) to desired length and feed through the bushing in the ceiling canopy (E) and the crossbar.

3. Tie a knot in the cable above the crossbar. Crimp the C-shaped strain relief (F) just below the knot and make electrical connections.

4. Secure the canopy flush to the ceiling by screwing into crossbar.



5. For second hanging point, secure the cable gripper to the ceiling using the drywall anchors (A) and wood screws (B) provided.

6. Feed the cable through the hole of the cable gripper (C) and through the slotted area. Pressing the center pin allows the cable to be released. Be sure to support fixture while pressing pin. Adjust to desired length.

7. Once desired height is found, clip the excess cable and tuck the end into the gripper.

