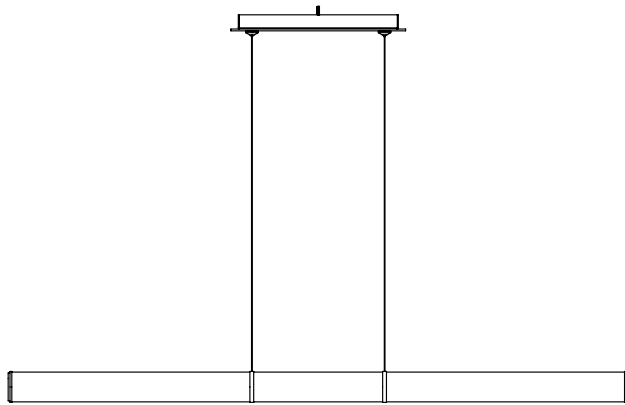


## CONTENTS

---

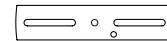
Mini Endless Pendant 63"



8-32 Screws (2)



1/4-20 Crossbar



1/4-20 Bolt



## SAFETY INFORMATION

---

Only suitable for direct mounting on non-combustible surfaces.  
Under no circumstances can Mini Endless Fixtures be mounted on normally flammable surfaces.  
Suitable for dry, indoor use only.  
Maximum ambient temperatures: 25° C

## CEILING INSTALLATION | MINI ENDLESS PENDANT 63"

*Note: Please contact a licensed electrician.*

*Note: Make sure power is off during installation*

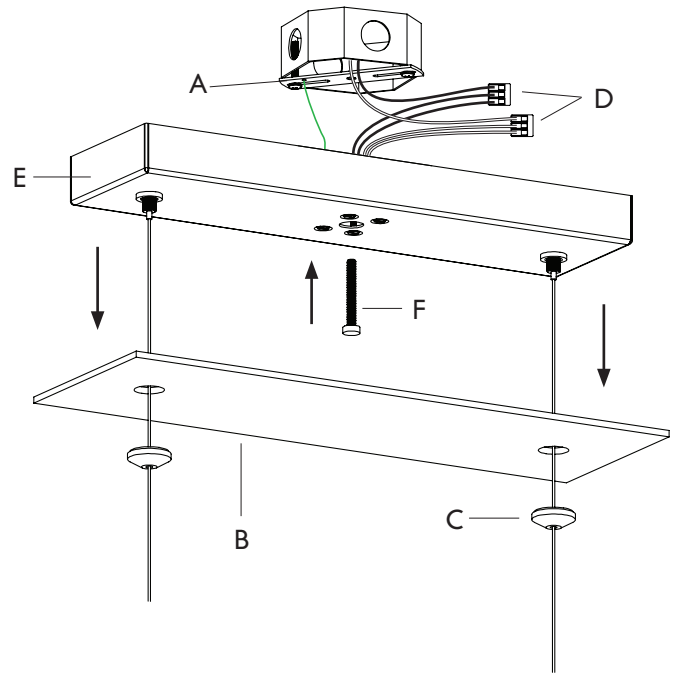
1. Make sure power is turned off during installation so there is no power running through the fixture until complete.

2. While supporting weight of fixture, install crossbar (A) using two provided 8-32 machine screws into junction box.

3. Remove canopy cover plate (B) by unscrewing the threaded cord caps (C).

4. Lower the canopy cover plate out of the way and make lead wire connections (D) to the 3-port wagos.

5. Secure the canopy (E) to the junction box with center bolt (F).



6. To adjust height of fixture, push the end of the cable gripper (G) up to release cable. Adjust one at a time to support weight of fixture. Once at the desired length, level fixture.

7. Re-attach the canopy cover plate by sliding up and threading on the cord caps.

