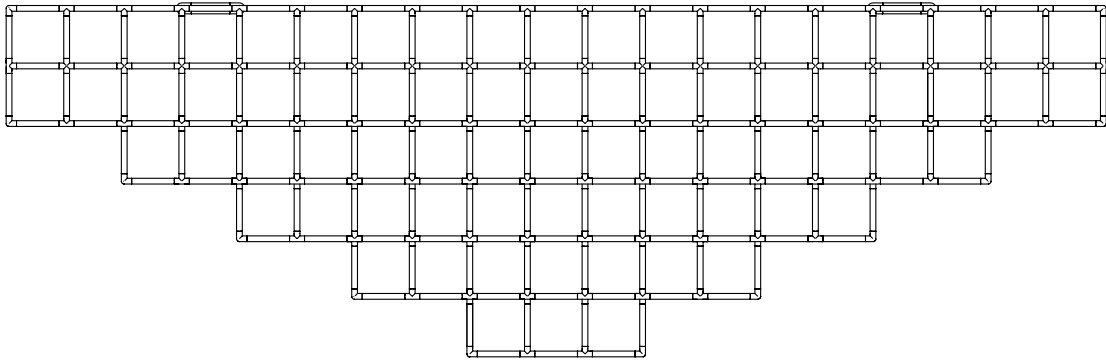
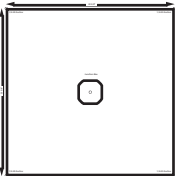

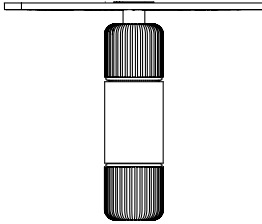
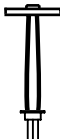



CONTENTS

Gridlock 5640



<p>Installation Template</p> 	<p>8-32 Screws (2)</p> 	<p>Canopy assembly</p> 
<p>1/4 20 Anchor x4</p> 	<p>1/4 20 Bolt x4</p> 	

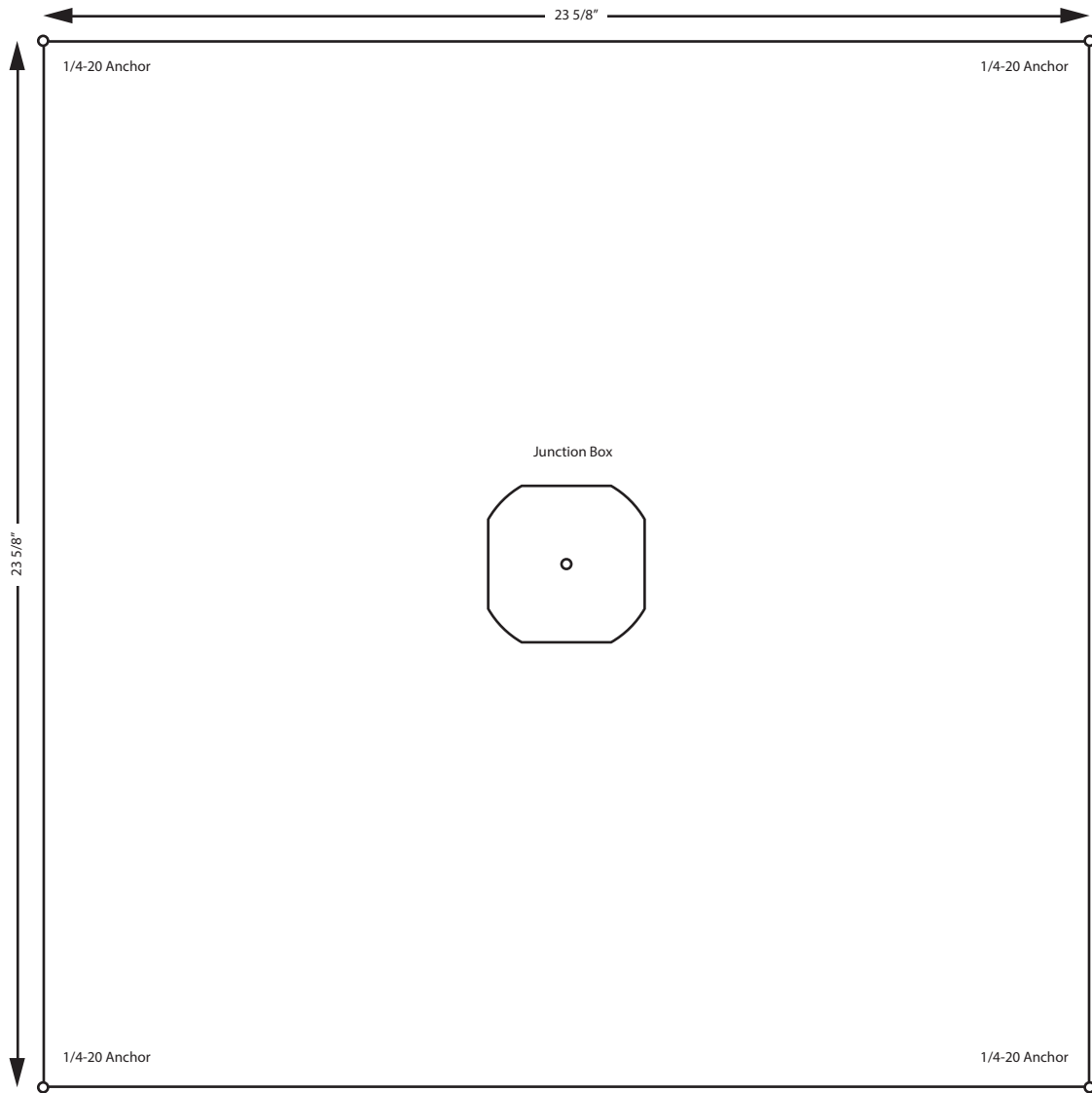
SAFETY INFORMATION

Only suitable for direct mounting on non-combustible surfaces.
Under no circumstances can Gridlock Pendants be mounted on normally flammable surfaces.
Suitable for dry, indoor use only.
Maximum ambient temperatures: 25° C

GRIDLOCK 5640 | CEILING INSTALLATION

Note: Please contact a licensed electrician.

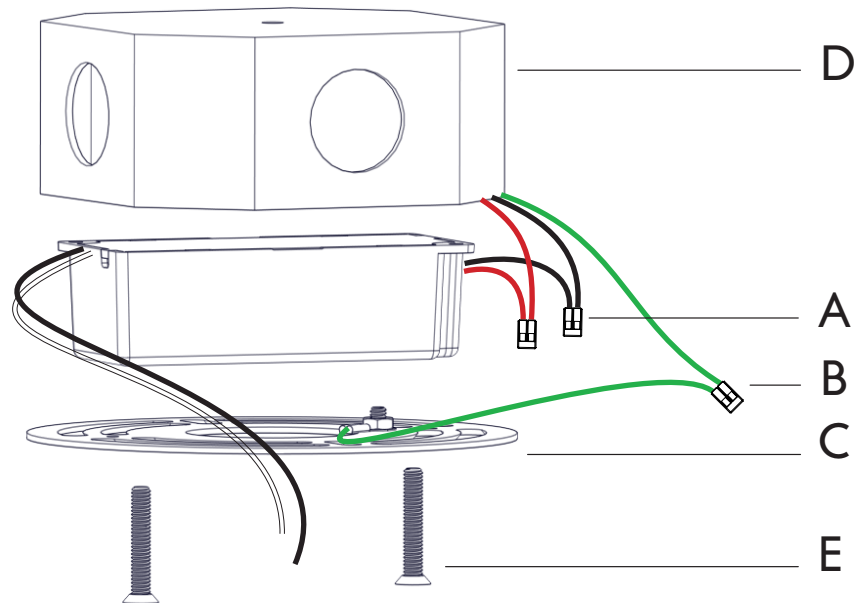
1. Using supplied template place 1/4 20 anchors in the ceiling at corners of template, keeping the junction box dead center in the template



GRIDLOCK 5640 | CEILING INSTALLATION

Note: Please contact a licensed electrician.

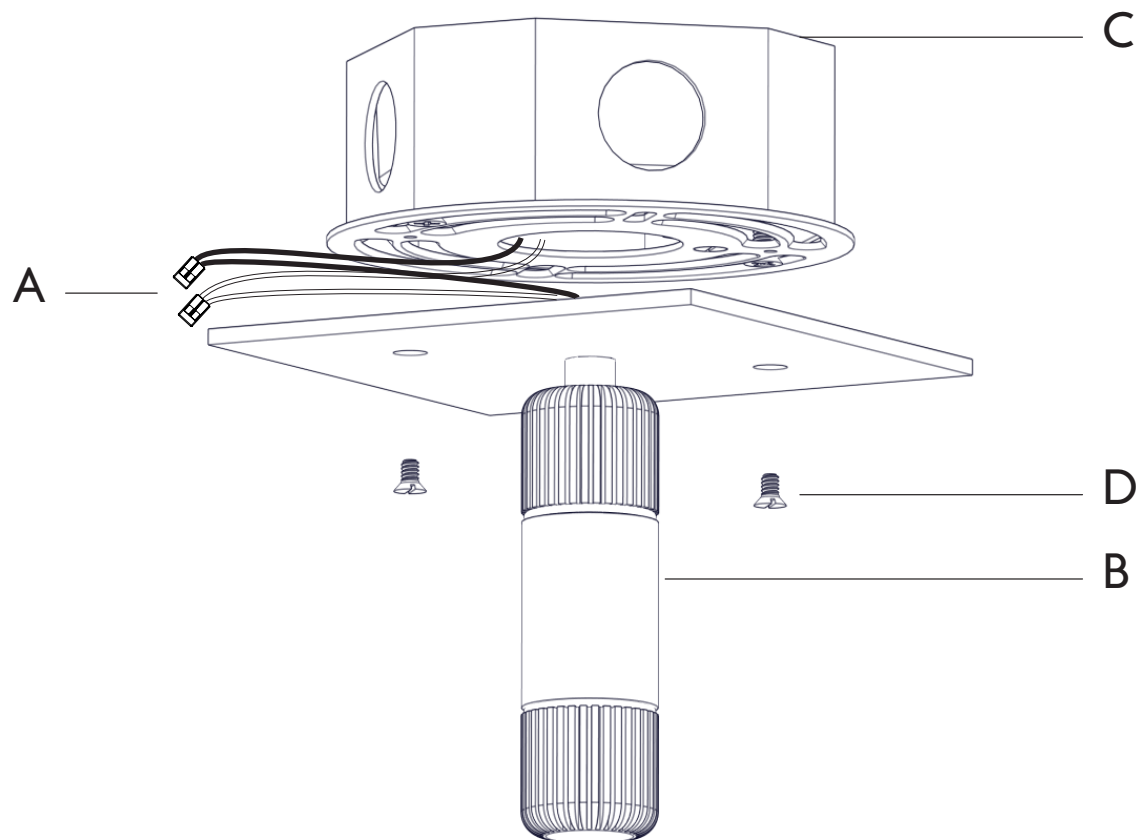
1. Make wire connections from driver to ceiling (A) and ground wire (B) as shown.
2. Secure crossbar (C) to junction box (D) using provided 8/32 screws (E) tucking driver and all wires inside junction box (D)



GRIDLOCK 5640 | CEILING INSTALLATION

Note: Please contact a licensed electrician.

3. Make wire connections from fixture to driver (A)
4. Secure the fixture (B) to junction box (C) using the provided screws (D)



GRIDLOCK 5640 | CEILING INSTALLATION

Note: Please contact a licensed electrician.

1. Affix shade to ceiling using provided 1/4 20 screws (A), putting them through the four mounting plates in the fixture shade and aligning them with the anchors you have previously installed

