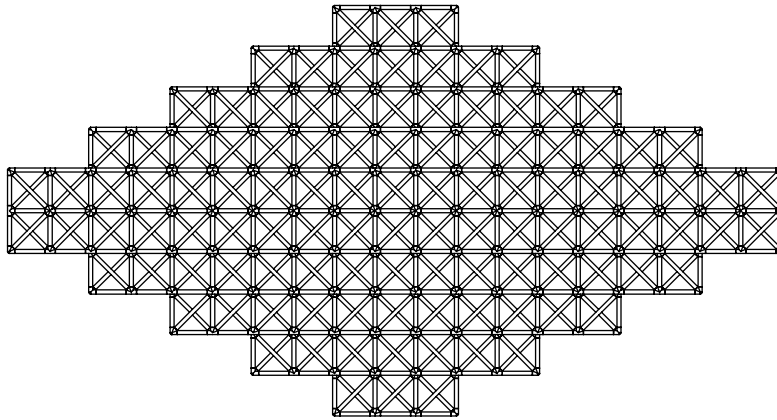


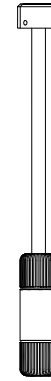
## CONTENTS

Updated 17DEC2019

Gridlock shade (x1)



LED Stem (x1)



8-32 Screws (x2)



Toggle wing anchor (x6)



Threaded Stem (x1)



Wood screw (x6)



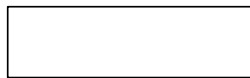
Long 8-32 screw (x6)



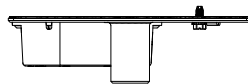
Cover tube (x1)



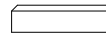
Canopy (x1)



Ceiling assembly (x1)



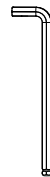
Threaded nut (x2)



Sheet Metal screw (x6)



Hex Key (x1)



## SAFETY INFORMATION

Only suitable for direct mounting on non-combustible surfaces.  
 Under no circumstances can Gridlock Pendants be mounted on normally flammable surfaces.  
 Suitable for dry, indoor use only.  
 Maximum ambient temperatures: 25° C

## GRIDLOCK 1912, 4059, 7440 | CEILING INSTALLATION

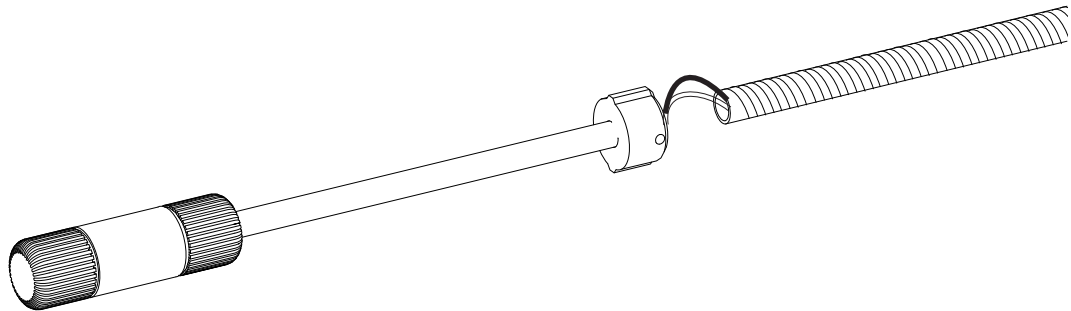
---

*Note: Please contact a licensed electrician.*

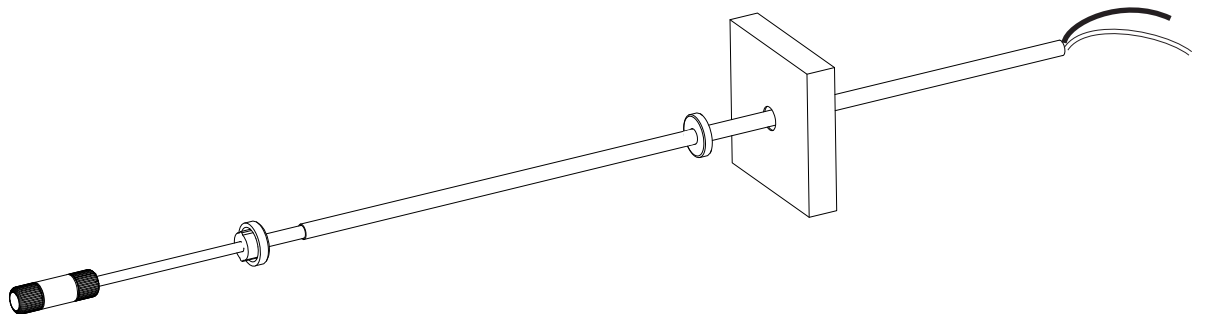
1. Cut the Cover tube 0.75" shorter than the Threaded tube.



2. Run the wire through the threaded tube. Thread the LED stem onto the threaded tube and lock it by fastening the set screw with the provide key.



3. Slide the cover tube onto the threaded tube, and stackup the two threaded nuts + canopy with the order and orientation shown below:

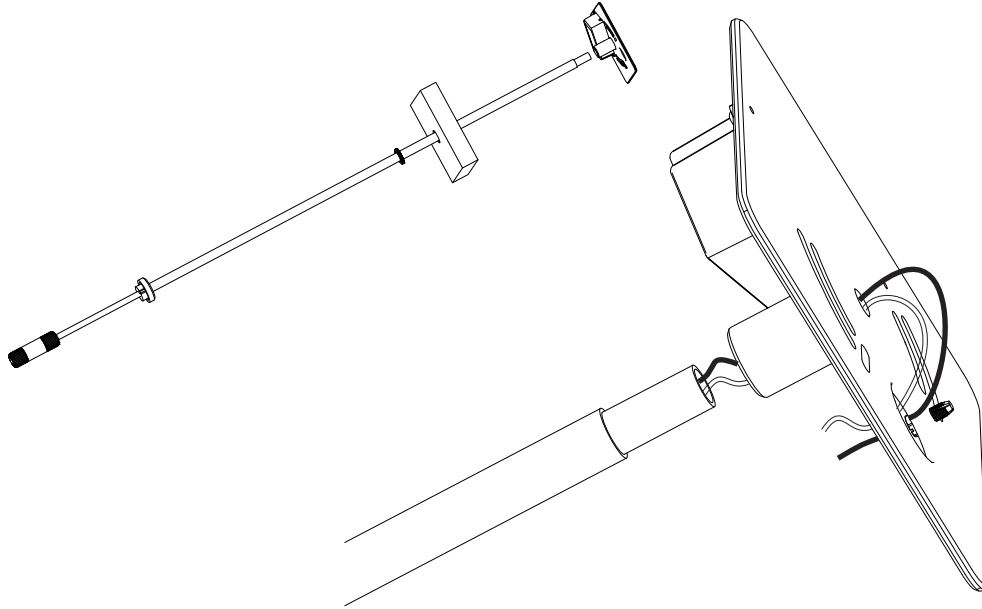


## GRIDLOCK 1912, 4059, 7440 | CEILING INSTALLATION

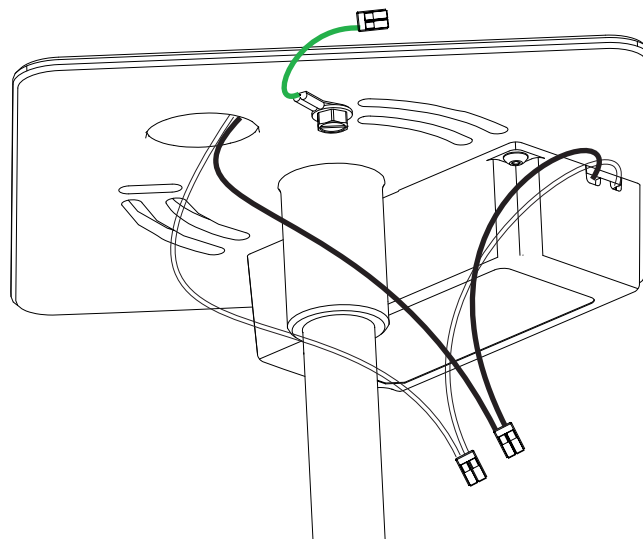
---

*Note: Please contact a licensed electrician.*

4. Run the wires through the center hole. Thread the LED stem assembly to the ceiling assembly until it bottoms out. Route the wires back through the other opening as shown below.



5. Make the connection between the LED stem and the driver by connecting with the provided wagos

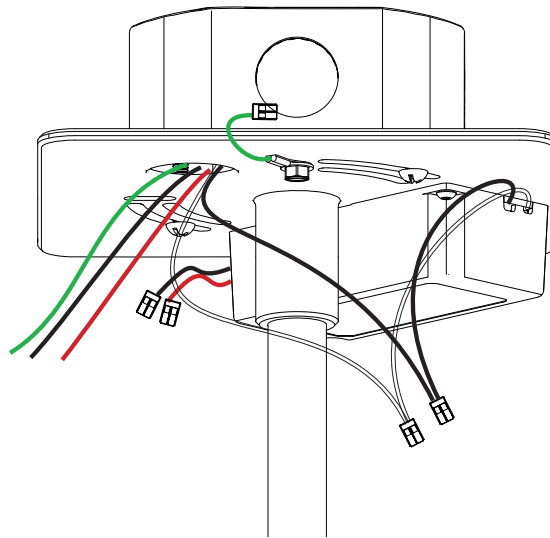


## GRIDLOCK 1912, 4059, 7440 | CEILING INSTALLATION

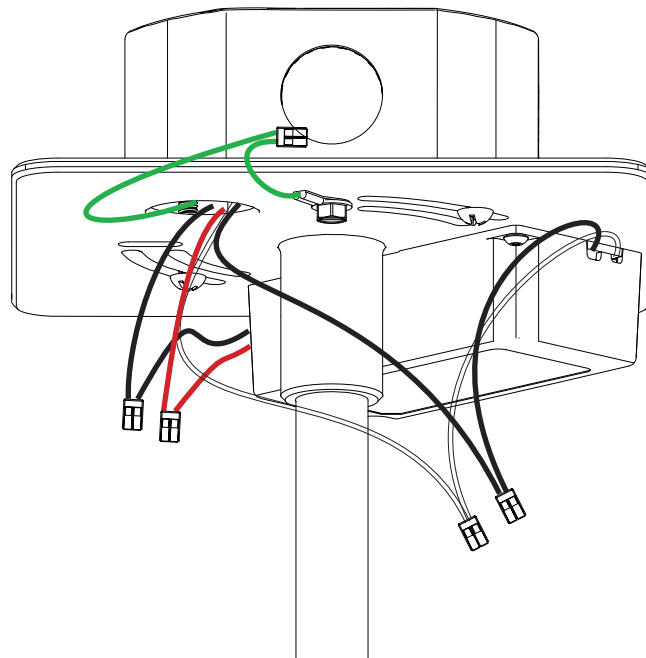
---

*Note: Please contact a licensed electrician.*

6. Run the ceiling wires through the crossbar and fasten the assembly to the ceiling J-Box using 2x 8-32 screws provided  
Use the provided Toggle anchors and screws as necessary to secure the fixture to the ceiling.



7. Make the electrical connection between the J-box and fixture.

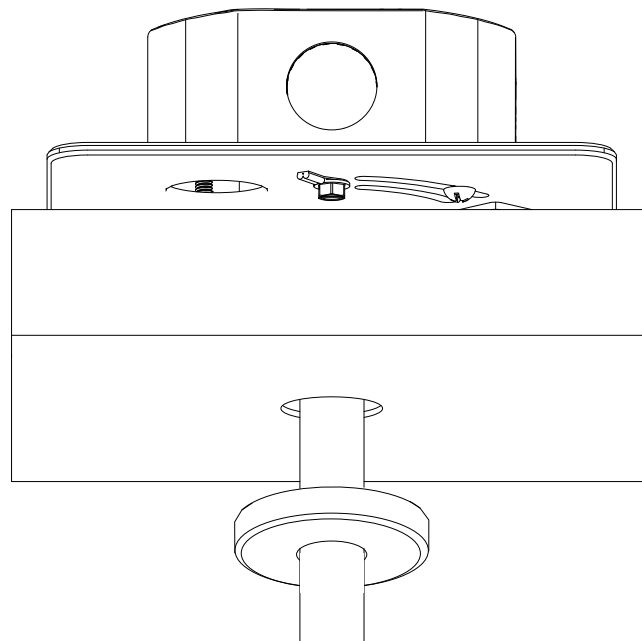


## GRIDLOCK 1912, 4059, 7440 | CEILING INSTALLATION

---

*Note: Please contact a licensed electrician.*

7. Raise the canopy and lock it in place with the nut.



## GRIDLOCK 1912, 4059, 7440 | CEILING INSTALLATION

---

*Note: Please contact a licensed electrician.*

8. Bring the Gridlock shade (B) up through the middle and capture the nut (C) between the threaded collar (D) and clamp (E) by threading them together.

