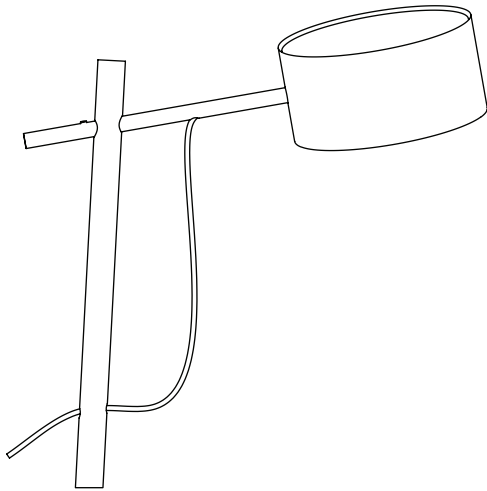


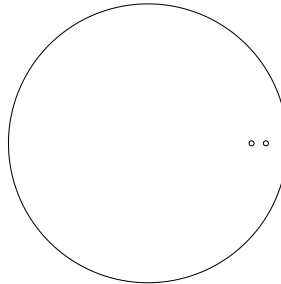
## CONTENTS

---

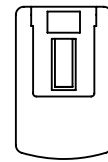
Excel Desk Lamp



Base



USB Driver



(x2) Machine Screws



(x5) Driver Adapters



## SAFETY INFORMATION

---

Only one light bulb per socket.

Only suitable for direct mounting on non-combustible surfaces.

Under no circumstances can Excel fixtures be mounted on normally flammable surfaces.

Suitable for dry, indoor use only.

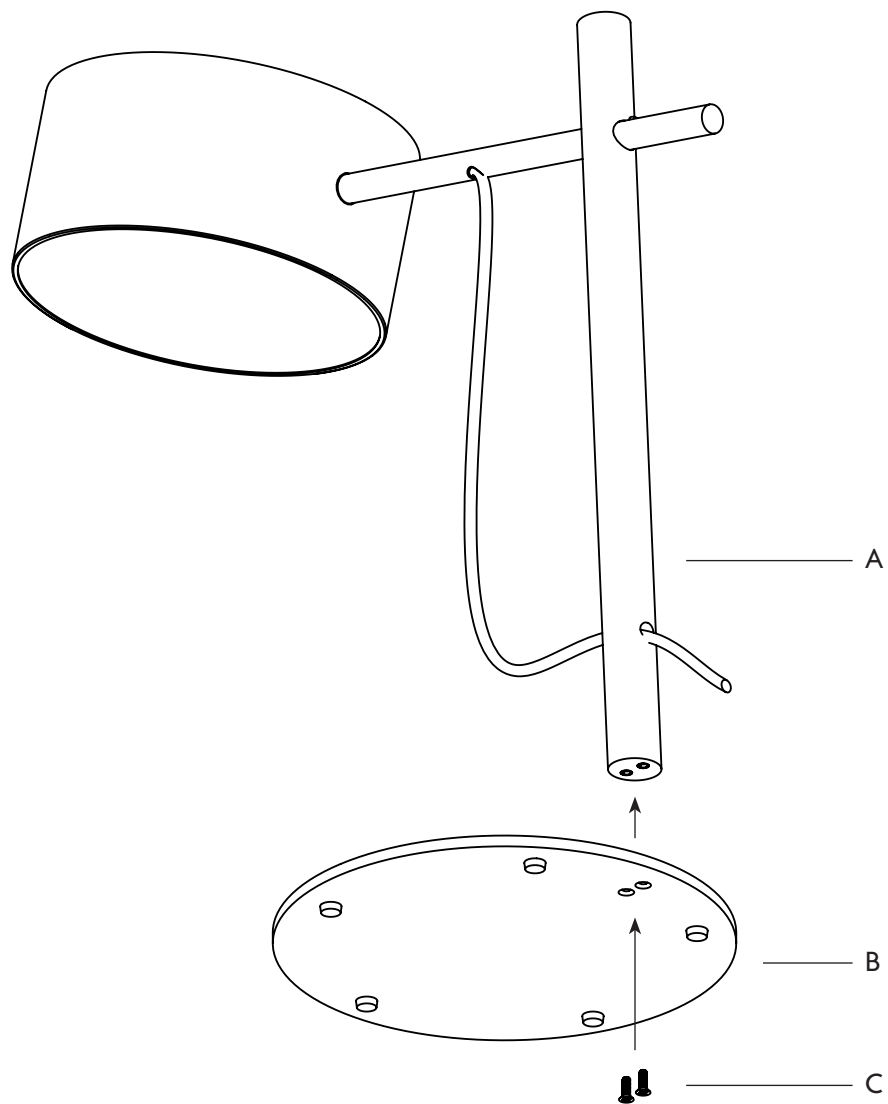
Maximum ambient temperature: 25° C

If the external flexible cable or cord of this luminaire is damaged, it shall be exclusively replaced by Roll & Hill or Roll & Hill's service agent or a similarly qualified person in order to avoid hazard.

## INSTALLATION | ATTACHING THE BASE

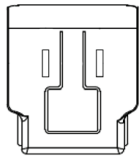
---

1. Attach desk lamp (A) to base (B) using x2 provided machine screws (C).

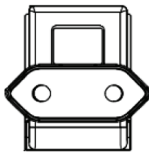


## INSTALLATION | POWER & DIMMING

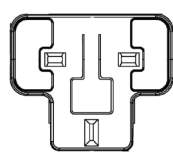
1. Find the suitable driver adapter for your country's outlet type.



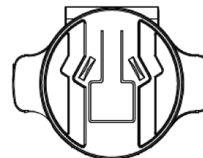
*North America*



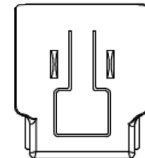
*Europe*



*United Kingdom*



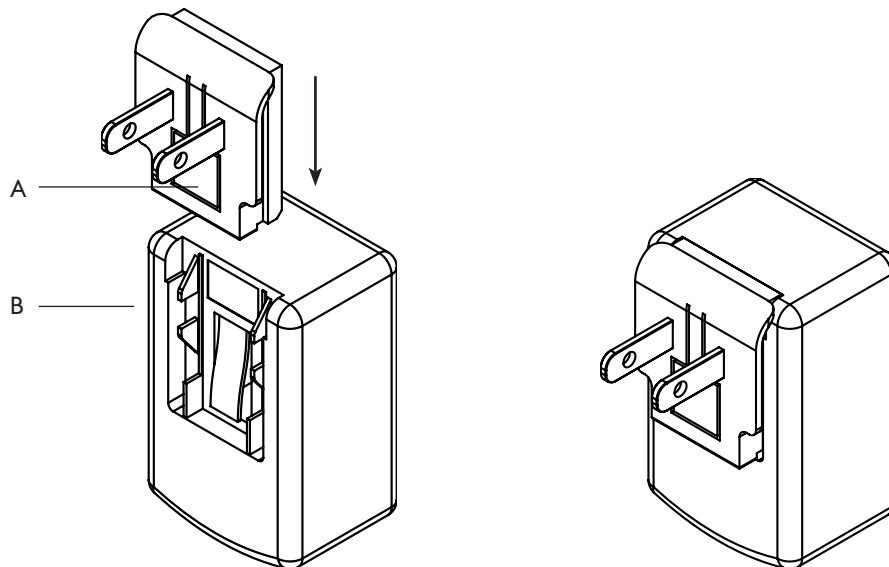
*Australia*



*China*

2. Slide driver adapter (A) into USB driver (B) until it clicks into place.

3. To remove a driver adapter, press on the flexible tab on the adapter (A) and slide it out of the USB driver (B).



4. Use the switch button to turn it on and off (C)

