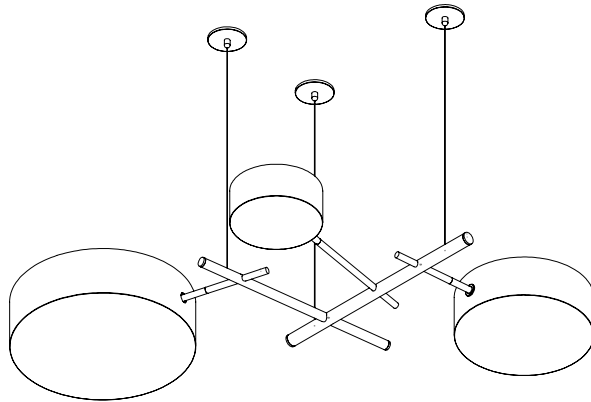
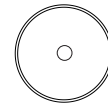


CONTENTS

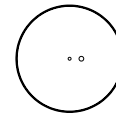
Excel Chandelier



Secondary Canopy (2)



Primary Canopy



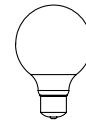
Crossbar (3)



Cable Gripper (3)



Bulbs (5)



Incandescent 120V
 (bulbs included)
 Incandescent 240V
 (bulbs not included)

8-32 Screw (6)



10/32 Set Screws (3)



10/32 Socket Cap Screws (3)



Allen Key



SAFETY INFORMATION

Only one light bulb per socket.

Only suitable for direct mounting on non-combustible surfaces.

Under no circumstances can Excel fixtures be mounted on normally flammable surfaces.

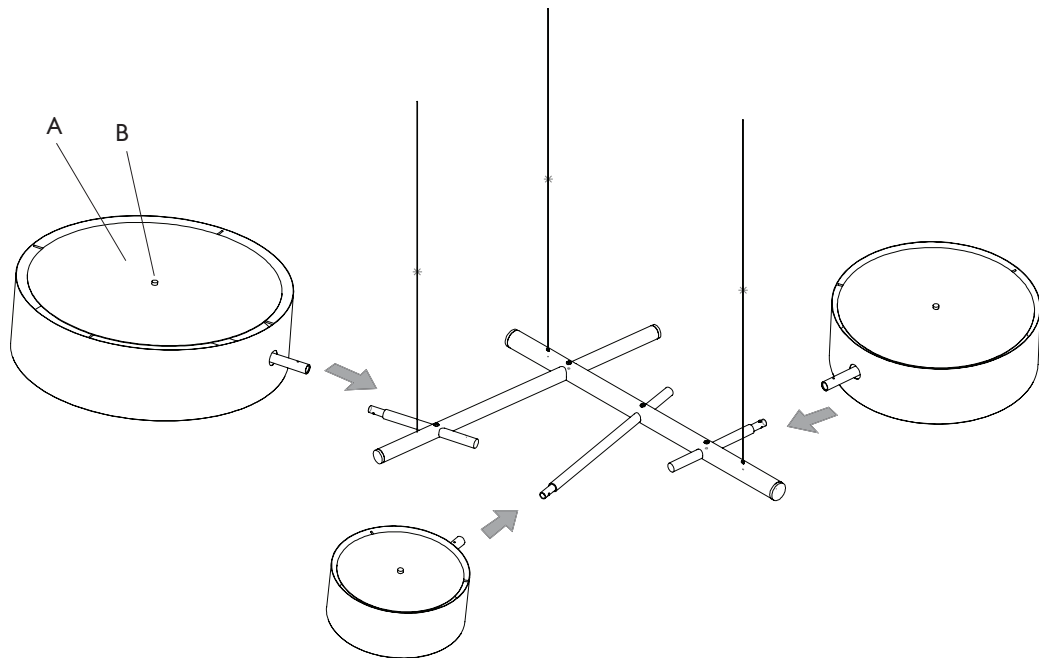
Suitable for dry, indoor use only.

Maximum ambient temperature: 25° C

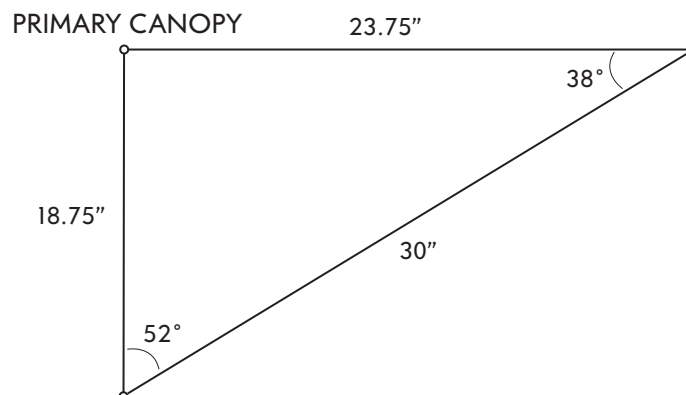
EXCEL CHANDELIER | ASSEMBLY

*Note: Please contact a licensed electrician.
Note: Do not use bulbs that exceed 60 watts.*

1. Unpack chandelier frame from package 1 of 2.
2. Unpack shades from package 2 of 2.
3. Remove shade top diffuser (A) by unscrewing shade nut (B).
4. Locate shade position in relation to chandelier frame.

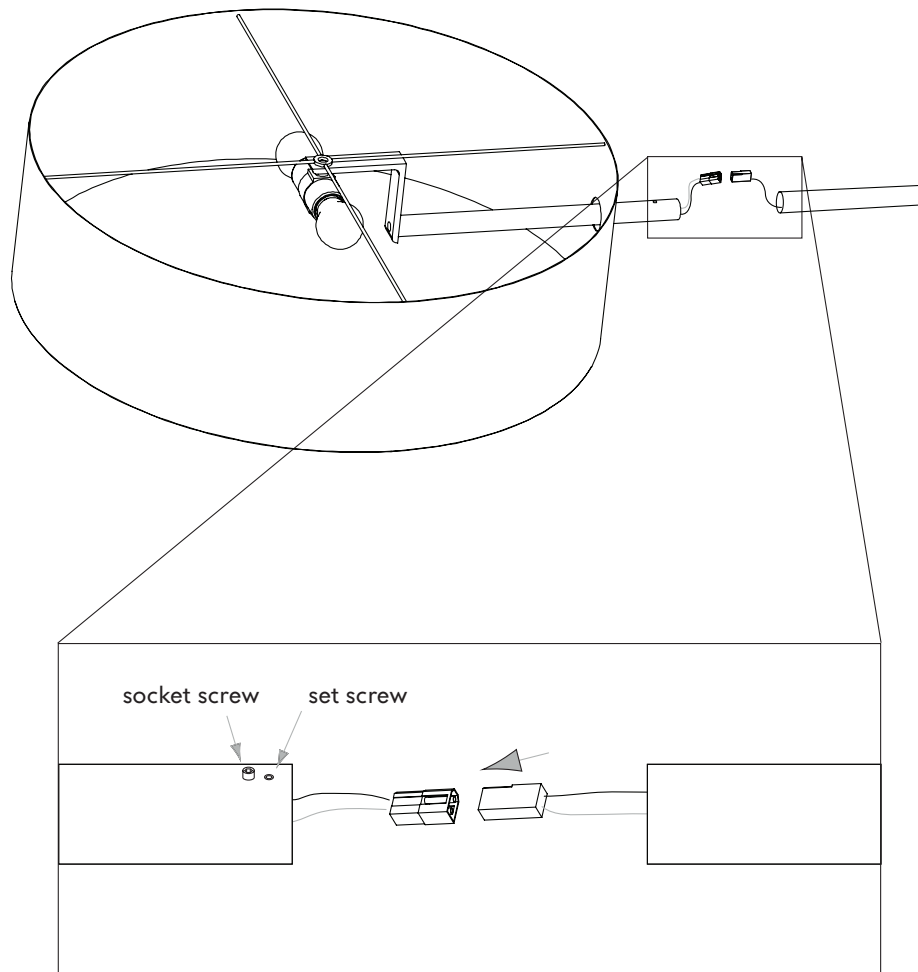


5. Prepare ceiling for installation by marking three hanging points. There will be three canopies, one primary which houses the junction box and electrical connections, and two anchored secondary canopies.



EXCEL CHANDELIER | ASSEMBLY

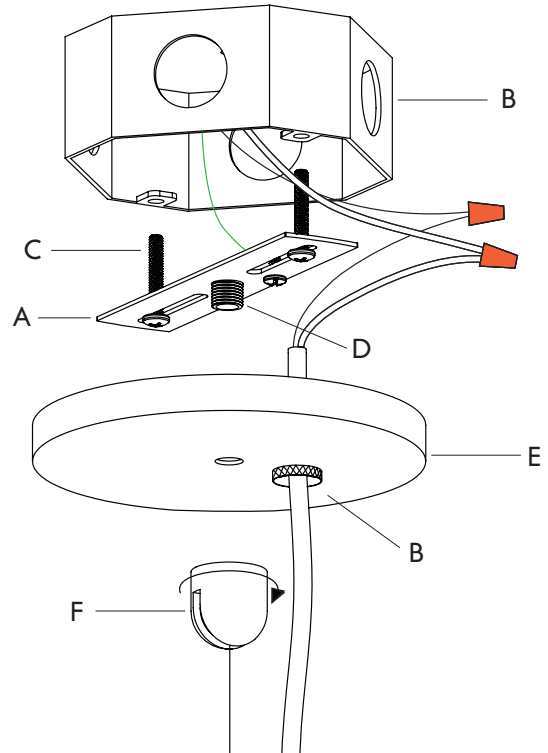
6. For each shade a wire push connector must be mated with its corresponding push connector on the chandelier frame.
7. Once the electrical connection is made with the push connectors, feed any slack in the wire into the shade arm.
8. Connect shade arm to chandelier frame, and lock into desired position with #10 set screw & socket screws provided.
9. Repeat push connection procedure for all three shades.



EXCEL CHANDELIER | CEILING INSTALLATION

Note: Please contact a licensed electrician.
Note: Do not use bulbs that exceed 60 watts.

1. Attach crossbar (A) to junction box (B) in ceiling with provided #8-32 screws (C).
2. With chandelier supported from below, thread the power cord through the larger hole in the primary canopy (E) and connect lead wires in junction box.
3. Screw nipple (D) into crossbar and cover with canopy (E). Screw the hangstraight (F) onto the nipple until the canopy is flush to ceiling.
4. Measure and cut the suspension cable to the desired length.



5. Push the suspension cable into the hang straight hole and pull on it to make sure it is secure. To release the cable, push down on the hang straight hole and pull.

6. For remaining 2 secondary canopies, wire connections are unnecessary. Secure to ceiling by screwing crossbar directly to ceiling and repeat steps 1-6.

