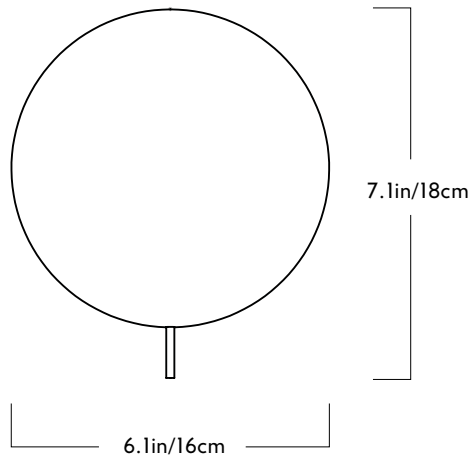
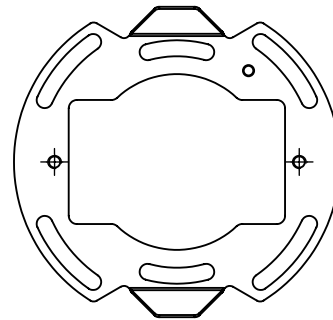


CONTENTS

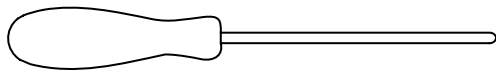
Eclipse



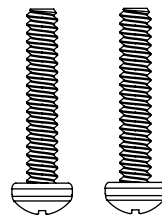
Crossbar



Hex Wrench



Crossbar Screws 8/32



Set Screw



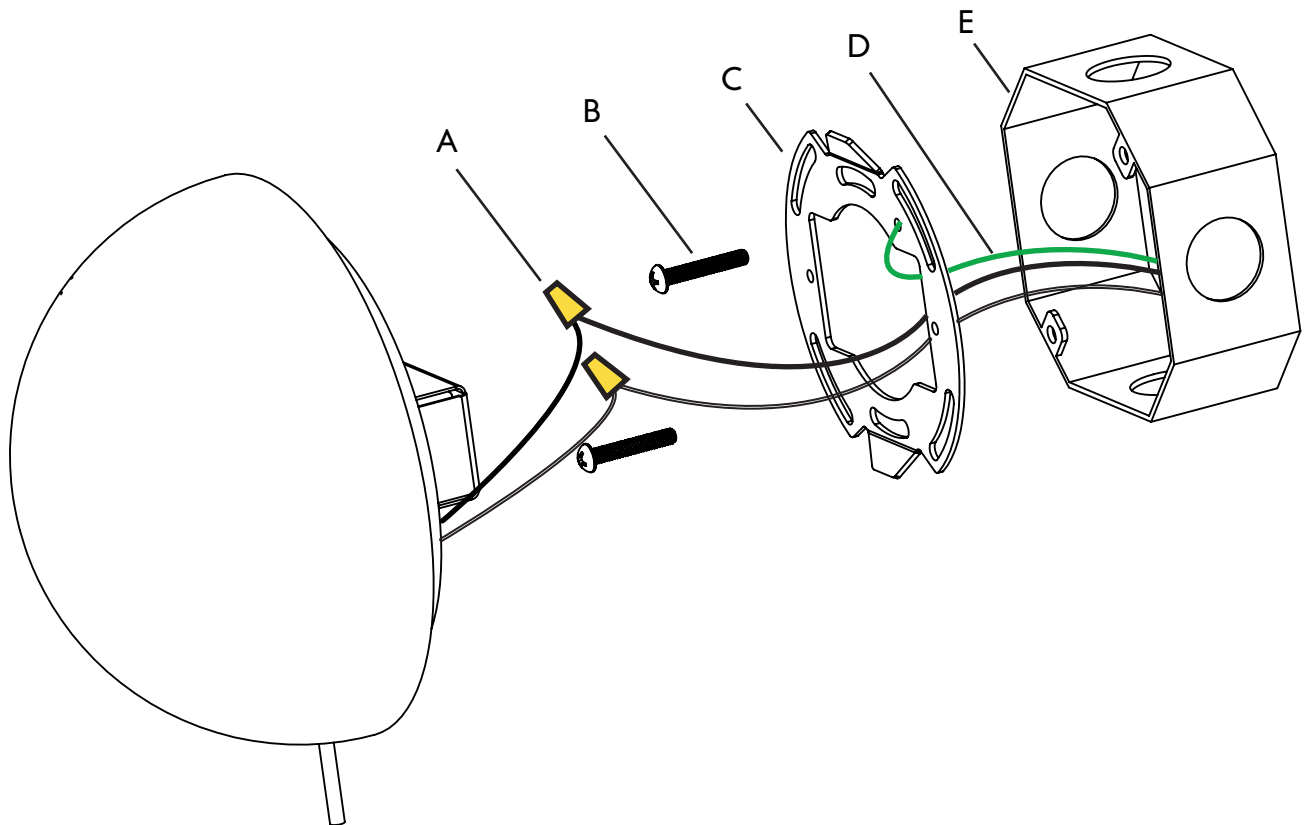
SAFETY INFORMATION

Only suitable for direct mounting on non-combustible surfaces.
Under no circumstances can Halo Chandeliers be mounted on normally flammable surfaces.
Suitable for dry, indoor use only.
Maximum ambient temperatures: 25° C

INSTALLATION | ECLIPSE

Note: Please contact a licensed electrician.

1. Affix crossbar (C) to Junction box (E) using 8/32 screws (B) Make sure tabs on crossbar are facing out and vertical
2. Make electrical connections as shown (A) connect ground wire to screw on crossbar (D)
3. Tuck electrical wires into the junction box (E)



INSTALLATION | ECLIPSE

Note: Please contact a licensed electrician.

4. Hang the backplate of the fixture on the top hook of the crossbar (A)
5. Pivot bottom end toward wall and secure with included set screw (B)

