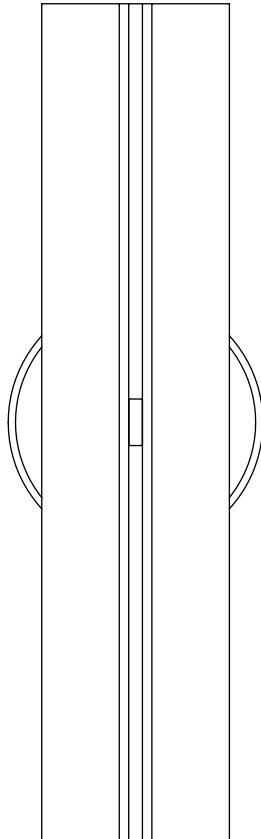


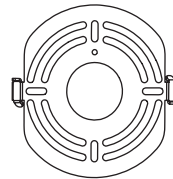
## CONTENTS

---

Delta 18" Sconce



Crossbar



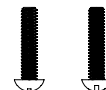
(x5) Wago Connector



(x2) Set Screws



(x2) #8-32 Screws



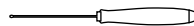
Green Ground Screw



Terminal Ring and Ground wire



Hex Key



LED driver



## SAFETY INFORMATION

---

Only one light bulb per socket.

Only suitable for direct mounting on non-combustible surfaces.

Under no circumstances can Delta 18" Sconce be mounted on normally flammable surfaces.

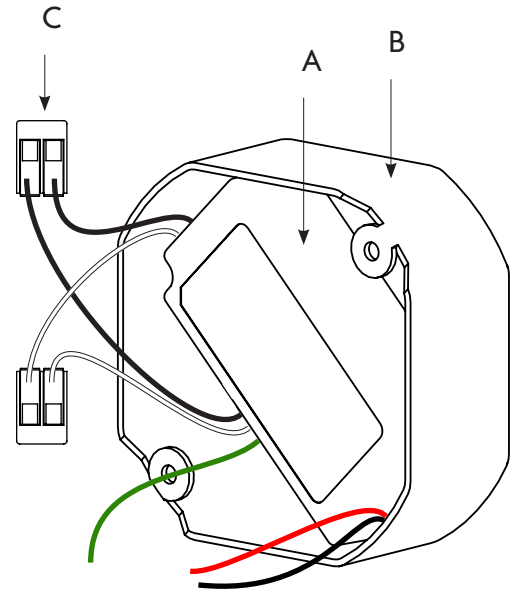
Suitable for dry, indoor use only.

Maximum ambient temperatures: 25° C

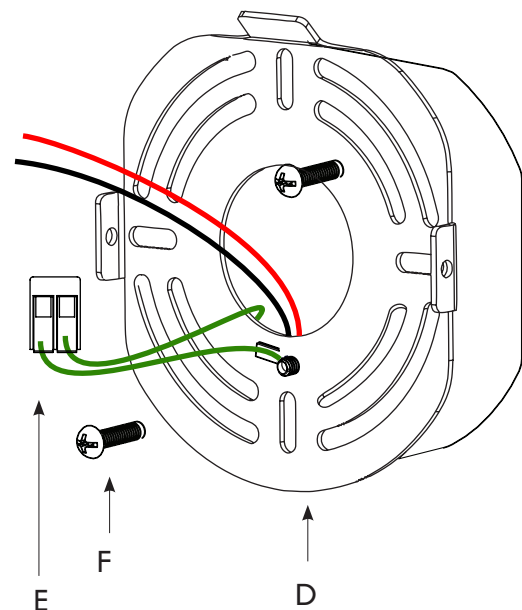
## DELTA 18" SCONCE | INSTALLATION

*Note: Please contact a licensed electrician.*

1. Install the driver (A) into the junction box (B) and make the lead wire connections using the provided two port wago (C)



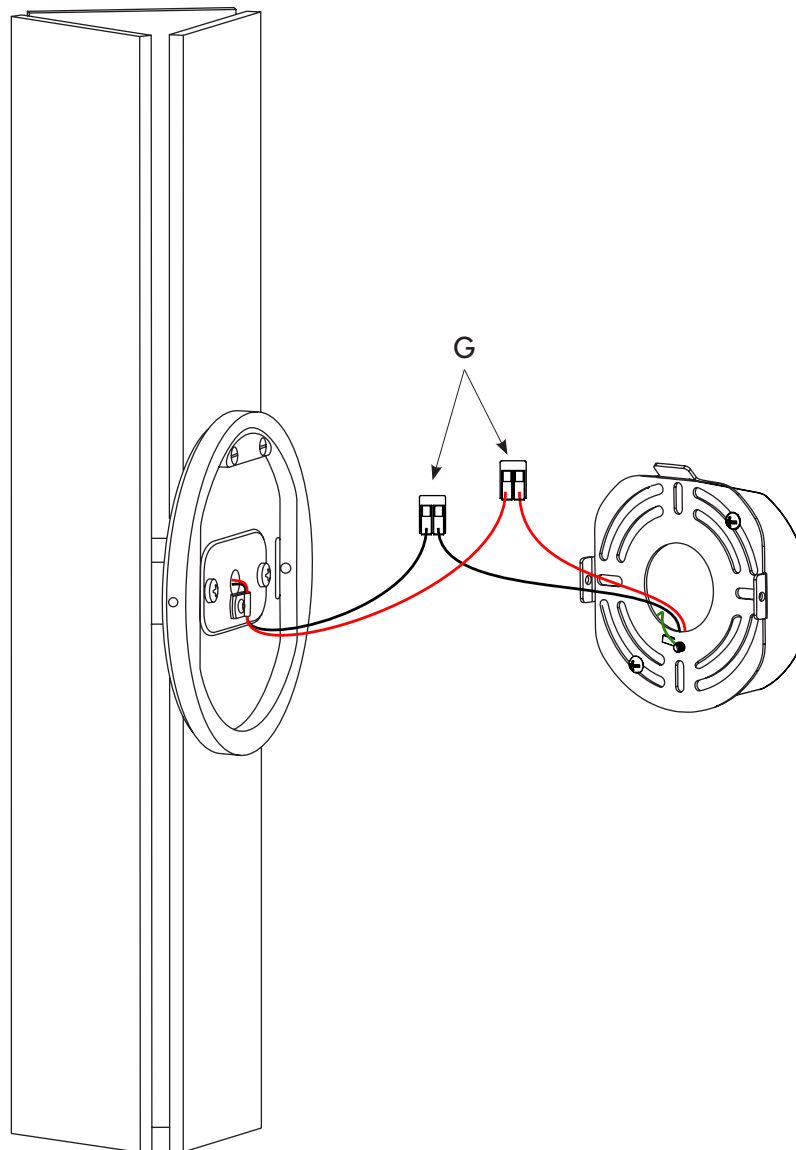
2. Ground the crossbar (D) using the provided two port wago (E).
3. Tuck in the connected wires, and mount the crossbar to the junction box using the provided 8-32 screws (F).
4. Be sure to pull the output driver wires through the crossbar center opening.



## DELTA 18" SCONCE | INSTALLATION

---

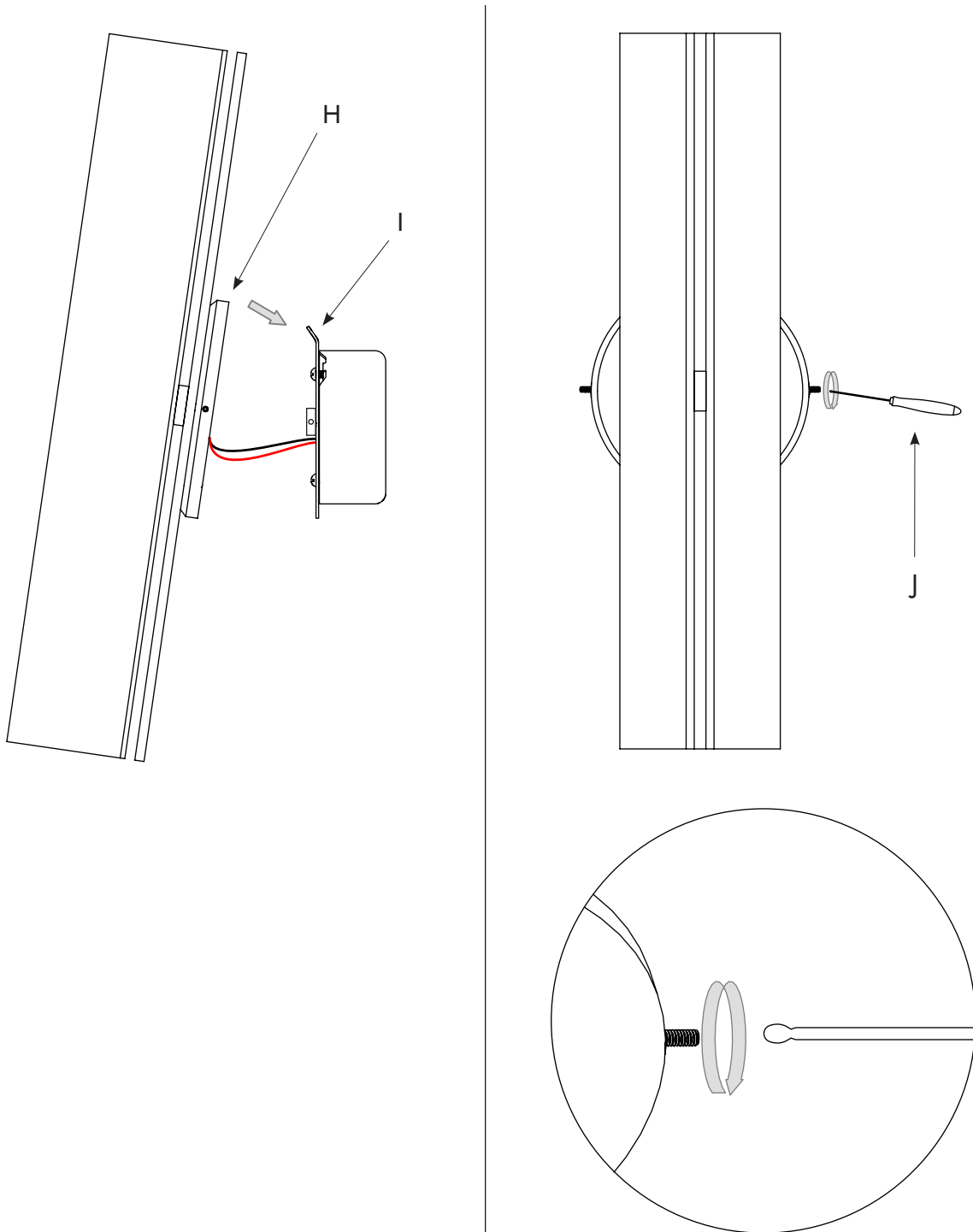
5. Make the wire connection between the fixture and the LED driver using the provided 2 port wagos (G). Then tuck the wires into the J-box.



## DELTA 18" SCONCE | INSTALLATION

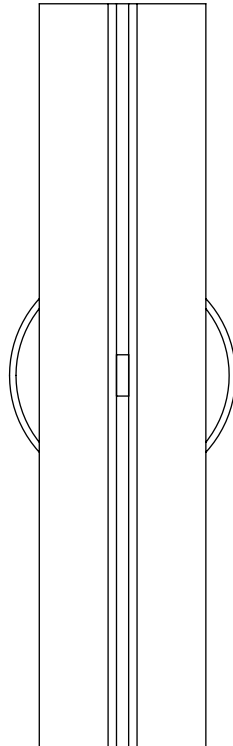
---

6. Hook the fixture backplate (H) onto the french cleat of the crossbar (I).
7. Once the fixture assembly is resting in place, use the provided Hex Key (J) to tight the two side set screws to the crossbar until the backplate is secured.



## CONTENTS

Delta 18" Sconce (240V)



(x2) Set Screws



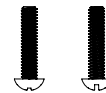
(x5) Wago Connector



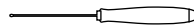
Green Ground Screw



(x2) #8-32 Screws



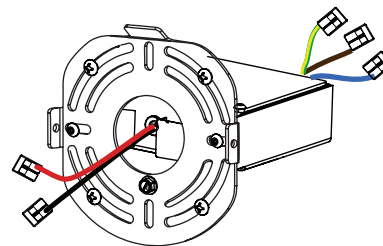
Hex Key



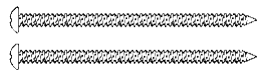
Terminal Ring and Ground wire



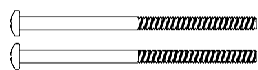
Crosbar with LED driver enclosure assembly



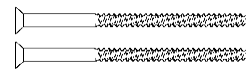
240V screw kit



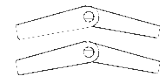
3" #8 wood screws



3" 8-32 pan head screws



3" 18-8 machine screws



8-32 Toggle Wing Anchor

## SAFETY INFORMATION

Only one light bulb per socket.

Only suitable for direct mounting on non-combustible surfaces.

Under no circumstances can Delta 18" Sconce be mounted on normally flammable surfaces.

Suitable for dry, indoor use only.

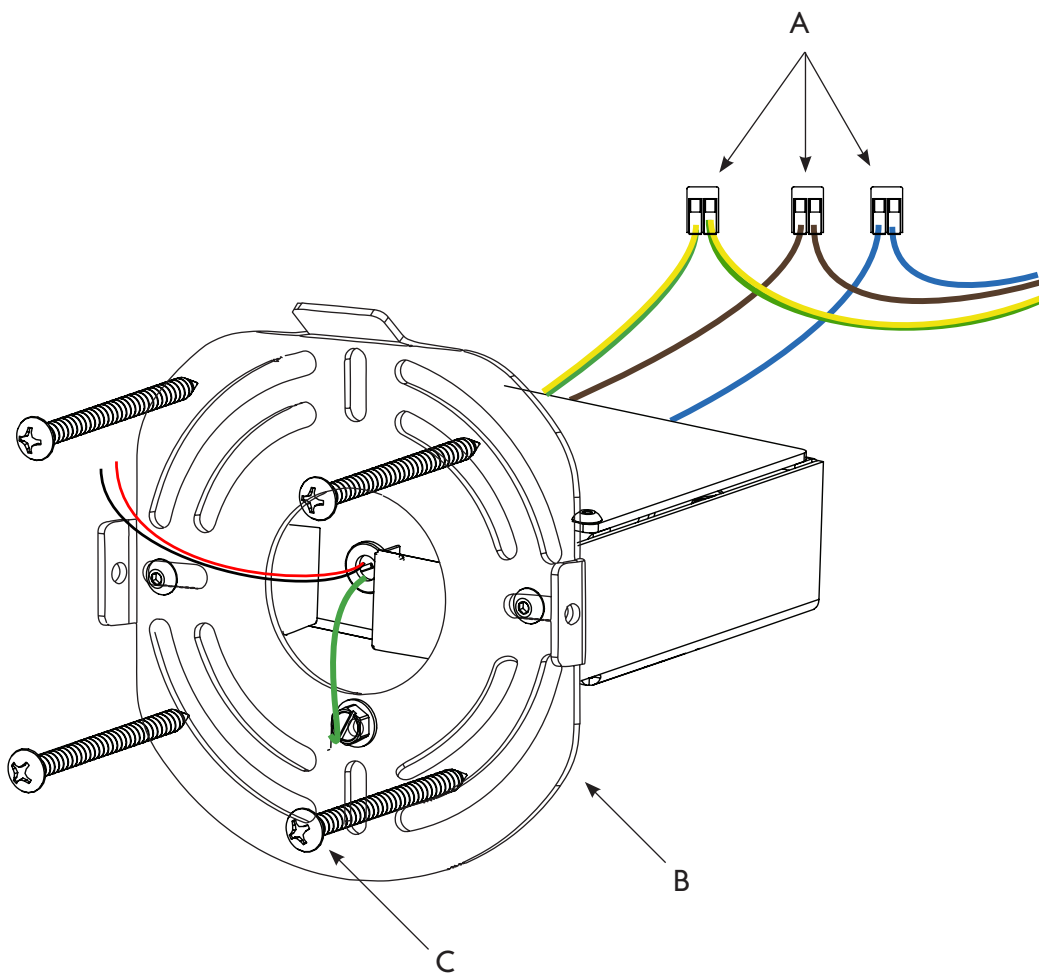
Maximum ambient temperatures: 25° C

## DELTA 18" SCONCE 240V | INSTALLATION

---

*Note: Please contact a licensed electrician.*

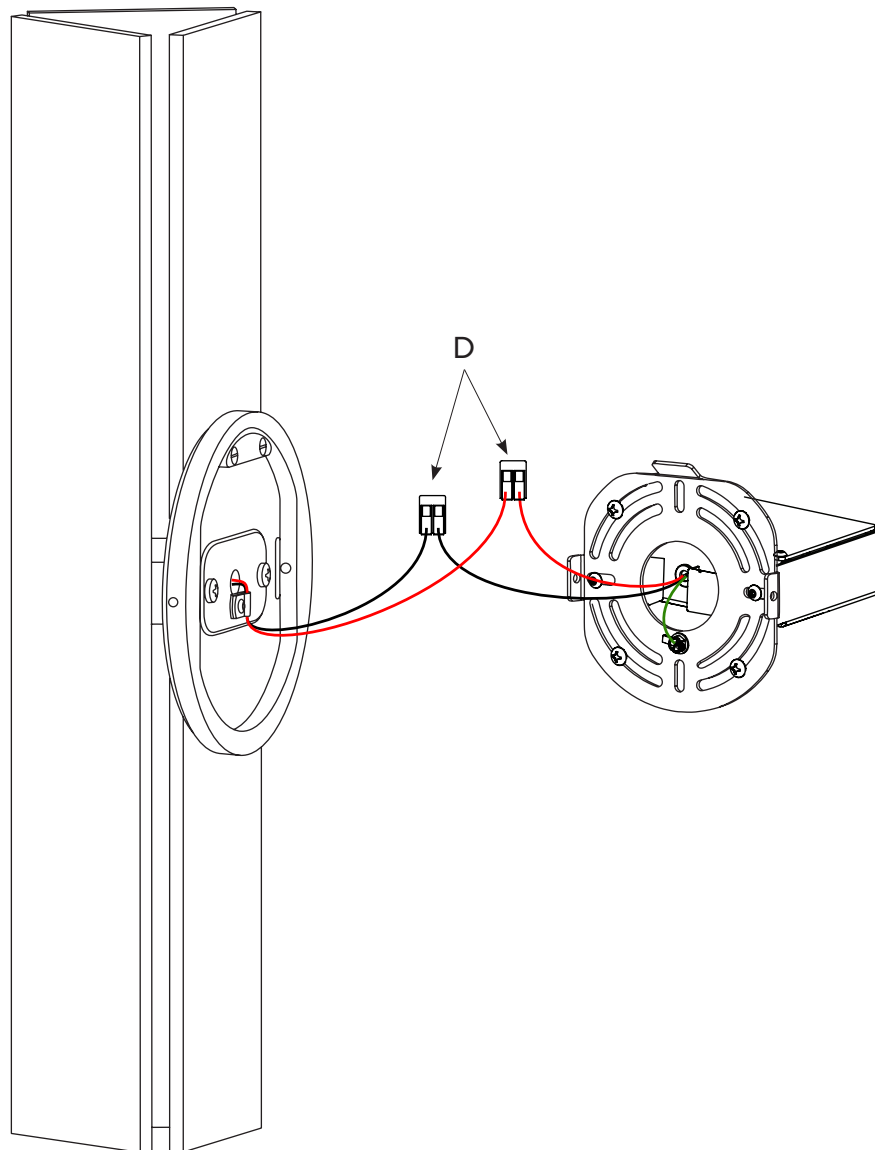
1. Connect the lead wires for 240V using the provided 2 port wagos (A).
2. secure the crossbar with LED driver enclosure (B) to the wall using the provided screws (C).



## DELTA 18" SCONCE 240V | INSTALLATION

---

3. Make the wire connection between the fixture and the LED driver using the provided 2 port wagos (D). Then tuck the wires into the J-box.



## DELTA 18" SCONCE 240V | INSTALLATION

---

6. Hook the fixture backplate (E) onto the french cleat of the crossbar (F).
7. Once the fixture assembly is resting in place, use the provided Hex Key (G) to tight the two side set screws to the crossbar until the backplate is secured.

